

## 19 848 Timeless Single Function Thermostatic Trim with Control Module



### Description

For shower only or shower/tub with diverter applications  
 GROHE TurboStat® Technology  
 Integrated volume control  
 Integrated bypass option when used with diverter tub spout  
 1 axis operation

For use with GrohFlex Universal Rough-In Box  
 35 026 000 sold separately.

### Flow Rate

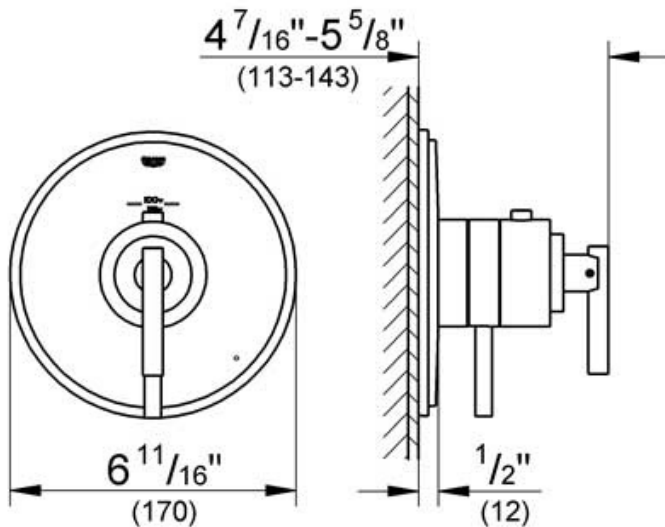
6.6 gpm at 45 psi (25 l/min)

### Code Compliance

ASME/ANSI A112.18.1M  
 CSA Standard B125.1-05  
 ADA Compliant

### Available Finishes

000 Starlight® Chrome  
 EN0 Infinity Brushed Nickel



## 27 247 Massage Shower Head



### Description

---

3 spray patterns  
1/2" Female Threads  
Grohe DreamSpray® Technology  
Grohe SprayDimmer (reduces flow)  
Speedclean® Anti-Lime System  
Spray Adjustable: Normal/Eco/Massage

### Flow Rate

---

2.5 gpm at 80 psi (9.5 lpm)

### Code Compliance

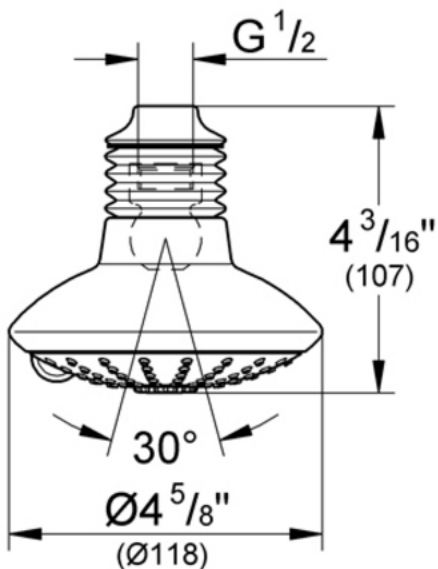
---

ASME/ANSI A112.18.1M

### Finish Options

---

27 247 000 Starlight® Chrome



# Accessories 27 414

## Tubular shower arm



### Description

5 5/8" tubular shower arm  
with flange  
1/2" male threads

### Flow Rate

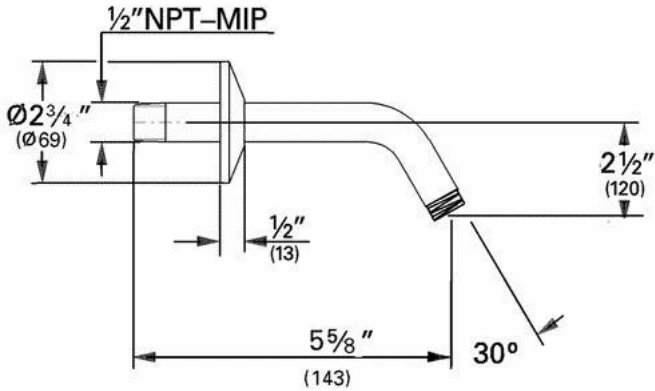
N/A

### Code Compliance

\* ASME/ANSI A112.18.M

### Finish Options

27 414 000 Chrome



## 35 026 Universal Rough-In Box



### Description

- 1/2" inlets and outlets
- Fixing points for front and back wall
- Leakproof housing
- Integrated service stops
- Flushing plug
- Removable protection cover with installation information

For use with the GrohFlex Bathroom Solution Kits (sold separately): Single Function, Dual Function, or Custom Shower.

### Flow Rate

N/A

### Code Compliance

ASME/ANSI A112.18.1M  
CSA Standard B125.1-05

### Available Finishes

000 Rough-In

