

19 866 Timeless Single Function Pressure Balance Trim with Control Module

Description

For shower only or shower/tub with diverter applications
 Integrated bypass option when used with diverter tub spout
 1 axis operation

For use with GrohFlex Universal Rough-In Box 35 026 000 sold separately.

Flow Rate

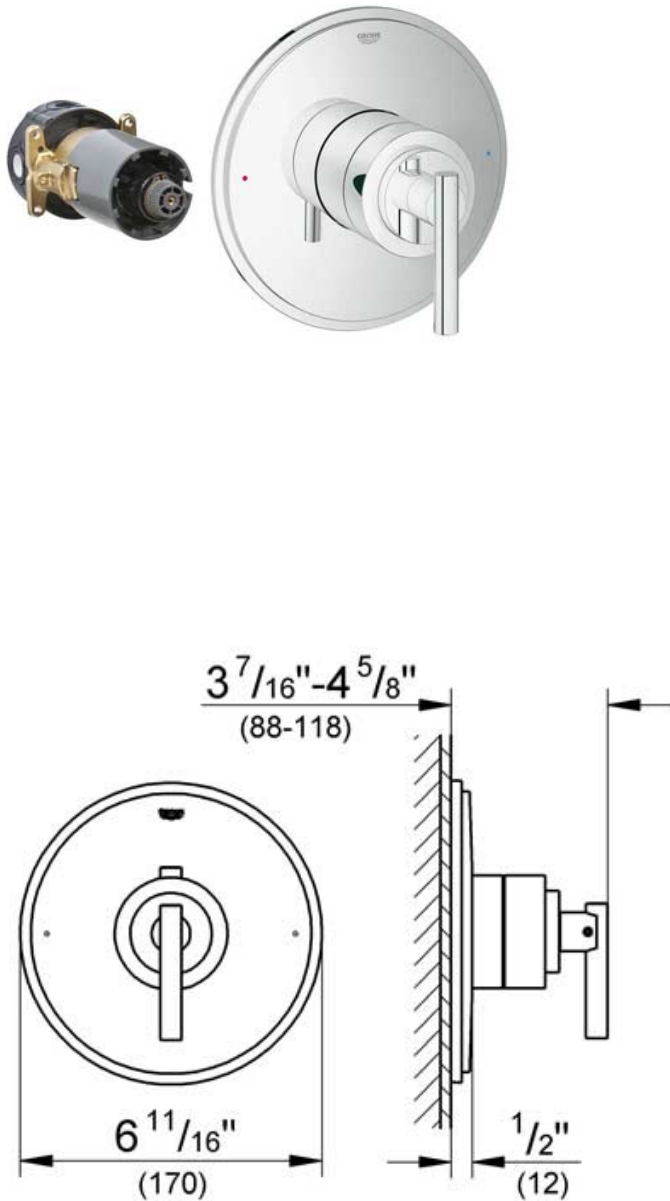
6.6 GPM at 45 psi (25 l/min)

Code Compliance

ASME/ANSI A112.18.1M
 CSA Standard B125.1-05
 ADA Compliant

Available Finishes

000 Starlight® Chrome
 EN0 Infinity Brushed Nickel



35 026 Universal Rough-In Box



Description

- 1/2" inlets and outlets
- Fixing points for front and back wall
- Leakproof housing
- Integrated service stops
- Flushing plug
- Removable protection cover with installation information

For use with the GrohFlex Bathroom Solution Kits (sold separately): Single Function, Dual Function, or Custom Shower.

Flow Rate

N/A

Code Compliance

ASME/ANSI A112.18.1M
CSA Standard B125.1-05

Available Finishes

000 Rough-In

