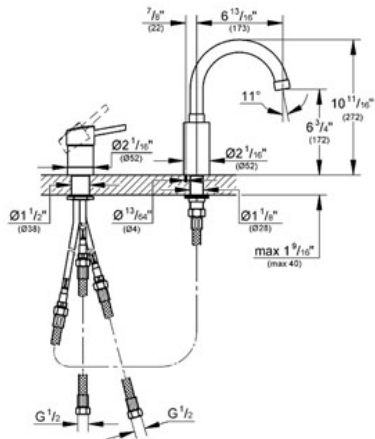


CONCETTO 2-hole Single-Lever Bath Combination

MODEL # 34273

GROHE America, Inc | 200 North Gary Avenue, Suite G, Roselle, IL 60172
Phone: +1 (800) 444-7643 | Fax: +1 (800) 225-2778 | us-customerservice@grohe.com

Pure Freude an Wasser



Product Description:
2-hole Single-Lever Bath Combination

- Standard Specification:**
- GROHE StarLight® finish
 - GROHE SilkMove® ceramic cartridge
 - OHM operating element
 - Pre-assembled spout mounting
 - Swivel bath inlet with flow control

- Applicable Codes & Standards:**
- Energy Policy Act of 1992
 - ASME A112.18.1/CSA B125.1
 - ICC/ANSI A117.1

- Color:**
- 34273 001 chrome
 - 34273 EN1 Brushed Nickel inf

