

# Pull Out Kitchen Faucet Model L1

## Features

- Solid brass construction
- Mounts with or without deck plate
- 1/4 Turn ceramic disc valve cartridges
- 1/2 Male NPS supply connections
- PVD Anti-tarnish finishes (Noted by #)
- Lifetime limited warranty




## Codes/Standards

Specified model meets or exceeds:

- ASME/ANSI A112.18.1M
- CSA B125
- ADA compliance to ANSI A117.1
- NSF 61
- Energy Policy Act of 1992
- IAPMO/UPC listed

## Specified Models:

Model No.	Product Description
 L1	Pull Out Kitchen Faucet

## Finish Codes:

**\* L1 Series Finish Codes**  
(Add to base model number, Example: L1-SS)  
Stainless Steel SS

# = PVD Finish

Giagni reserves the right to make specification and pricing changes without notice or obligation, and to change or discontinue models and finishes.  
All rights reserved. © Giagni 2008

# Pull Out Kitchen Faucet Model L1

## Technical Information

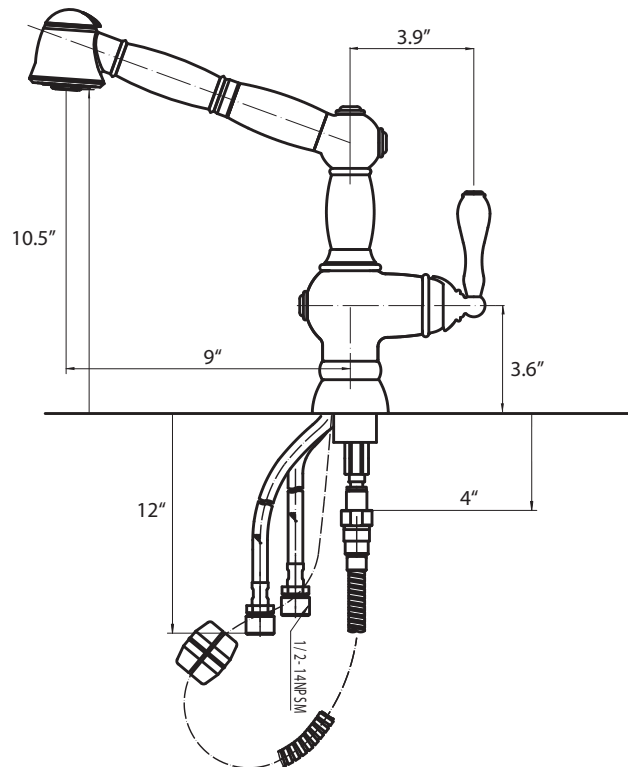
- Stainless steel braided hot and cold supply hoses
- Replacement parts available
- Toll-free helpline: 888-560-5222
- Water-saving aerator: 2.2 gallons (8.3L) per minute max @ 60 psi (4Kg/sq. cm)

## Installation Notes

- Mounts in one hole, 1-3/8" to 1-3/4" diameter
- Maximum counter thickness – 1-1/2"
- Connects to supply hoses having 1/2" NPS swivel nuts or ball-nose connections
- Mounts with or without deck plate (included)

## Warranty

Limited lifetime function and finish warranty to the original consumer purchaser covering defects in material and workmanship. 5 Year limited warranty for all industrial and commercial applications. See complete statement for details.



Giagni reserves the right to make specification and pricing changes without notice or obligation, and to change or discontinue models and finishes. All rights reserved. © Giagni 2008