

## Single Control Lavatory Faucet Model A1

### Features

- Mounts in single hole with or without deck plate
- Solid Brass construction
- Ceramic disc valve cartridge
- 1/2 Male NPS supply connections
- PVD Anti-tarnish finishes (Noted by #)
- Lifetime limited warranty
- Matching pop-up drain included



### Codes/Standards

Specified model meets or exceeds:

- ASME/ANSI A112.18.1M
- CSA B125
- ADA compliance to ANSI A117.1
- NSF 61
- Energy Policy Act of 1992
- IAPMO/UPC listed



\*Mounts With or Without Deck Plate

### Specified Models:

Model No.	Product Description
 A1-ML	Single Control Lavatory Faucet

### Finish Codes:

#### \* Arzino Series Finish Codes

(Add to base model number, Example: A1-ML-PC)

Polished Chrome **PC**      Satin Nickel **SN**  
# Millennium Brass **MB**   Oil Rubbed Bronze **OB**

# = PVD Finish

Giagni reserves the right to make specification and pricing changes without notice or obligation, and to change or discontinue models and finishes.  
All rights reserved. © Giagni 2008

# Arzino

## Single Control Lavatory Faucet Model A1

### Technical Information

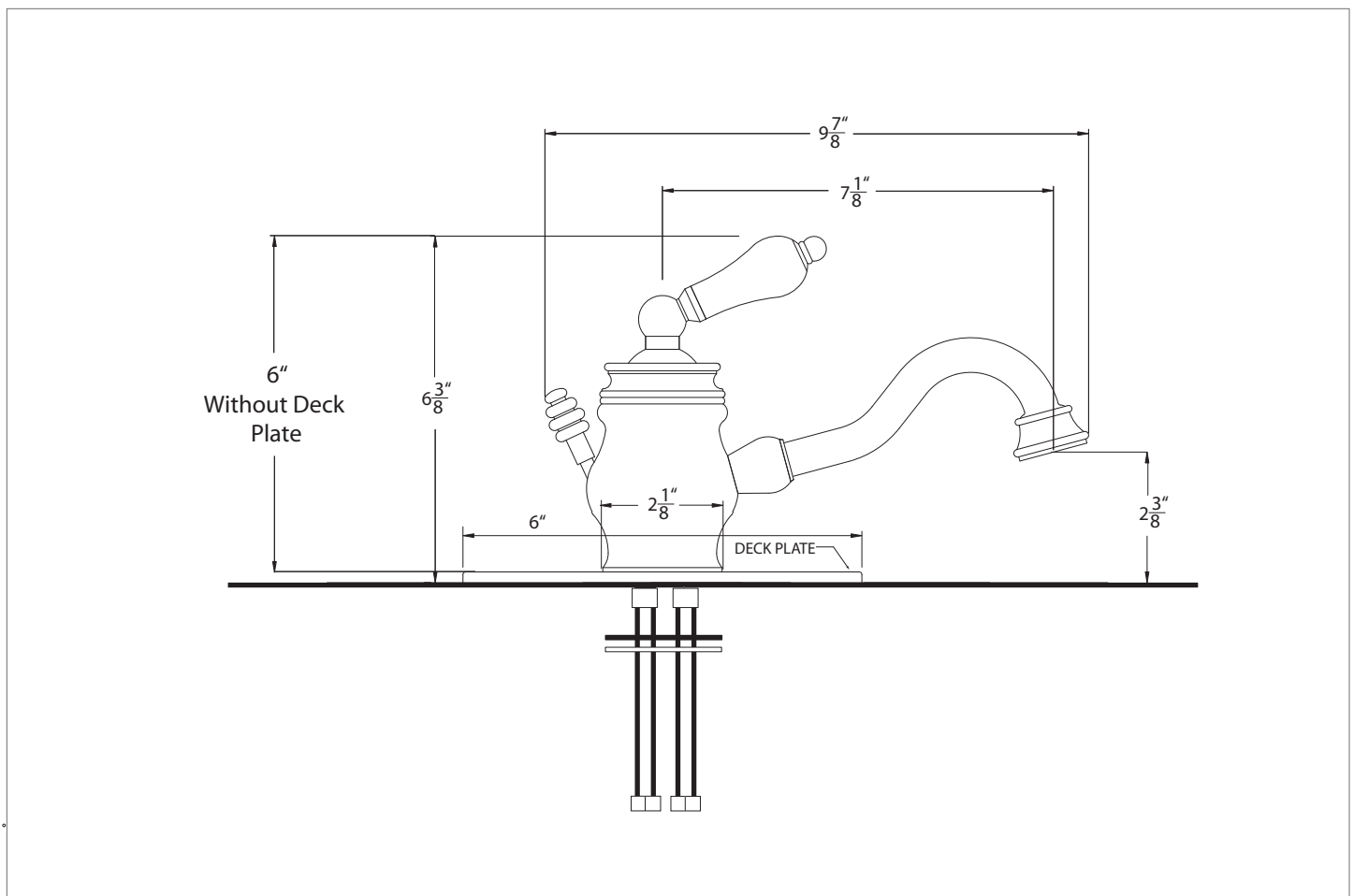
- Stainless steel braided hot and cold hoses
- Replacement parts available
- Toll-free helpline: 888-560-5222
- Water-saving aerator: 2.2 gallons (8.3L) per minute max @ 60 psi (4Kg/sq. cm)
- Spout does not swing

### Installation Notes

- Mounts in single hole, 1-1/4" - 1-3/4" in diameter
- Also mounts in three holes with deck plate (included). Center hole must be 1-1/4" - 1-3/4" in diameter.
- Maximum counter thickness - 1-1/2"
- Connects to supply hoses (sold separately) having 1/2" NPS swivel nuts or ball-nose connections
- Pop-up drain is for use with basins having an overflow

### Warranty

Limited lifetime function and finish warranty to the original consumer purchaser covering defects in material and workmanship. 5 Year limited warranty for all industrial and commercial applications. See complete warranty statement for details



Giagni reserves the right to make specification and pricing changes without notice or obligation, and to change or discontinue models and finishes. All rights reserved. © Giagni 2008