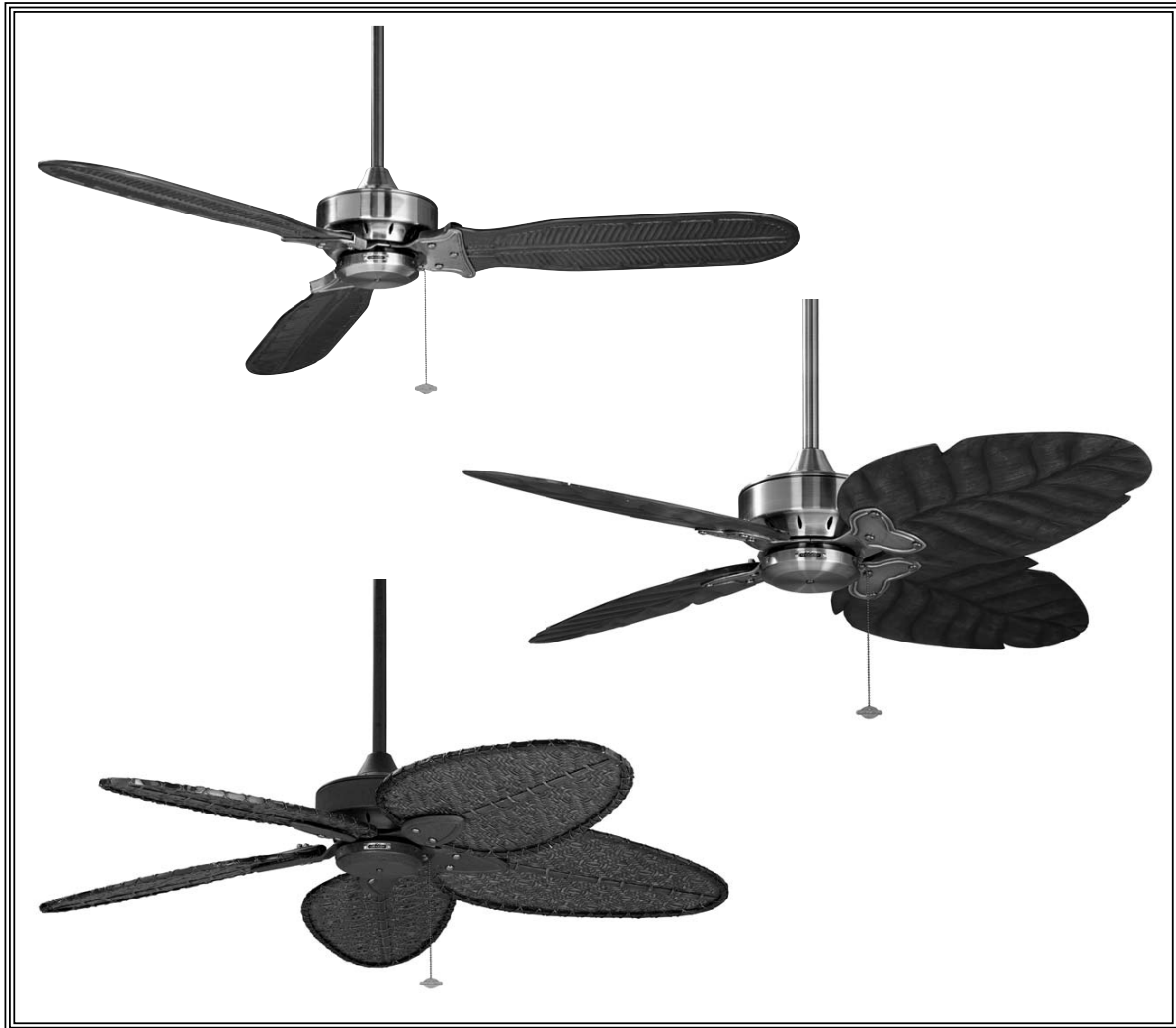


The Windpointe[®]

UNI-PACK SERIES FANS

FP7300 / FP7400 / FP7500



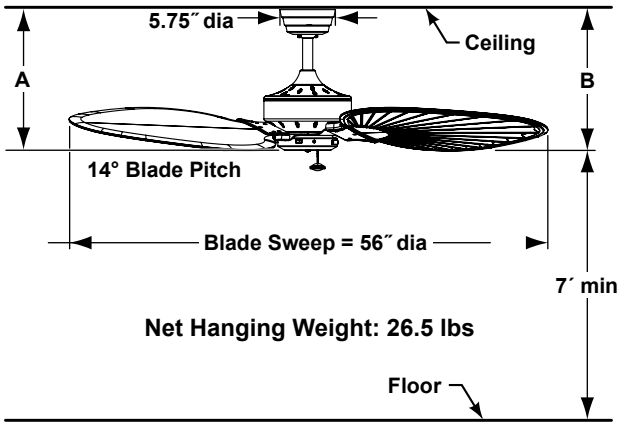
SPECIFICATION SHEET



Product Specifications subject to change

WINDPOINTE® SERIES

**FP7300RS
3-Blade Style Model**



	A	B
Fan w/6" downrod	14.50"	15.00"
Fan w/12" downrod	20.50"	21.00"
Fan w/18" downrod	26.50"	27.00"
Fan w/24" downrod	32.50"	33.00"
Fan w/36" downrod	44.50"	45.00"
Fan w/48" downrod	56.50"	57.00"
Fan w/60" downrod	68.50"	69.00"
Fan w/72" downrod	80.50"	81.00"

Available Finish	
RS	Rust (Damp)

Energy Efficiency Info (120V)					
Fan Speed	Max RPM	CFM	CFM / Watts	Amps	Watts
High	95	4087	76	0.45	53
Med	86	3307	88	0.38	38
Low	68	1939	118	0.25	17

INSTALLATION REQUIREMENTS:

Fan must be attached to a securely anchored electrical junction box capable of withstanding a load of at least 50 lbs.

ELECTRICAL REQUIREMENTS:

Requires a grounded electrical supply line of 120 volts AC, 60 Hz, 15 amp circuit.

MOTOR SPECS:

188 x 25 motor is designed for optimal performance with this fan. 220 VAC, 50 Hz export version is available.

BLADES:

A set of three wide oval woven bamboo blades is included.

CONTROL OPTIONS:

Optional C1, C2 and C25* wall controls and C4 remote control with receiver unit are available—sold separately. Instructions are provided with each control.

*C25 wall control must be used with C4 remote control

LIGHTING OPTIONS:

Optional lighting fitters and light kits are available. See our catalog or visit www.fanimation.com for lighting options.

DOWNROD OPTIONS:

Fan comes with a 1" dia. x 6" long downrod (DR1-6). Optional downrods are available in 12", 18", 24", 36", 48", 60" and 72" lengths. Fan can be mounted on a sloped ceiling up to 30°. Most sloped ceiling installations require a downrod longer than the standard 6" downrod. Optional sloped ceiling ball kits (SCB1-52) are available for up to 52°. Call technical support for more information.

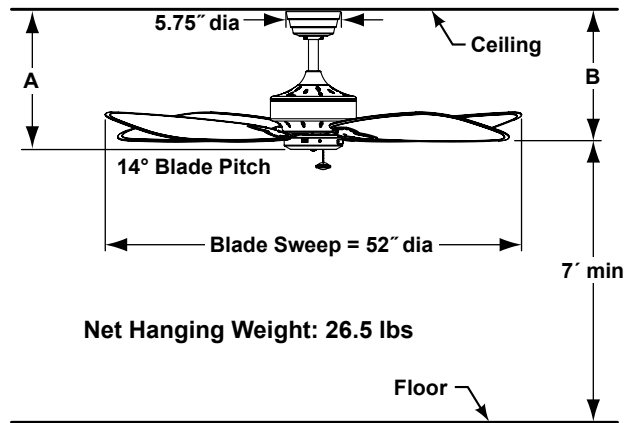
LOCATION USE:

FP7300RS is rated for dry and damp locations.



WINDPOINTE® SERIES

FP7400** 4 Wood Blade Model



	A	B
Fan w/6" downrod	14.50"	14.00"
Fan w/12" downrod	20.50"	20.00"
Fan w/18" downrod	26.50"	26.00"
Fan w/24" downrod	32.50"	32.00"
Fan w/36" downrod	44.50"	44.00"
Fan w/48" downrod	56.50"	56.00"
Fan w/60" downrod	68.50"	68.00"
Fan w/72" downrod	80.50"	80.00"

Available Finish

AB	Antique Brass
RS	Rust (Damp)

INSTALLATION REQUIREMENTS:

Fan must be attached to a securely anchored electrical junction box capable of withstanding a load of at least 50 lbs.

ELECTRICAL REQUIREMENTS:

Requires a grounded electrical supply line of 120 volts AC, 60 Hz, 15 amp circuit.

MOTOR SPECS:

188 x 25 motor is designed for optimal performance with this fan. 220 VAC, 50 Hz export version is available.

BLADES:

A set of four wood blades is included.

CONTROL OPTIONS:

Optional C1, C2 and C25* wall controls and C4 remote control with receiver unit are available—sold separately. Instructions are provided with each control.

*C25 wall control must be used with C4 remote control

LIGHTING OPTIONS:

Optional lighting fitters and light kits are available. See our catalog or visit www.fanimation.com for lighting options.

DOWNROD OPTIONS:

Fan comes with a 1" dia. x 6" long downrod (DR1-6). Optional downrods are available in 12", 18", 24", 36", 48", 60" and 72" lengths. Fan can be mounted on a sloped ceiling up to 30°. Most sloped ceiling installations require a downrod longer than the standard 6" downrod. Optional sloped ceiling ball kits (SCB1-52) are available for up to 52°. Call technical support for more information.

LOCATION USE:

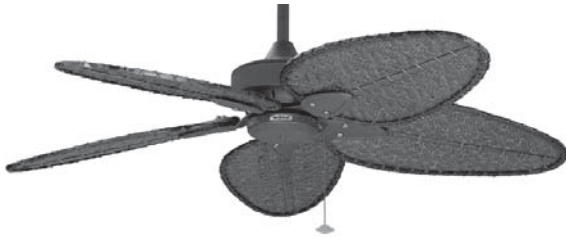
Fans are rated for dry locations only.

FP7400AB Airflow / Energy Efficiency Info (120V)

Fan Speed	Max RPM	CFM	CFM / Watts	Amps	Watts
High	170	5129	104	0.42	49
Med	131	3867	124	0.34	31
Low	79	2257	165	0.22	14

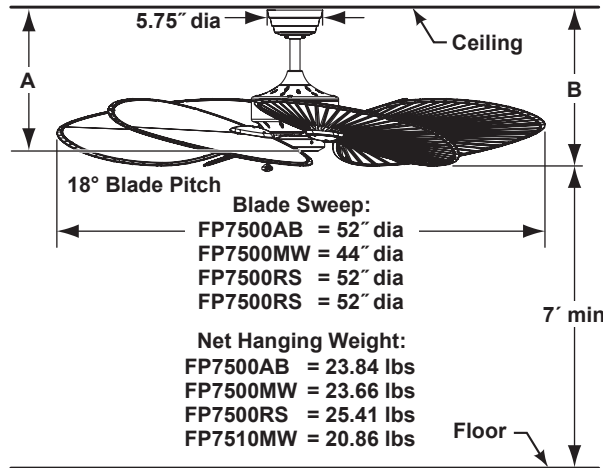
FP7400RS Airflow / Energy Efficiency Info (120V)

Fan Speed	Max RPM	CFM	CFM / Watts	Amps	Watts
High	145	4240	86	0.42	50
Med	110	3101	100	0.34	31
Low	67	1733	127	0.22	14



WINDPOINTE® SERIES

FP7500**/FP7510MW 5-Blade Traditional Model



Available Finishes FP7500**	
AB	Antique Brass
MW	Matte white
RS	Rust (Damp)

Available Finish FP7510MW	
MW	Matte white

	A	B
Fan w/6" downrod	14.50"	14.00"
Fan w/12" downrod	20.50"	20.00"
Fan w/18" downrod	26.50"	26.00"
Fan w/24" downrod	32.50"	32.00"
Fan w/36" downrod	44.50"	44.00"
Fan w/48" downrod	56.50"	56.00"
Fan w/60" downrod	68.50"	68.00"
Fan w/72" downrod	80.50"	80.00"

INSTALLATION REQUIREMENTS:

Fan must be attached to a securely anchored electrical junction box capable of withstanding a load of at least 50 lbs.

ELECTRICAL REQUIREMENTS:

Requires a grounded electrical supply line of 120 volts AC, 60 Hz, 15 amp circuit.

MOTOR SPECS:

188 x 25 motor is designed for optimal performance with this fan. 220 VAC, 50 Hz export version is available.

BLADES:

A set of five blades is included.

CONTROL OPTIONS:

Optional C1, C2 and C25* wall controls and C4 remote control with receiver unit are available—sold separately. Instructions are provided with each control.

*C25 wall control must be used with C4 remote control

LIGHTING OPTIONS:

Optional lighting fitters and light kits are available. See our catalog or visit www.fanimation.com for lighting options.

DOWNROD OPTIONS:

Fan comes with a 1" dia. x 6" long downrod (DR1-6). Optional downrods are available in 12", 18", 24", 36", 48", 60" and 72" lengths. Fan can be mounted on a sloped ceiling up to 30°. Most sloped ceiling installations require a downrod longer than the standard 6" downrod. Optional sloped ceiling ball kits (SCB1-52) are available for up to 52°. Call technical support for more information.

LOCATION USE:

FP7500AB and FP7500MW are rated for dry locations only. FP7510MW and FP7500RS are rated for dry and damp locations.

FP7500AB Airflow / Energy Efficiency Info (120V)					
Fan Speed	Max RPM	CFM	CFM / Watts	Amps	Watts
High	86	2633	63	0.37	42
Med	82	2337	68	0.34	34
Low	57	1420	86	0.23	17

FP7500MW Airflow / Energy Efficiency Info (120V)					
Fan Speed	Max RPM	CFM	CFM / Watts	Amps	Watts
High	122	2812	67	0.37	42
Med	109	2501	73	0.33	35
Low	75	1600	96	0.23	17

FP7500RS Airflow / Energy Efficiency Info (120V)					
Fan Speed	Max RPM	CFM	CFM / Watts	Amps	Watts
High	95	2551	60	0.37	42
Med	86	2272	65	0.34	35
Low	68	1175	71	0.23	17

FP7510MW Airflow / Energy Efficiency Info (120V)					
Fan Speed	Max RPM	CFM	CFM / Watts	Amps	Watts
High	110	3468	82	0.37	42
Med	97	3010	88	0.33	34
Low	63	1743	106	0.23	17



celebrating 25 years

**10983 Bennett Parkway
Zionsville, IN 46077**

Toll Free (888) 567-2055

FAX (866) 482-5215

Outside U.S. call (317) 733-4113

Visit Our Website @ www.fanimation.com

*Copyright 2010 Fanimation, Inc.
All Rights Reserved*



2010/01