

# Instructions

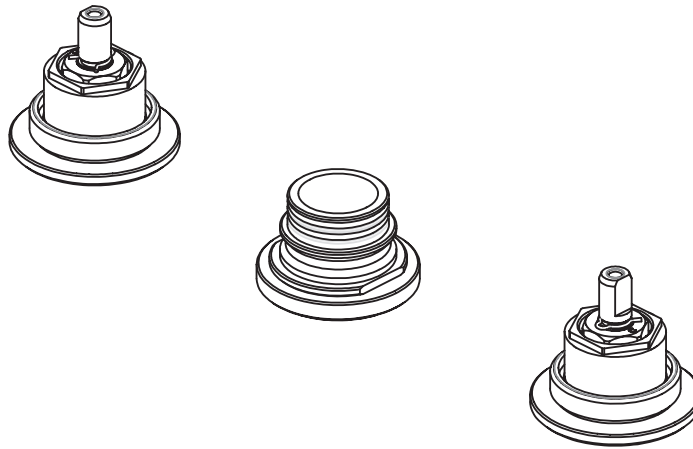
7000 – Brass



## Certifications



## Roman Tub Rough-In



### Tools Required

Adjustable Wrench  
Groove Joint Pliers  
Pipe Wrench  
Phillips Screwdriver  
Pipe Tape or pipe thread compound



### Safety Tips

If you solder the joints during installation, the seats, cartridges, and washers must be removed before using a flame or the warranty will be voided on these parts.

Protect your eyes with safety glasses when cutting or soldering water supply lines.

Cover the sink drain to avoid losing parts.

### Things You May Need

Installations may vary depending on how the previous faucet was installed. Supplies necessary for the installation of your faucet are not all included; however, they are available wherever plumbing supplies are sold.

### Important Points

Prior to beginning installation, turn off the hot and cold water lines, then turn on the old faucet to release built-up pressure. When installing your new faucet, turn the connector nuts finger tight, then use one wrench to hold the fitting and a second wrench to tighten the nut. Connections that are too tight will reduce the integrity of the system.

Wrap all threaded connections with PTFE pipe tape available at your local hardware or plumbing supply store. Always wrap in a clock-wise direction.

### Contact Us

For Customer Service please call 877-319-3757, or go to [homewerksww.com](http://homewerksww.com).

# Instructions

7000 – Brass

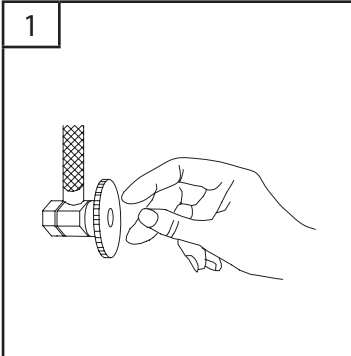


Certifications

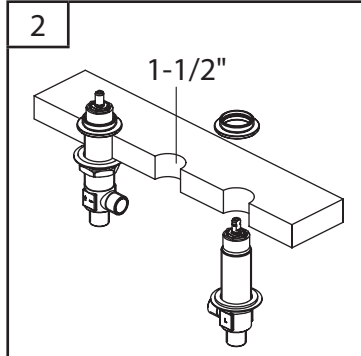


## Roman Tub Rough-In

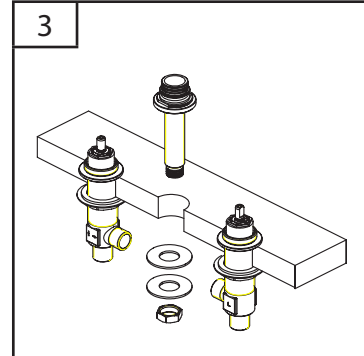
### Preparation and Assembly



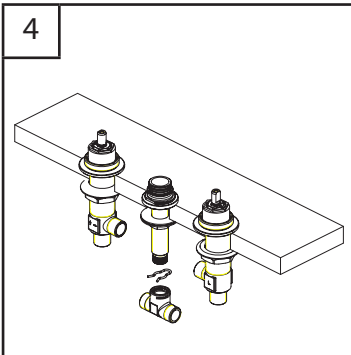
1  
Locate water supply inlet and shut off water supply valve. Clean and dry surface area where new faucet will be mounted.



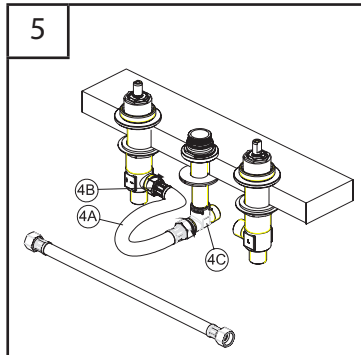
2  
Drill three 1-1/2" holes into the tub deck no more than 15" on center. Place mounting nut, metal washer and rubber washer onto valve body. From underneath the tub, insert valve body through holes (Note: cold on the right side, hot on the left side). From above, thread flange onto valve stem. Tighten mounting nut, so that the flange sits flush to the surface of working area.



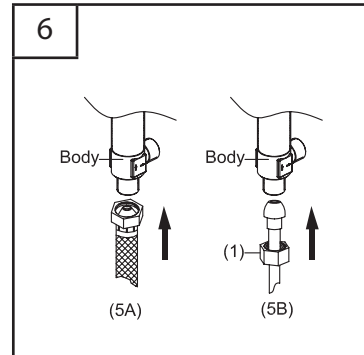
3  
Place long shank through mounting hole in deck. Secure spout with rubber washer, metal washer and nut. Tighten nut securely with wrench.



4  
Insert tee onto shank until it is completely seated. Place clip through slot.



5  
Connect the flexible water supply hose (4A) to the bottom of the valve body (4B) as shown. Align T-tube (4C) in a position which will allow maximum clearance to connect hoses. Carefully bend the hoses to fit the available space. Carefully thread the hose coupling to the side of the tee.



6  
Connect water supply lines. (A) Use 1/2" IPS faucet supply lines or use coupling nuts (not supplied) with ball-nose risers (not included). Turn water supply or shut-off valve back on and check for leaks. If leaks occur, gently tighten the faucet connections.

# Specifications



## Certifications

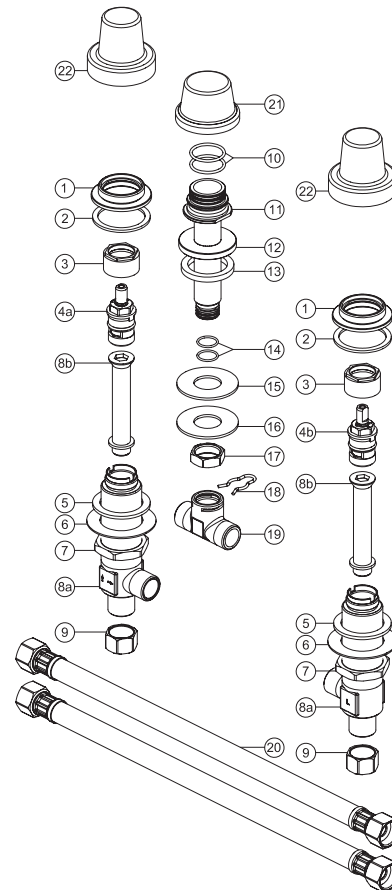


7000 - Brass

### Physical Characteristics

- Description: Roman tub rough-in with brass waterways and stainless steel supply lines
- ASME A112.18.1/CSA B125 Certified
- Total Weight of Item: 1344g

No.	Part Description	Material
1	Flange	C37700+C27000
2	Flange washer	EPDM E7008F
3	Bonnet	POM M90+S.S.
4A	Hot cartridge	Brass C37700
4B	Cold cartridge	Zinc ZZnA14
5	Washer	SUS302/304
6	Metal washer	Brass C37700
7	Mounting nut	ZZnA14
8A	Housing	POM M90
8B	Seat	EPDM D-701+Teflon
9	Coupling nut	SUS302/304
10	O-ring	EPDM E7008F
11	Long shank	POM M90
12	Flange	NBR N-583
13	Washer	SUS302/304
14	O-ring	C37700+C12200+SUS304
15	Washer	POM M90+N7008F+E7008F+C37700
16	Metal washer	Zinc ZAMAK 3
17	Mounting nut	Steel Q235A
18	Ring	Steel Q235A
19	Tee	S.S.304
20	Hose assembly	ABS PA757
21	Lid	Brass C37700
22	Lid	ABS PA727



# Rough-In

7000 – Brass



Certifications



Roman Tub Rough-In

