

ELKAY[®]

SPECIFICATIONS

EZH20™ System Cooler/Bottle Filling Station Models LZS8WS and LZSTL(R)8WS

PRODUCT FEATURES

- Complete filtered cooler and bottle filling station in a consolidated space saving ADA-compliant design
- Sanitary, no-touch, sensor activation with automatic 30-second shut-off timer
- WaterSentry[®] Plus 3000 gallon filter included
- Flexi-Guard[®] StreamSaver™ Bubbler
- Silver Ion anti-microbial protection
- Quick fill rate is 1.1 gpm for refrigerated units and 1.5 gpm for non-refrigerated units
- Laminar flow provides minimal splash
- Real drain system eliminates standing water
- Visual user interface display includes:
 - Filter Monitor indicating when replacement is necessary
 - Green Ticker counting the quantity of 16 oz. bottles saved from the landfill for non-refrigerated units and 12 oz. bottles for refrigerated units

Unit shall provide 8.0 gph of 50° F water at 90° F ambient and 80° F inlet water. Bottle filling unit shall include an electronic sensor for no-touch activation with an automatic 30-second shut-off timer. Shall provide 1.1-1.5* gpm flow rate with laminar flow to minimize splashing. Shall include antimicrobial protected plastic components to prevent mold and mildew. Cooler unit shall have pushbar activation and water-efficient StreamSaver™ bubbler. Shall include the WaterSentry[®] Plus filter, certified to NSF/ANSI 42 and 53 for lead reduction, with visual monitor to indicate when replacement is necessary. Bottle Filling unit shall meet ADA guidelines for parallel approach. Cooler shall meet ADA guidelines for frontal or parallel approach. Unit shall be lead-free design which meets Safe Drinking Water Act and is certified to NSF/ANSI 61 and California AB1953. Unit shall be certified to UL399 and CAN/CSA 22.2 No. 120.

SUGGESTED SPECIFICATION

*Fill rate may vary slightly depending on existing refrigeration systems in the field

2222 Camden Court Phone: 630-572-3192
Oak Brook, IL 60523 Web: Elkayusa.com



Third Party Certified to:

- UL399 and CAN/CSA 22.2 No. 120
- Lead-free compliance including NSF/ANSI 61 and CA AB1953

IMAGES

Model LZS8WSLK shown. Includes Single Filtered Cooler with Bottle Filling Station.



Model LZSTL8WSLK shown. Includes Bi-Level Filtered Cooler with Bottle Filling Station

- Vandal-resistant StreamSaver™ Bubbler
- 51300C Replacement filter
- 51300C_3PK Replacement filter 3-pack
- 36292C Receptacle Adaptor Plug

OPTIONAL ACCESSORIES

Ideal for use in:

- Educational facilities
- Healthcare facilities
- Sport and fitness centers
- Airports
- Office buildings
- Other commercial buildings

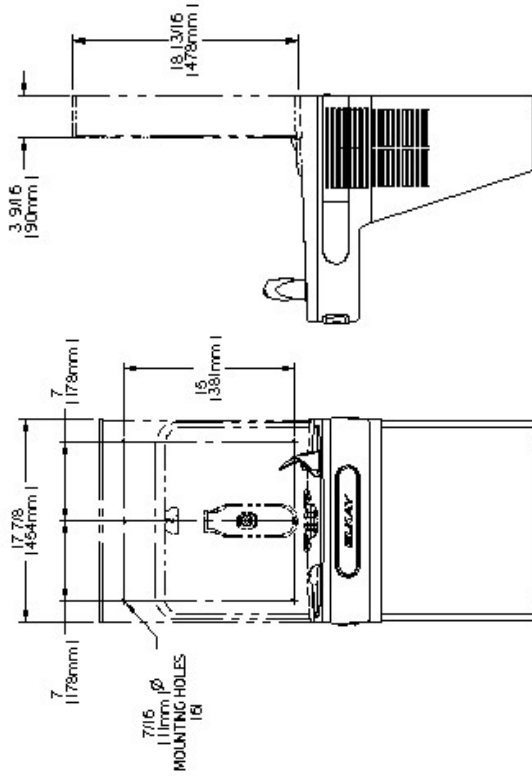
APPLICATIONS

ROUGH-IN DIMENSIONS

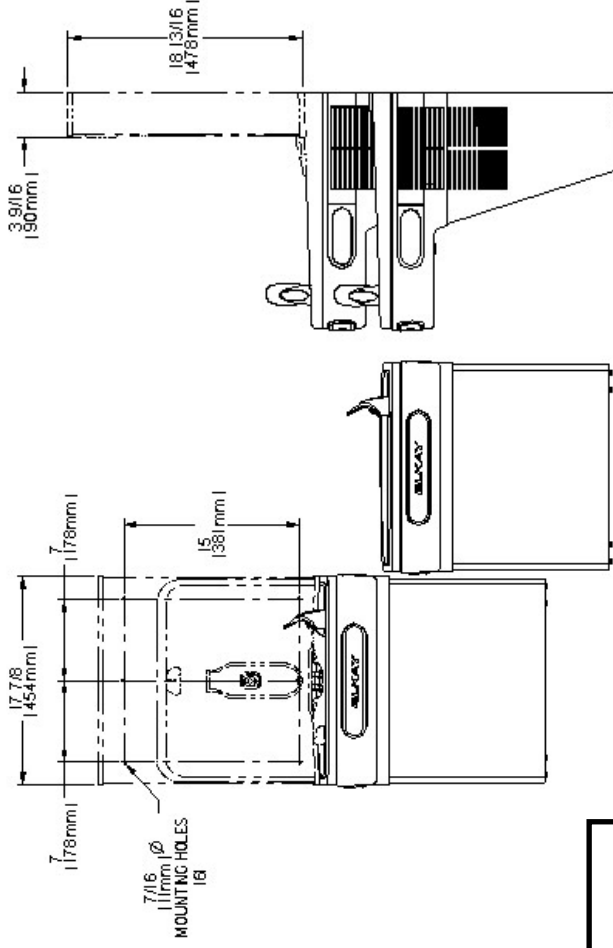
EZH2O is designed to fit on an EZ Cooler which is properly installed per the EZ Spec Sheet rough-in design.

**Rated for Indoor Use Only*

Single Cooler Installation



Bi-Level Cooler Installation



ELECTRICAL

Water Cooler and EZH2O Station equipped with electric cords and three-prong molded rubber plugs for use with 15-amp minimum dual receptacle. Rated at 115 volt, 60 Hz, single phase.

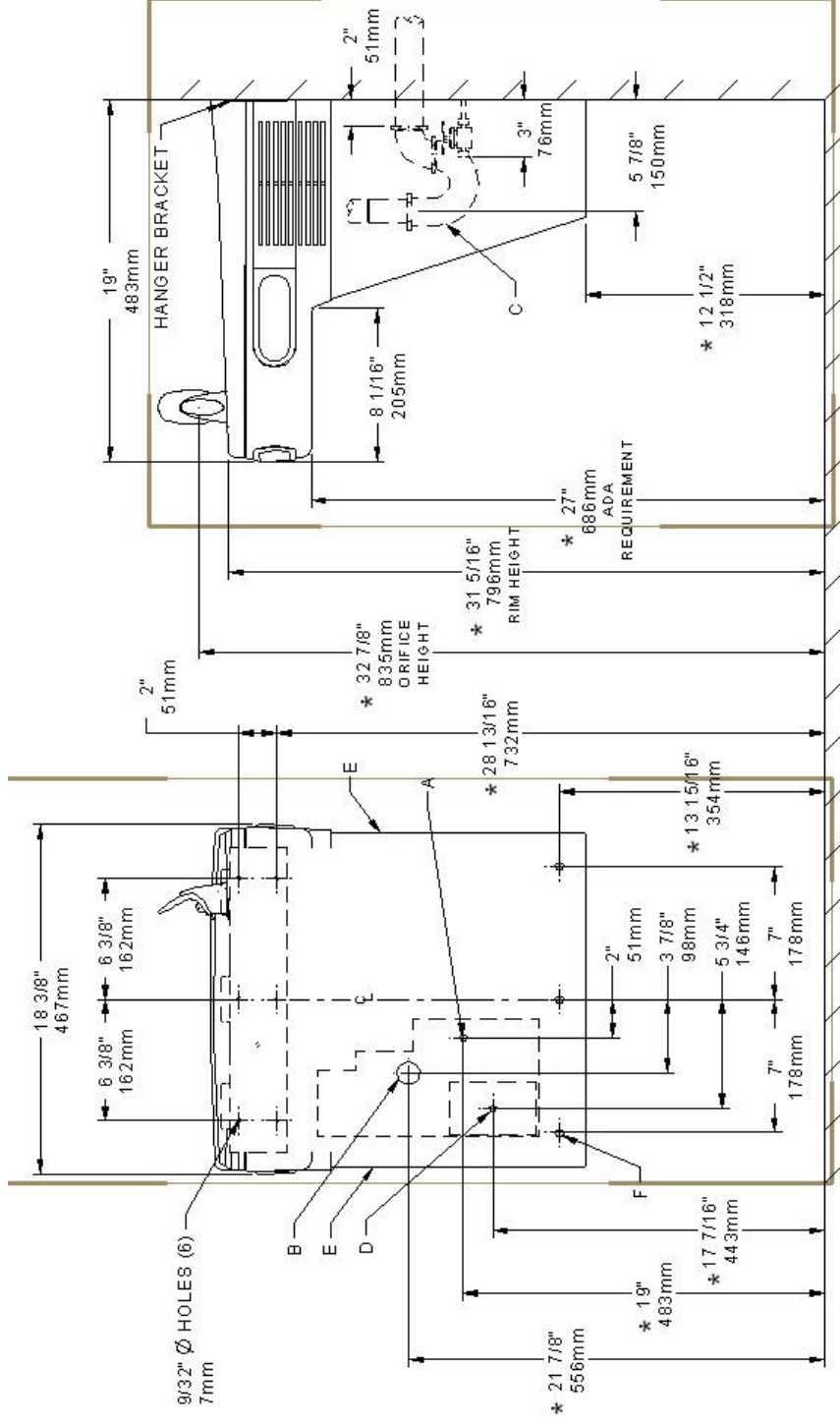
Installation Notes:

- Unit will mount on bracket attached to wall by 6 holes (as shown above)
- Water and electrical will connect thru a hole punched into basin. Basin will be pre-punched.
- Refer to page 3 for single EZ rough-in.
- Refer to page 4 for bi-level EZ rough-in.

Job Name: _____
 Date: _____ Qty: _____
 Contact Info (Name, Phone, Email): _____
 Approval for Manufacture Signature and Date: _____

ROUGH-IN DIMENSIONS

*Rated for Indoor Use Only



- LEGEND:**
- A = Recommended Water Supply Location 3/8 O.D. Unplated Copper Tube Connect Stub With Shut-Off (By Others) - 3" (76mm) Maximum Out From Wall.
 - B = Recommended Location For Waste Outlet To Accommodate 1-1/2" Nominal Drain. Drain Stub 2" Out From Wall.
 - C = 1-1/2" Trap (Not Furnished)
 - D = Electrical Supply (3) Wire Recessed Box Duplex Outlet
 - E = Insure proper ventilation by maintaining 6" (152mm) minimum clearance from cabinet louvers to wall.
 - F = 7/16" Bolt Holes For Fastening Unit To Wall
- *Reduce Height By 3" For Installation Of Children's ADA Cooler

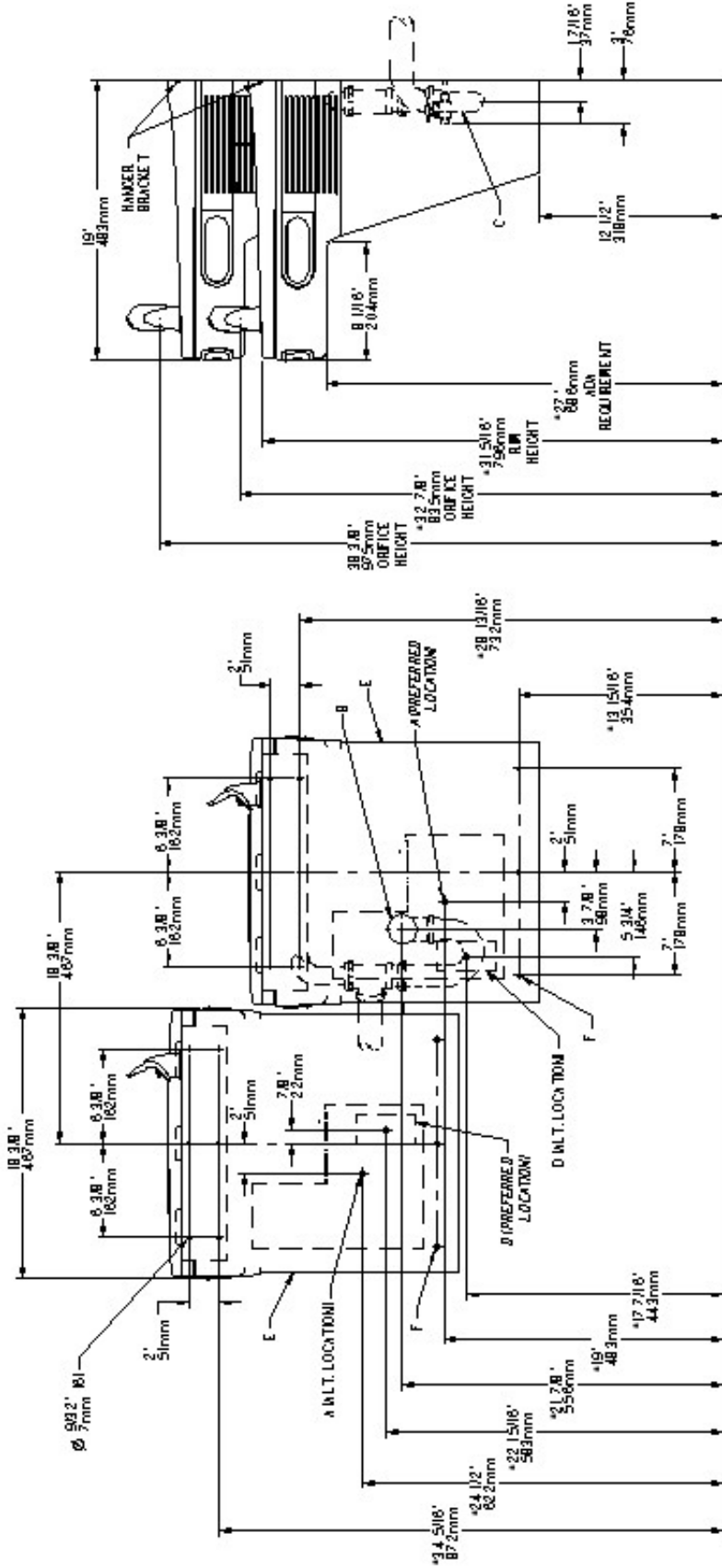
Specifications and measurements are subject to change without notification. Please visit elkayusa.com for most current version.

2222 Camden Court
Oak Brook, IL 60523
Phone: 630-672-3192
Web: Elkayusa.com

**EZ Style Single Level
Cooler Installation**

ROUGH-IN DIMENSIONS

*Rated for Indoor Use Only



*Reduce Height By 3" For Installation Of Children's ADA Cooler

LEGEND:

- A = Recommended Water Supply Location 3/8 O.D. Unplated Copper Tube Connect Stub With Shut-Off (By Others) - 3" (76mm) Maximum Out From Wall.
- B = Recommended Location For Waste Outlet To Accommodate 1-1/2" Nominal Drain. Drain Stub 2" Out From Wall.
- C = 1-1/2" Trap (Not Furnished)
- D = Electrical Supply (3) Wire Recessed Box Duplex Outlet
- E = Insure proper ventilation by maintaining 6" (152mm) minimum clearance from cabinet louvers to wall.
- F = 7/16" Bolt Holes For Fastening Unit To Wall

Specifications and measurements are subject to change without notification. Please visit elkayusa.com for most current version.

2222 Camden Court
Oak Brook, IL 60523
Phone: 630-672-3192
Web: Elkayusa.com

**EZ Style Bi-Level
Cooler Installation**