

SPECIFICATIONS

GENERAL

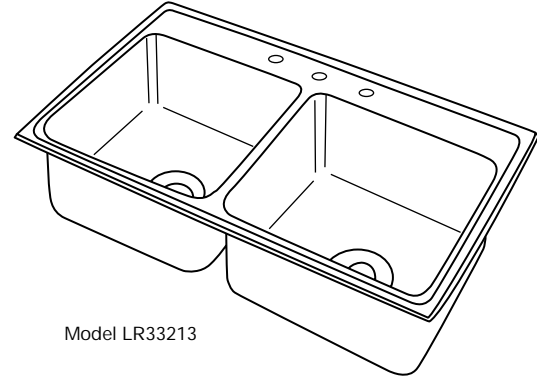
Highest quality. Sink seamlessly drawn of #18 gauge, type 304 (18-8) nickel bearing stainless steel. Self-rimming.

DESIGN FEATURES

LR Bowl Depths: 8" (LR3321) or 7-1/2" (all others).
 LRAD Bowl Depths: 5-1/2", 6" or 6-1/2".
 Coved Corners: 1-3/4" vertical and horizontal radius.
 Bowl and Faucet Deck Recess: 3/16" below outside edge of sink.
 Finish: Exposed surfaces are hand blended to a lustrous highlighted satin finish.
 Underside: Fully undercoated to dampen sound and prevent condensation. LR3321 is fully protected by heavy duty Sound Guard™ undercoating.

OTHER

LR Series Drain Openings: 3-1/2" and centered in bowls as illustrated.
 LRAD2918, LRAD3319 Drain Openings: 3-1/2" and centered in the bowls.
 LRAD2922 and LRAD3321 Drain Openings: 3-1/2" and located centered left-to-right and off-center front-to-back in each bowl as illustrated.



Model LR33213

SINK DIMENSIONS (INCHES)*

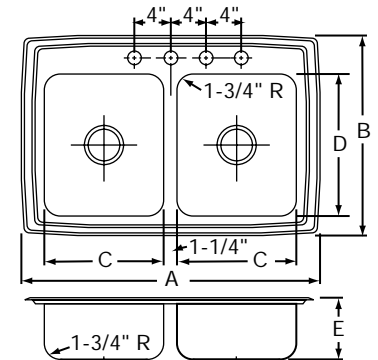
Model Number	Overall		Inside Each Bowl			Cutout in Countertop (1 1/2" Radius Corners)		No. of 1 1/2" Dia. Faucet Holes 4" Center	Minimum Cabinet Size	Ship. Wt. Lbs.	3 1/2" Drain Openings (see above for details)
	L	W	L	W	D	L	W				
LR Series	A	B	C	D	E	L	W				
LR2519	25	19 1/2	10	14	7 1/2	24 3/8	18 7/8	1, 2, 3, 4, or 5	30	15	Centered
LR2918	29	18	12	12	7 1/2	28 3/8	17 3/8	1, 2, 3, 4, or 5	33	16	Centered
LR2922	29	22	11 1/2	16	7 1/2	28 3/8	21 3/8	1, 2, 3, 4, or 5	33	17	Centered
LR3319	33	19 1/2	14	14	7 1/2	32 3/8	18 7/8	1, 2, 3, 4, or 5	36	20	Centered
LR3321	33	21 1/4	13 1/2	16	8	32 3/8	20 5/8	1, 2, 3, 4, or 5	36	21	Centered
LR3722	37	22	16	16	7 1/2	36 3/8	21 3/8	1, 2, 3, 4, or 5	42	24	Centered
LR4322	43	22	19	16	7 1/2	42 3/8	21 3/8	1, 2, 3, 4, or 5	48	25	Centered
LRAD Series	A	B	C	D	E						
LRAD2918	29	18	12	12	**	28 3/8	17 3/8	1, 2, 3, 4, or 5	33	16	Centered
LRAD2922	29	22	11 1/2	16	**	28 3/8	21 3/8	1, 2, 3, 4, or 5	33	17	Off-Centered
LRAD3319	33	19 1/2	14	14	**	32 3/8	18 7/8	1, 2, 3, 4, or 5	36	20	Centered
LRAD3321	33	21 1/4	13 1/2	16	**	32 3/8	20 5/8	1, 2, 3, 4, or 5	36	21	Off-Centered

*Length is left to right. Width is front to back.

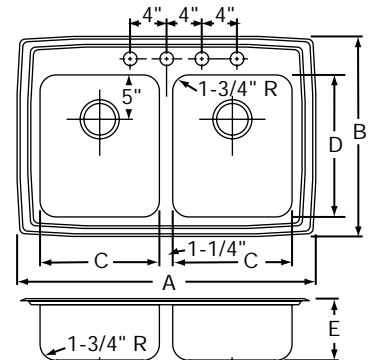
**Available in 5-1/2", 6" and 6-1/2" depths. Please consult your sales representative for other depths or modifications.

THIS PRODUCT, AS CONSTRUCTED IS SUBJECT TO INTERPRETATION OF A.D.A. REQUIREMENTS. THE UNOBSTRUCTED KNEE SPACE REQUIRED TO SATISFY A.D.A. STANDARDS MAY NOT BE DESIRABLE.

ALL DIMENSIONS IN INCHES, TO CONVERT TO MILLIMETERS MULTIPLY BY 25.4.



Model LR Series Illustrated



Model LRAD Series Off-Center Drain Model Only Illustrated

In keeping with our policy of continuing product improvement, Elkay reserves the right to change product specifications without notice.

This specification describes an Elkay product with design, quality and functional benefits to the user. When making a comparison of other producers' offerings, be certain these features are not overlooked.