

SPECIFICATIONS

GENERAL

LK6719CR Single control lavatory center-set with metal pop-up drain assembly. Pop-up drain designed to fit 1-5/8" drain opening. Removable ceramic disk cartridge. Faucet can be turned on to any temperature setting with an easy lift of the handle. Spout height is 2-15/16" from the deck to aerator. Spout reach is 5-7/16". 3/8" O.D. flexible supply tubes with 1/2" I.P.S. adapters. Requires one faucet hole.

LK6719BK Same as LK6719CR except exposed parts are in a black epoxy finish.

LK6719NK Same as LK6719CR except exposed parts are in a brushed nickel finish.

LK6719WH Same as LK6719CR except exposed parts are in a white epoxy finish.

Maximum countertop thickness for installation: 1-1/2".

Due to the weight of the faucet, Elkay recommends these faucets be mounted to a solid surface countertop, composite sink, or 18 gauge or thicker stainless steel sink.

These faucets use cartridge A54236R.



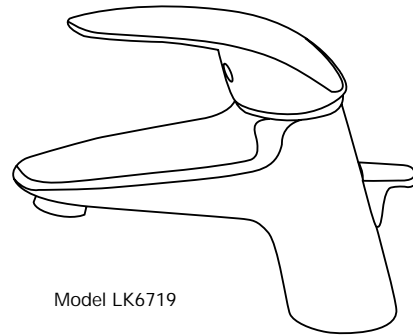
These faucets are ADA compliant.



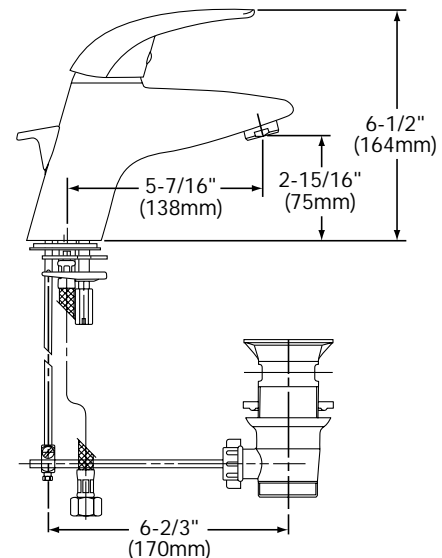
These faucets are classified by Underwriters Laboratories Inc. to **ANSI/NSF61** for residential use.

MAXIMUM FLOW RATE

2.0 GPM/7.6 L/min AT 80 P.S.I.G.



Model LK6719



ELKAY FAUCET/WATER DISPENSERS LIMITED WARRANTY

Elkay warrants its faucet and water dispensers to be free of defects in workmanship and material for a period of one year from the date of purchase. Replacement parts are available from Elkay for a nominal charge. Upon return of a defective part to Elkay during the warranty period with written notice of the claimed defect, Elkay will refund the replacement charge.

WASTE FITTINGS AND ACCESSORIES ARE NOT WARRANTED; OTHER WARRANTY CONDITIONS:

Our warranty does not cover product failure caused by abusive treatment, misuse, or damage due to handling or faulty installations. This warranty is extended only to the original consumer purchaser of the product. This warranty does not cover shipping costs, labor costs, or any other charges for such items as installation or replacement of the sink, diagnosis or replacement of any faucet or component part, or any other expense or loss.

ALL INCIDENTAL OR CONSEQUENTIAL DAMAGES ARE SPECIFICALLY EXCLUDED. NO ADDITIONAL WARRANTIES, EXPRESS OR IMPLIED, ARE GIVEN. ANY IMPLIED WARRANTY, INCLUDING ONE OF MERCHANTABILITY OR FITNESS FOR A PARTICULAR PURPOSE, IS LIMITED TO THE DURATION OF THIS WRITTEN WARRANTY.

Some states do not allow the exclusion or limitation of incidental or consequential damages or limitations on how long an implied warranty lasts, so the above limitations or exclusions may not apply to you.

This warranty gives you specific legal rights, and you may also have other rights which vary from state to state.

TO OBTAIN SERVICE UNDER WARRANTY

1. Write to: Elkay
Attention: Consumer Service
2222 Camden Court
Oak Brook, Illinois 60523
2. Include a letter containing the following information:
 - a. Date of purchase and installation
 - b. Description of nature of defect
 - c. Model number or description of model and/or component part if possible.