

## Echo Single Handle Kitchen Faucet Model LKEC1041 & LKLFEC1041

### FEATURES

#### Model LKEC1041

- Pull-out spray with aerated flow and spray function
- 1-3/8" (35mm) diameter faucet hole required
- Maximum countertop thickness:
  - Mid Rise: 5" (126mm)
  - Hi Rise: 2-1/2" (63mm)
- Solid brass construction
- Removable ceramic disc cartridge
- 110° swing spout
- Flexible supply hose with 3/8" compression nut
- Ship weight is 9.9 lbs (4.5 kg)
- Available in the following finishes:
  - Chrome LKEC1041CR, LKLFEC1041CR
  - Brushed nickel LKEC1041NK, LKLFEC1041NK
  - Oil rubbed bronze LKEC1041RB, LKLFEC1041RB
  - Polished nickel LKEC1041PN, LKLFEC1041PN
- Maximum flow rate
  - 2.2 GPM/8.3 L/min at 60 PSI (LKEC1041)
- Ships with mid rise and hi rise base

#### Model LKLFEC1041

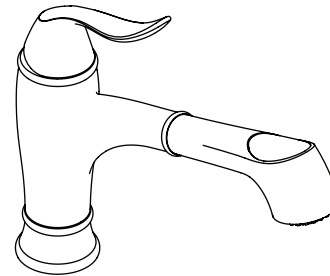
- Same as LKEC1041
- Maximum flow rate
  - 1.5 GPM/5.7 L/min at 60 PSI

### WARRANTY

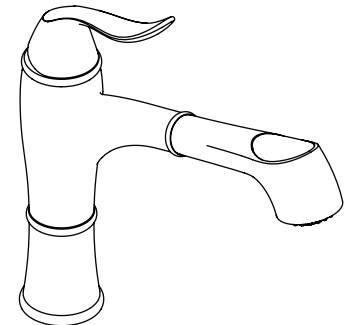
- Limited Lifetime

### COMPLIES WITH:

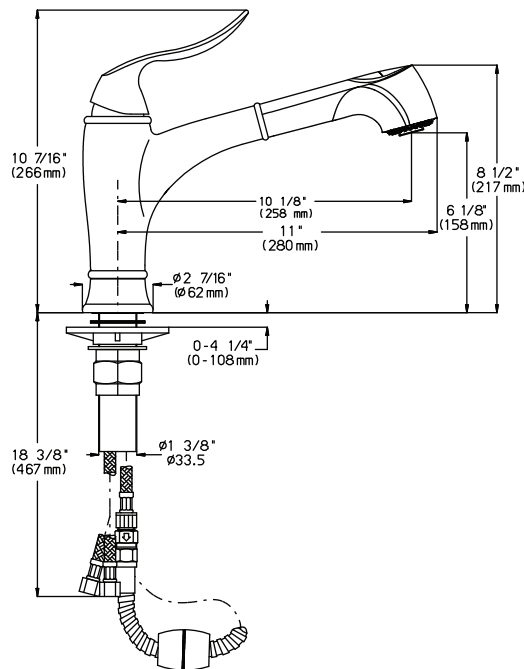
- ADA
- ANSI/NSF61
  - Only LKEC1041 Model, Certified
- ASME/ANSI A112.18.1
- CA AB1953 ; VT S-152
- cUPC
  - Only LKEC1041 Model, Certified



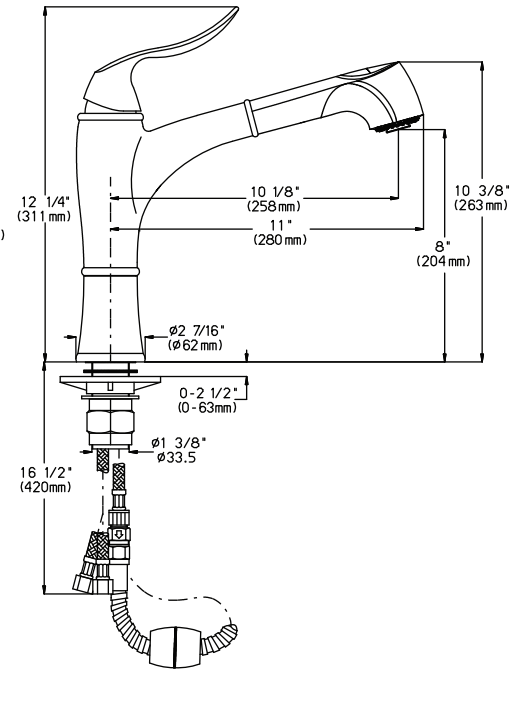
MID RISE



HI RISE



MID RISE



HI RISE