

ELKAY® SPECIFICATIONS

Sink Accessories Drain Fitting Models LK2, LK20, LK373 and LK374

GENERAL

LK2

- Type 304 stainless steel body with rubber stopper
- Fits 3-1/2" (89mm) opening
- Polished finish
- Type 304 stainless steel 1-1/2" (38mm) x 4" (102mm) tailpiece

LK20

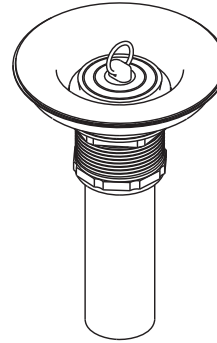
- Type 304 stainless steel body with rubber stopper
- Fits 3-1/2" (89mm) opening
- Polished finish
- Type 304 stainless steel 1-1/2" (38mm) x 4" (102mm) tailpiece
- Type 304 stainless steel 1-7/16" (37mm) x 13" (330mm) standpipe

LK373

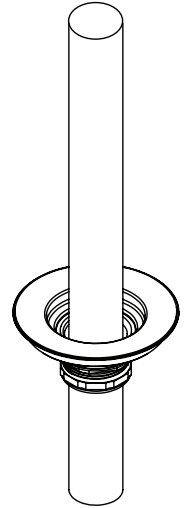
- Type 304 stainless steel body
- Fits 3-1/2" (89mm) opening
- Polished finish
- Type 304 stainless steel 1-1/2" (38mm) x 4" (102mm) tailpiece
- Type 304 stainless steel 1-1/2" (38mm) x 6-5/8" (168mm) standpipe

LK374

- Type 304 stainless steel body
- Fits 3-1/2" (89mm) opening
- Polished finish
- Type 316 stainless steel 1-1/2" (38mm) x 4" (102mm) tailpiece
- Type 316 stainless steel 1-1/2" (38mm) x 7-13/16" (198mm) standpipe



Model LK2



Model LK20,
LK373, LK374

SEE OTHER SIDE FOR PRODUCT DIMENSIONS.

In keeping with our policy of continuing product improvement, Elkay reserves the right to change product specifications without notice. Please visit elkayusa.com for most current version of Elkay product specification sheets.

This specification describes an Elkay product with design, quality and functional benefits to the user. When making a comparison of other producers' offerings, be certain these features are not overlooked.

Elkay

elkayusa.com

2222 Camden Court
Oak Brook, IL 60523

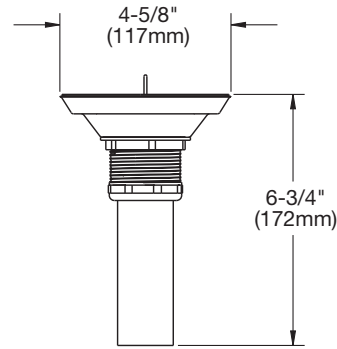
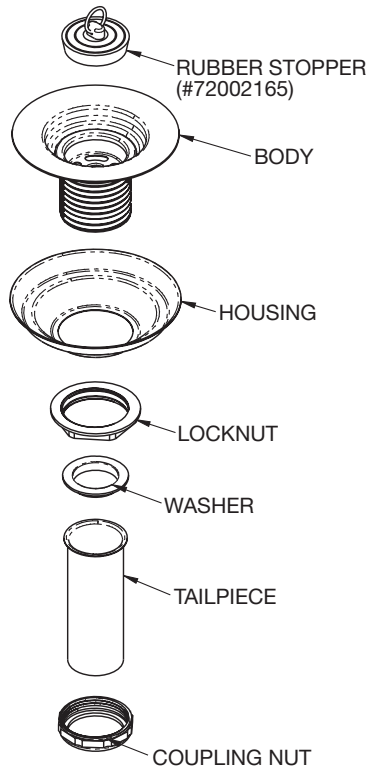
Printed in U.S.A.
©2008 Elkay

(Rev. 10/08)

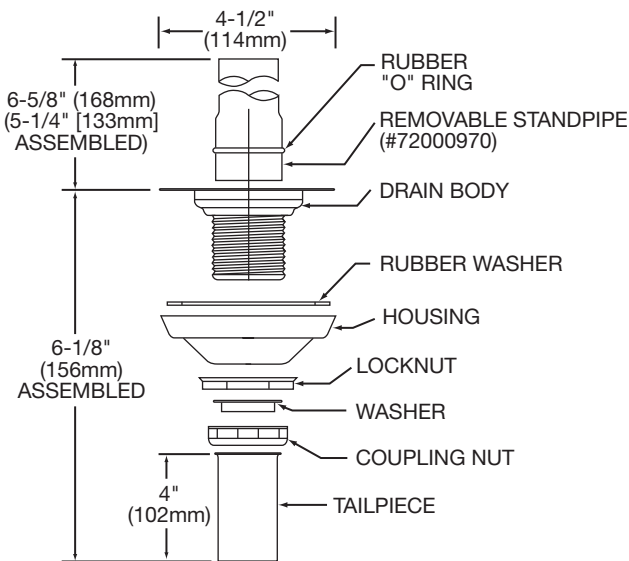
15-25A

Sink Accessories
Drain Fitting
Models LK2, LK20, LK373 and LK374

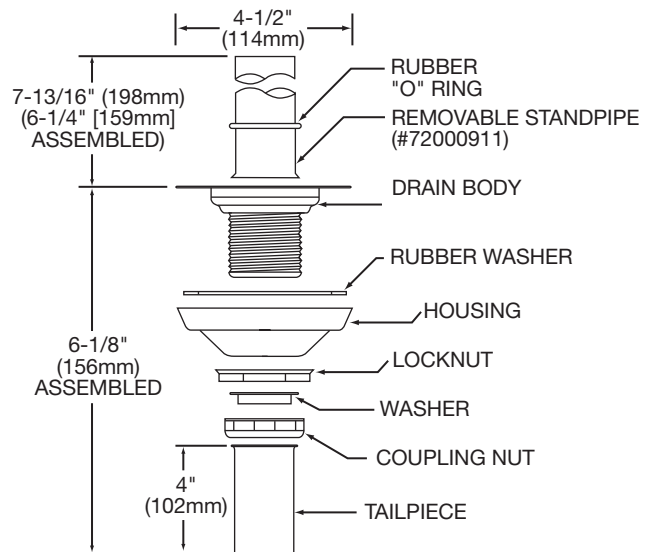
ELKAY®
SPECIFICATIONS



Model LK2 Illustrated



Model LK373 Illustrated



Model LK374 Illustrated