

ELKAY[®]

SPECIFICATIONS

Sink Accessories 3-1/2" Drain LK35, LK35B and LK35L Models

GENERAL

Strainer basket and body made of type 304 (18-8) nickel bearing stainless steel. Conical strainer basket with flex stem and rubber stopper.

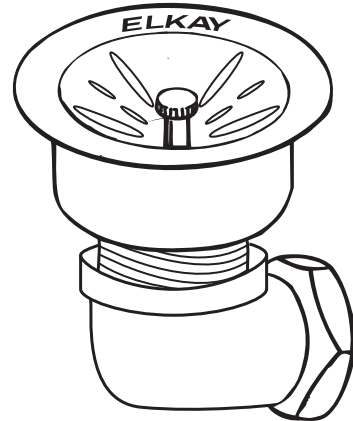
DESIGN FEATURES

Fit 3-1/2" openings, with overall top diameter of 4-1/2". No orientation for opening and closing needed.

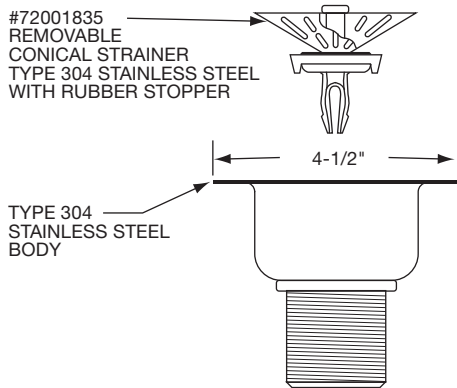
LK35 – Chrome plated brass tailpiece.

LK35B – Type 304 (18-8) nickel bearing stainless steel tailpiece.

LK35L – 90 degree – Chrome plated cast brass elbow.



Model LK35L



#72001835
REMOVABLE
CONICAL STRAINER
TYPE 304 STAINLESS STEEL
WITH RUBBER STOPPER

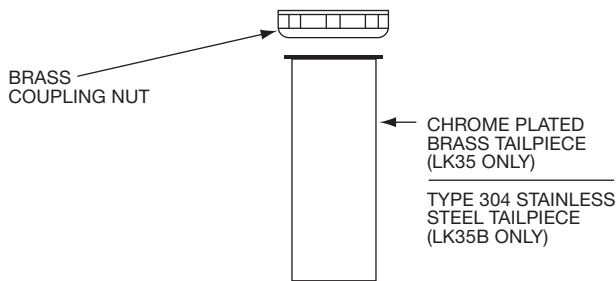
TYPE 304
STAINLESS STEEL
BODY

RUBBER WASHER

GALVANIZED
HOUSING

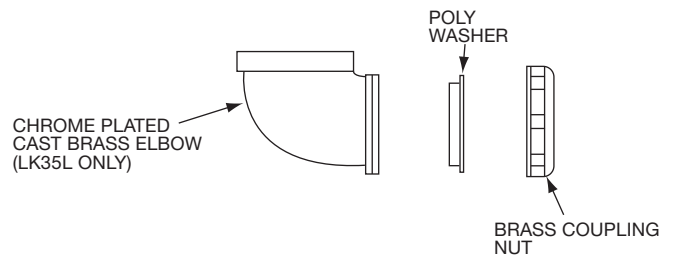
LOCKNUT

POLY
WASHER



BRASS
COUPLING NUT

CHROME PLATED
BRASS TAILPIECE
(LK35 ONLY)
TYPE 304 STAINLESS
STEEL TAILPIECE
(LK35B ONLY)



CHROME PLATED
CAST BRASS ELBOW
(LK35L ONLY)

POLY
WASHER

BRASS
COUPLING
NUT

ALL DIMENSIONS IN INCHES, TO CONVERT TO MILLIMETERS MULTIPLY BY 25.4.

In keeping with our policy of continuing product improvement, Elkay reserves the right to change product specifications without notice.

This specification describes an Elkay product with design, quality and functional benefits to the user. When making a comparison of other producers' offerings, be certain these features are not overlooked.

Elkay

elkayusa.com

2222 Camden Court
Oak Brook, IL 60523

Printed in U.S.A.
©2007 Elkay

(Rev. 8/07)

15-1D