

ELKAY[®] SPECIFICATIONS



EZH2O™ In-Wall Recessed Bottle Filling Station with SwirlFlo® GRN (Filterless)

Models EZWS-SFGRN8K & EZWS-SFGRN28K

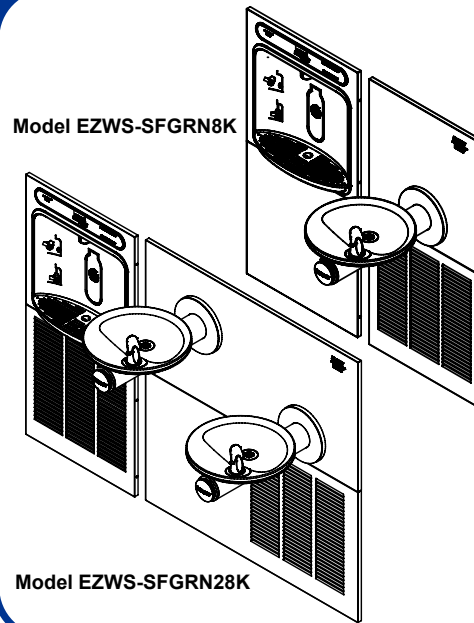
PRODUCT FEATURES

- Complete with EZH2O In-Wall and SwirlFlo GRN models including ECH8GRN with high-efficiency refrigeration system
- ADA compliant design
- Sanitary, no-touch, sensor activation with automatic 20 - second shut - off timer
- Bi-level models include two ECH8GRN chillers
- Silver ion anti-microbial protection
- Quick fill rate of 1.1 gpm
- Visual user interface display includes:
 - Green Ticker counts the quantity of plastic bottles saved from waste
- Includes mounting frame for quick and simple installation
- Hinged door for easy servicing

EZWS-SFGRN models shall provide 8.0 gph of 50° F water at 90° F ambient and 80° inlet water. Bottle Filling station shall be recess design and constructed of 18 gauge Type 300 series stainless steel and ABS plastic. Shall include electronic sensor for no-touch activation with automatic 20-second shut-off timer. Shall provide 1.1 gpm flow rate with laminar flow to minimize splashing. Shall include anti-microbial protected plastic components. Fountain constructed of stainless steel with ECH8GRN high-efficiency chilling system. Shall meet ADA guidelines when properly installed. Shall be lead-free design which meets the Safe Drinking Water Act and is certified to NSF/ANSI 61 and California AB1953. Unit shall be certified to UL399 and CAN/CSA 22.2 No. 120.

SUGGESTED SPECIFICATION

IMAGES



- 36292C Receptacle Adaptor Plug

OPTIONAL ACCESSORIES

- Educational facilities
- Healthcare facilities
- Sport and fitness centers
- Airports
- Office buildings
- Other commercial buildings

APPLICATIONS

2222 Camden Court Phone: 630572-3192
Oak Brook, IL 60523 Web: Elkayusa.com



Third Party Certified to:

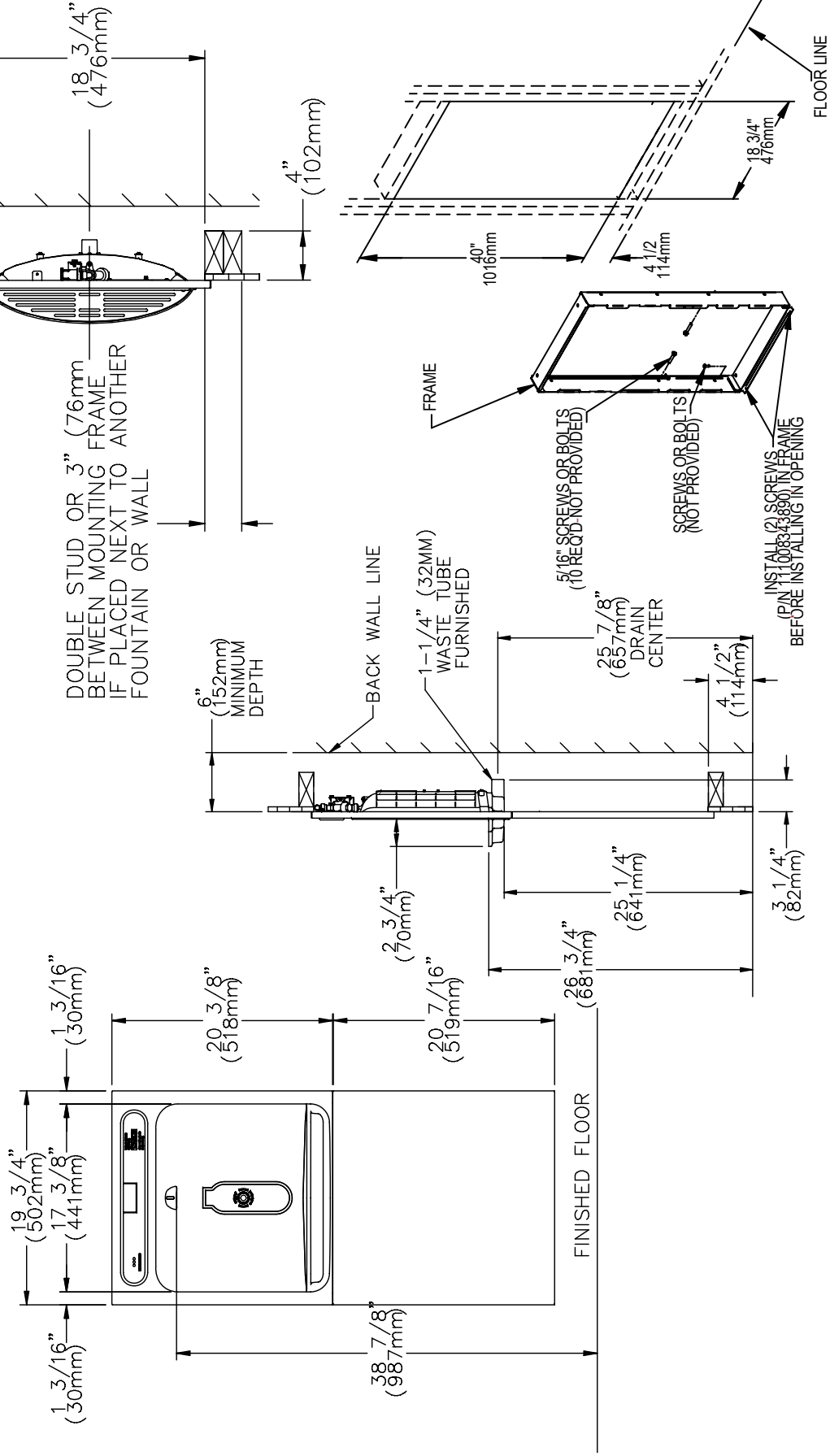
- UL399 and CAN/CSA 22.2 No. 120
- Lead-free compliance including NSF/ANSI 61 and CA AB1953

ELKAY®

ROUGH-IN DIMENSIONS

Rated for Indoor Use Only

EZH20 In-Wall Non-Refrigerated



Job Name: _____

Qty: _____

Contact Info (Name, Phone, Email): _____

Approval for Manufacture — Signature and Date: _____

Comments: _____

Specifications and measurements are subject to change without notification. Please visit elkayusa.com for most current version.

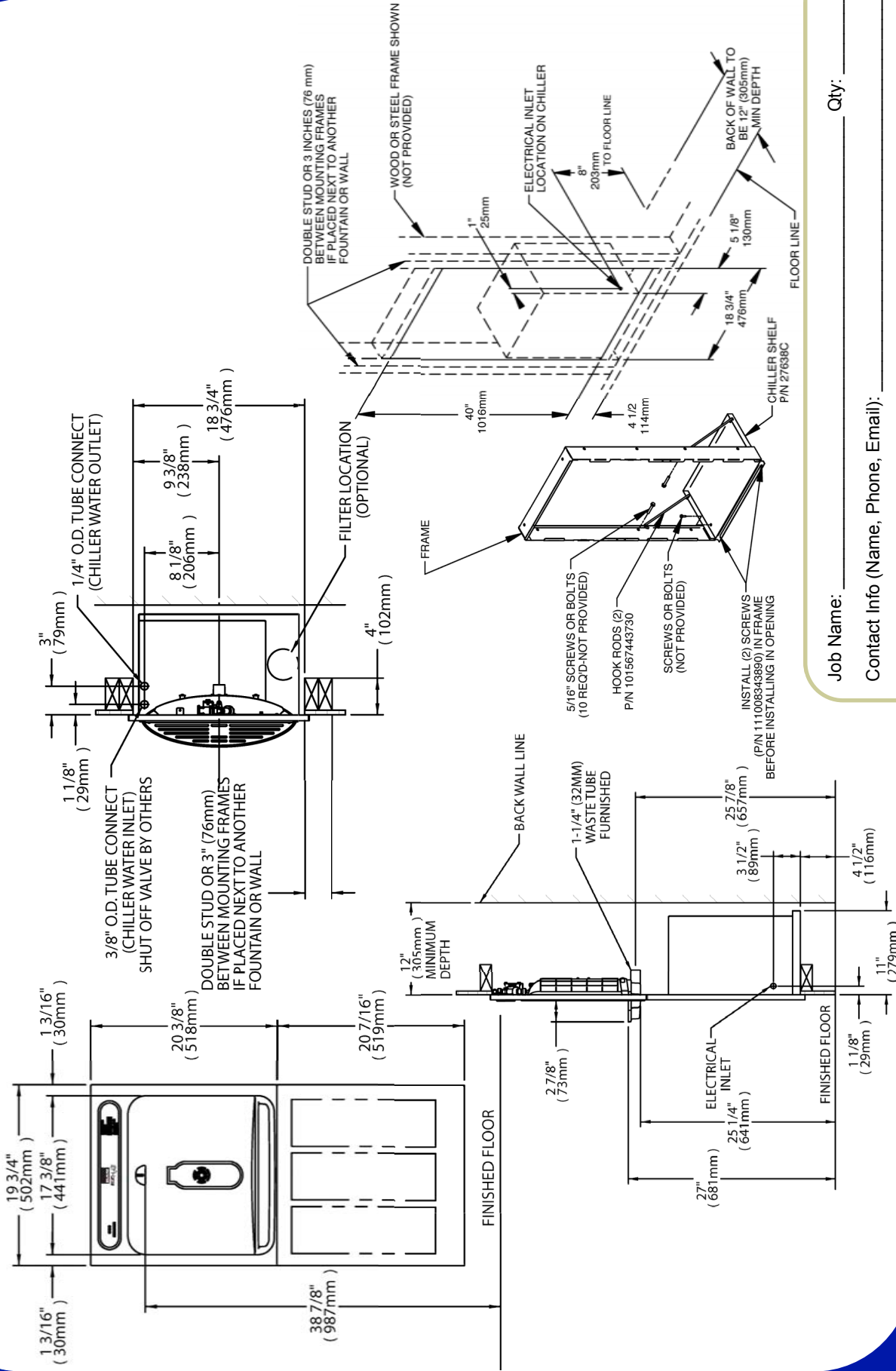
2222 Camden Court
Oak Brook, IL 60523
Phone: 630-572-3192
Web: Elkayusa.com

ELKAY®

ROUGH-IN DIMENSIONS

Rated for Indoor Use Only

EZH20 In-Wall Refrigerated



Job Name: _____ Qty: _____

Contact Info (Name, Phone, Email): _____

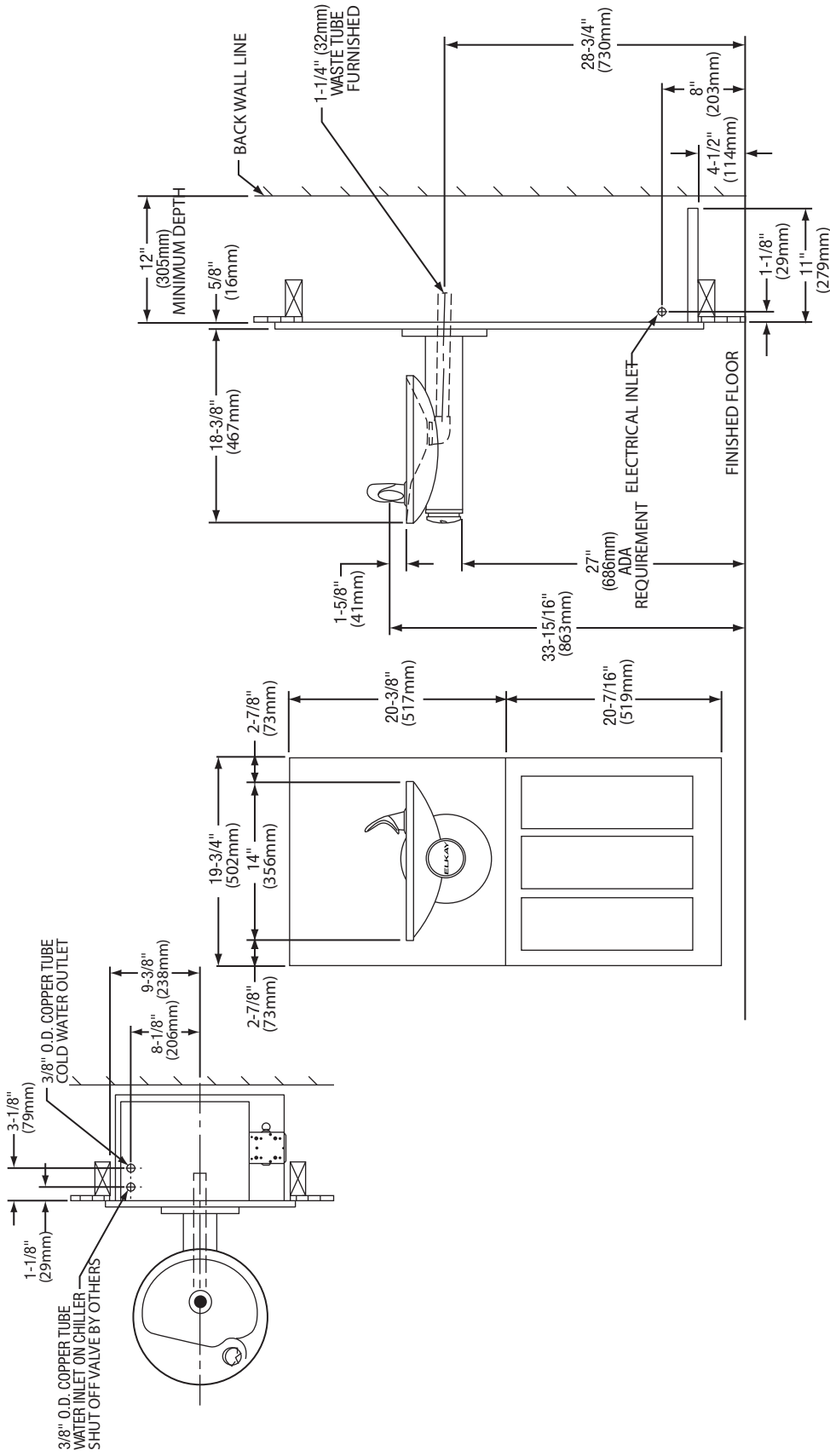
Approval for Manufacture— Signature and Date: _____

Comments: _____

2222 Camden Court
Oak Brook, IL 60523
Phone: 630-572-3192
Web: Elkayusa.com

Specifications and measurements are subject to change without notification.
Please visit elkayusa.com for most current version.

ROUGH-IN DIMENSIONS



Job Name: _____ Qty: _____

Contact Info (Name, Phone, Email): _____

Approval for Manufacture— Signature and Date: _____

Comments: _____

Specifications and measurements are subject to change without notification. Please visit elkayusa.com for most current version.

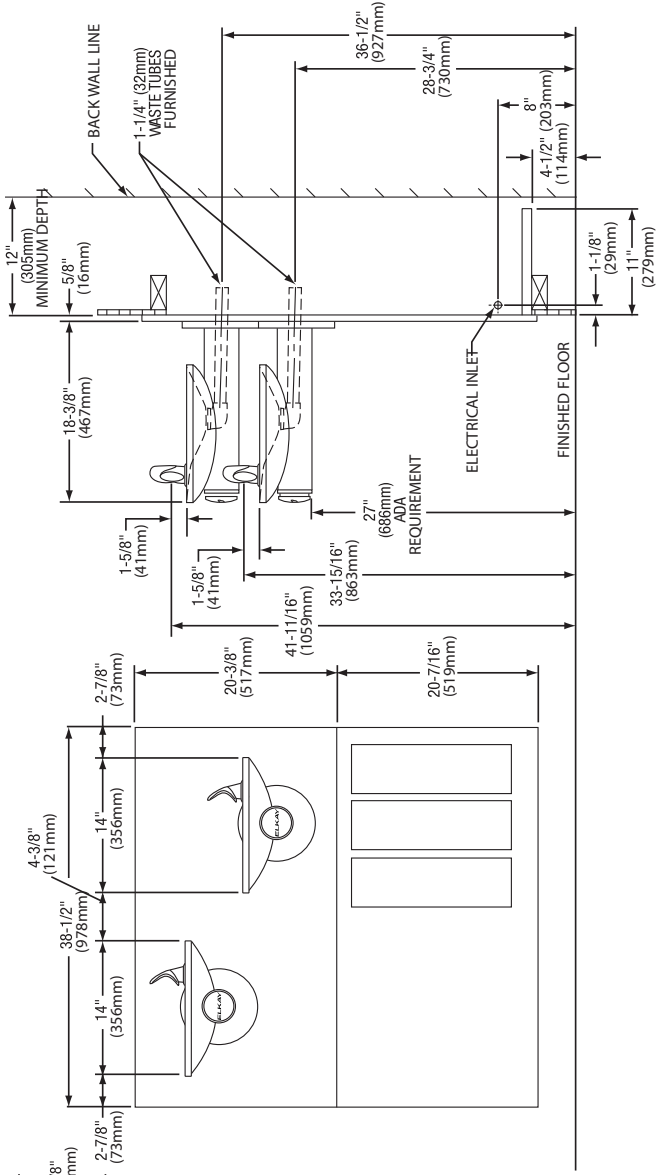
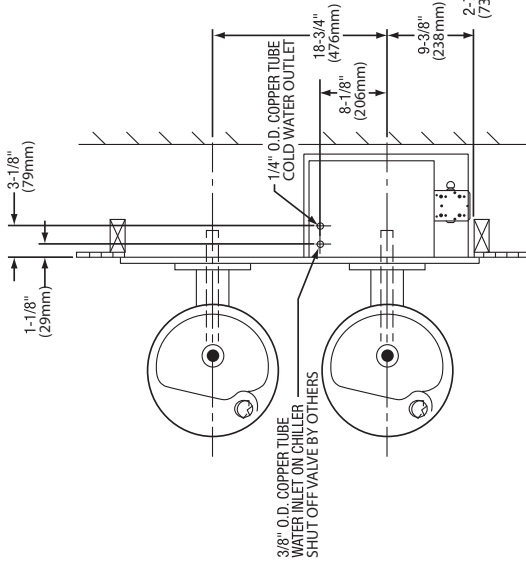
2222 Camden Court
Oak Brook, IL 60523
Phone: 630-572-3192
Web: Elkayusa.com

ELKAY®

ROUGH-IN DIMENSIONS

Rated for Indoor Use Only

Bi-Level SwirlFlo GRN



Job Name: _____ Qty: _____

Contact Info (Name, Phone, Email): _____

Approval for Manufacture — Signature and Date: _____

Comments: _____

2222 Camden Court
 Oak Brook, IL 60523
 Phone: 630-572-3192
 Web: Elkayusa.com

Specifications and measurements are subject to change without notification. Please visit elkayusa.com for most current version.