

ELKAY®

SPECIFICATIONS

Heavy Duty 14 Gauge Drinking Fountain Wall Mount, Fully Exposed Barrier-Free Access Models EHWM217C and EHW217C

GENERAL

Two-level wall mounted drinking fountain constructed of #14 gauge, type 304, stainless steel polished to a lustrous satin finish.

Contoured basin minimizes splashing and has vandal-resistant bubbler. Keyed in location to prevent rotation. Easy to operate, fully functional push-buttons are vandal-resistant. Vandal-resistant bottom cover plates included. Patented* valve and in-line flow regulator provides stream from 20 to 105 psi.

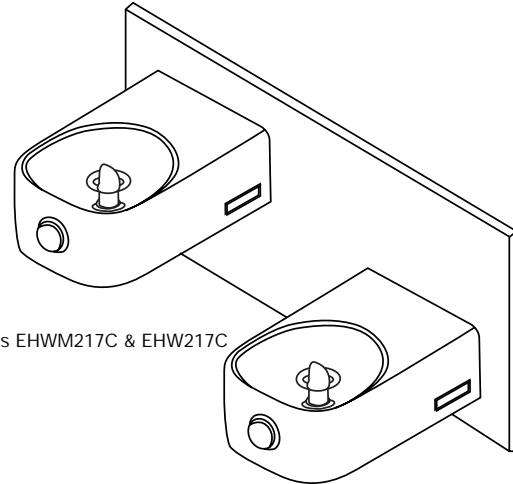
THIS DRINKING FOUNTAIN COMPLIES WITH THE REQUIREMENTS OF A.D.A. (AMERICANS WITH DISABILITIES ACT) WHEN PROPERLY INSTALLED. UNIT IS COMPLIANT IF INSTALLED IN AN ALCOVE AND IS ALSO COMPLIANT WHEN MOUNTED ON AN EXPOSED WALL IF A WING WALL IS LOCATED ON THE LEFT SIDE OR IF A APRON IS INSTALLED UNDER THE UPPER UNIT.

NO LEAD DESIGN

THIS DRINKING FOUNTAIN COMPLIES WITH THE LEAD-FREE DEFINITION IN THE SAFE DRINKING WATER ACT OF 1986 AND LEAD CONTAMINATION CONTROL ACT OF 1988.

Elkay Drinking Fountains are manufactured with a waterway system utilizing copper components and completely lead-free material. These waterways have no lead because all leaded materials, such as leaded brass, have been removed.

This drinking fountain is certified to **NSF/ANSI 61**.

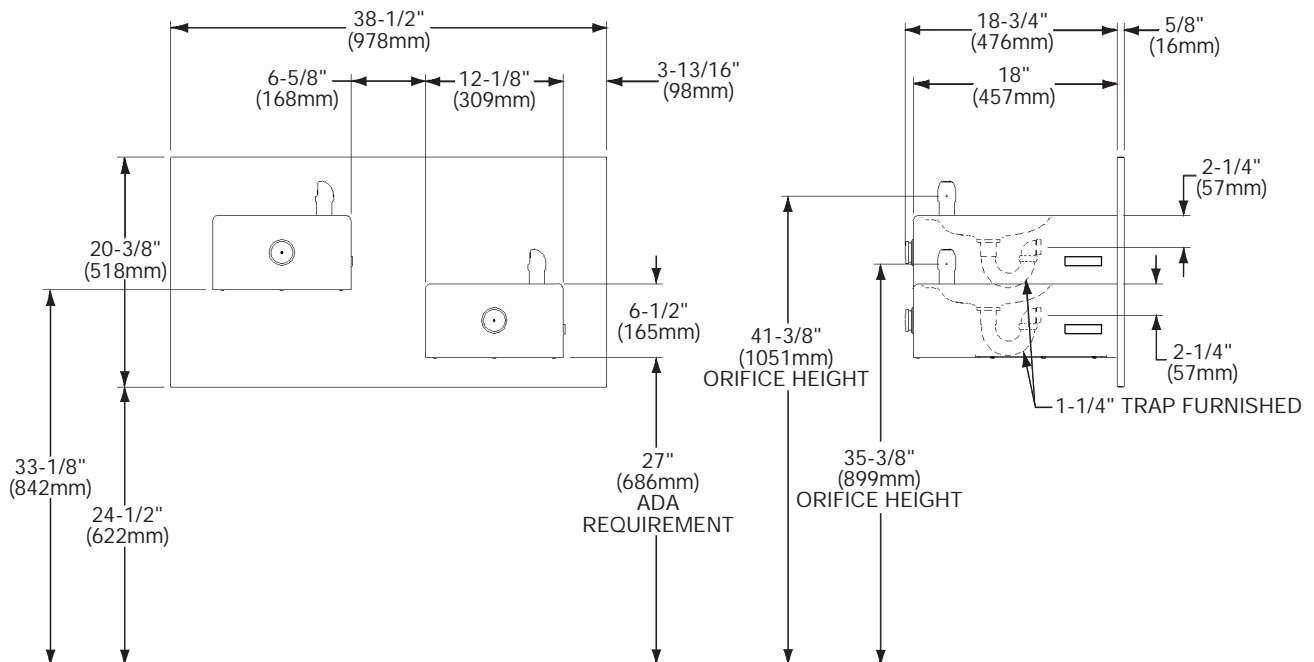


Models EHWM217C & EHW217C

CONSTRUCTION

EHW217C furnished complete with vandal-resistant bubbler, fully assembled front push-buttons, patented* valve and in-line flow regulator (20 to 105 p.s.i.), and drain, trap assemblies, vandal-resistant 14 gauge bottom cover plates and surface mounting plate. Trap included.

EHW217C does not include the surface mounting plate. To be mounted with MPW200 in-wall mounting plate. ML100 in-wall support legs are optional.



* Patent #4,481,971

In keeping with our policy of continuing product improvement, Elkay reserves the right to change product specifications without notice.

This specification describes an Elkay product with design, quality and functional benefits to the user. When making a comparison of other producers' offerings, be certain these features are not overlooked.

Elkay

elkayusa.com

2222 Camden Court
Oak Brook, IL 60523

Printed in U.S.A.
©2008 Elkay

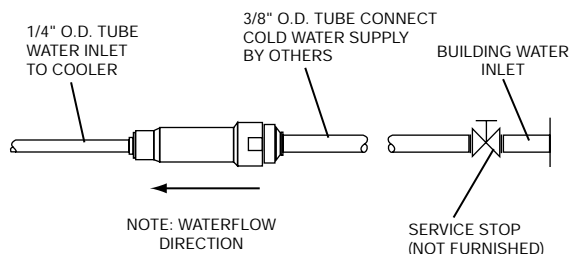
(Rev. 5/08) 14-50B

Heavy Duty 14 Gauge Drinking Fountain
 Wall Mount, Fully Exposed
 Barrier-Free Access
 Model EHWM217C

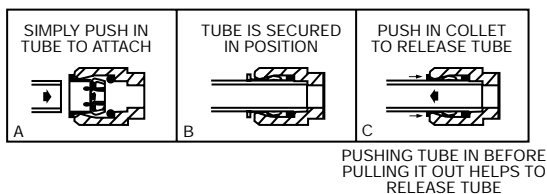
ELKAY®
 ROUGH-IN DIMENSIONS

INSTALLER NOTE

THIS DRINKING FOUNTAIN IS FURNISHED WITH A BUBBLER AND VALVE INCLUDING ALL CONNECTING FITTINGS WHICH ARE MANUFACTURED OF COMPLETELY LEAD FREE MATERIAL. IT IS RECOMMENDED THAT SHUT OFF VALVE AND SUPPLY TUBING SUPPLIED BY OTHERS BE NON-METALLIC.



OPERATION OF QUICK CONNECT FITTINGS



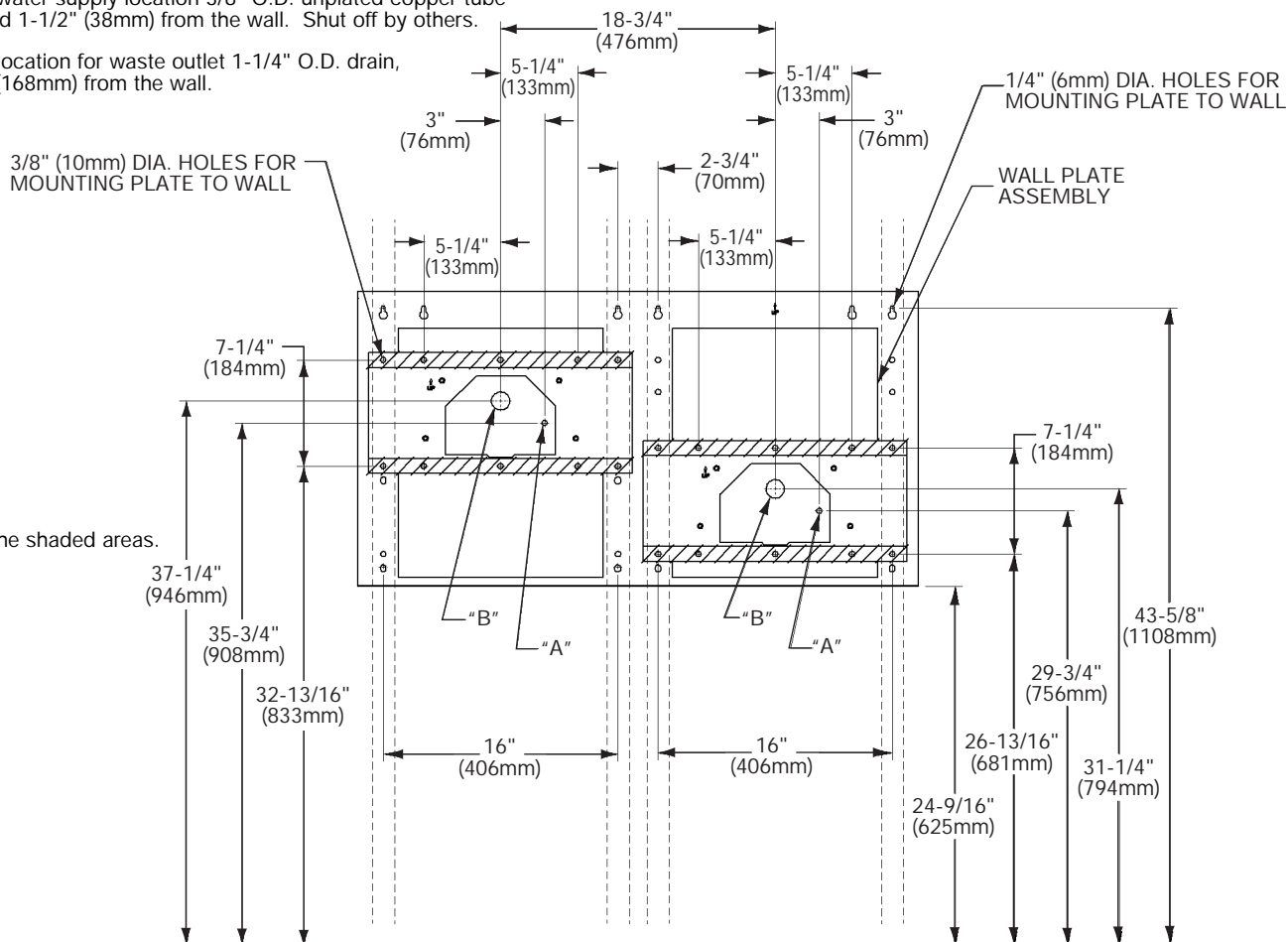
When installing EHWM217C which includes a surface mounting plate, refer to the diagrams shown below.

For electrical, waste, and water supply locations, refer to the Installation/Owners manual.

LEGEND

A = Recommended water supply location 3/8" O.D. unplated copper tube connect, stubbed 1-1/2" (38mm) from the wall. Shut off by others.

B = Recommended location for waste outlet 1-1/4" O.D. drain, stubbed 6-5/8" (168mm) from the wall.



Note:
 Reinforce the wall in the shaded areas.

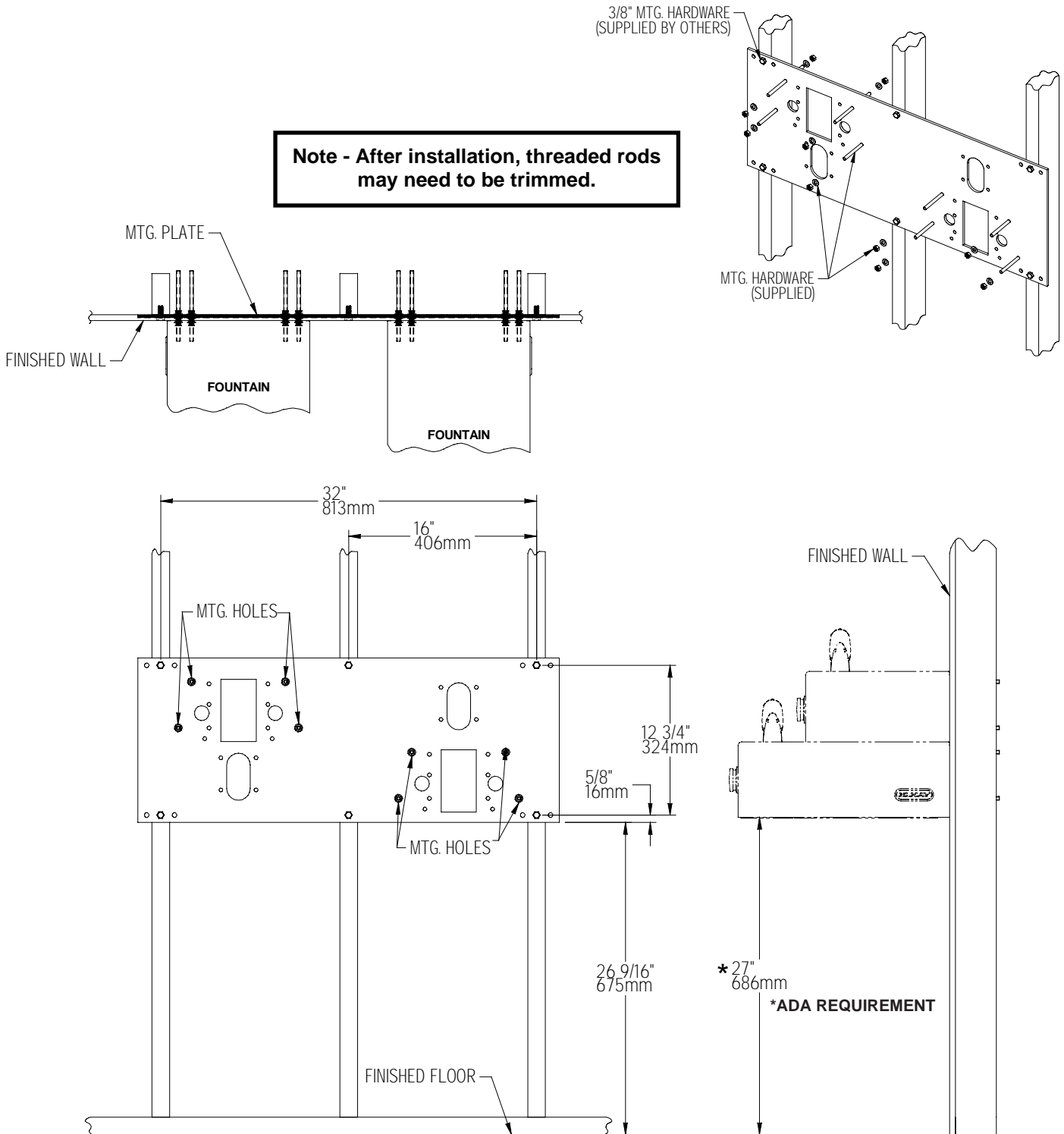
ELKAY®

ROUGH-IN DIMENSIONS

Heavy Duty 14 Gauge Drinking Fountain
 Wall Mount, Fully Exposed
 Barrier-Free Access
 Model EHW217C with MPW200

When installing EHW217C with MPW200 in-wall plate mounted directly to wall studs, refer to the diagrams shown below.
For electrical, waste, and water supply locations, refer to the Installation/Owners manual.

Note - After installation, threaded rods may need to be trimmed.



In keeping with our policy of continuing product improvement, Elkay reserves the right to change product specifications without notice.

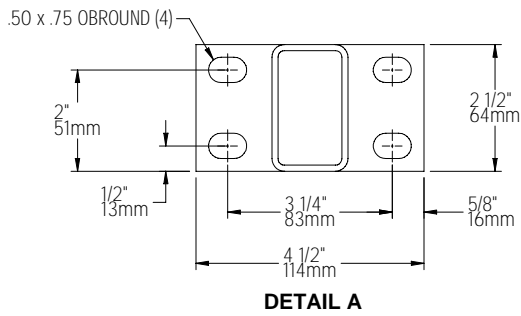
This specification describes an Elkay product with design, quality and functional benefits to the user. When making a comparison of other producers' offerings, be certain these features are not overlooked.

Heavy Duty 14 Gauge Drinking Fountain
 Wall-Mount, Fully Exposed
 Barrier Free Access
 Model EHW217C with MPW200 & ML100

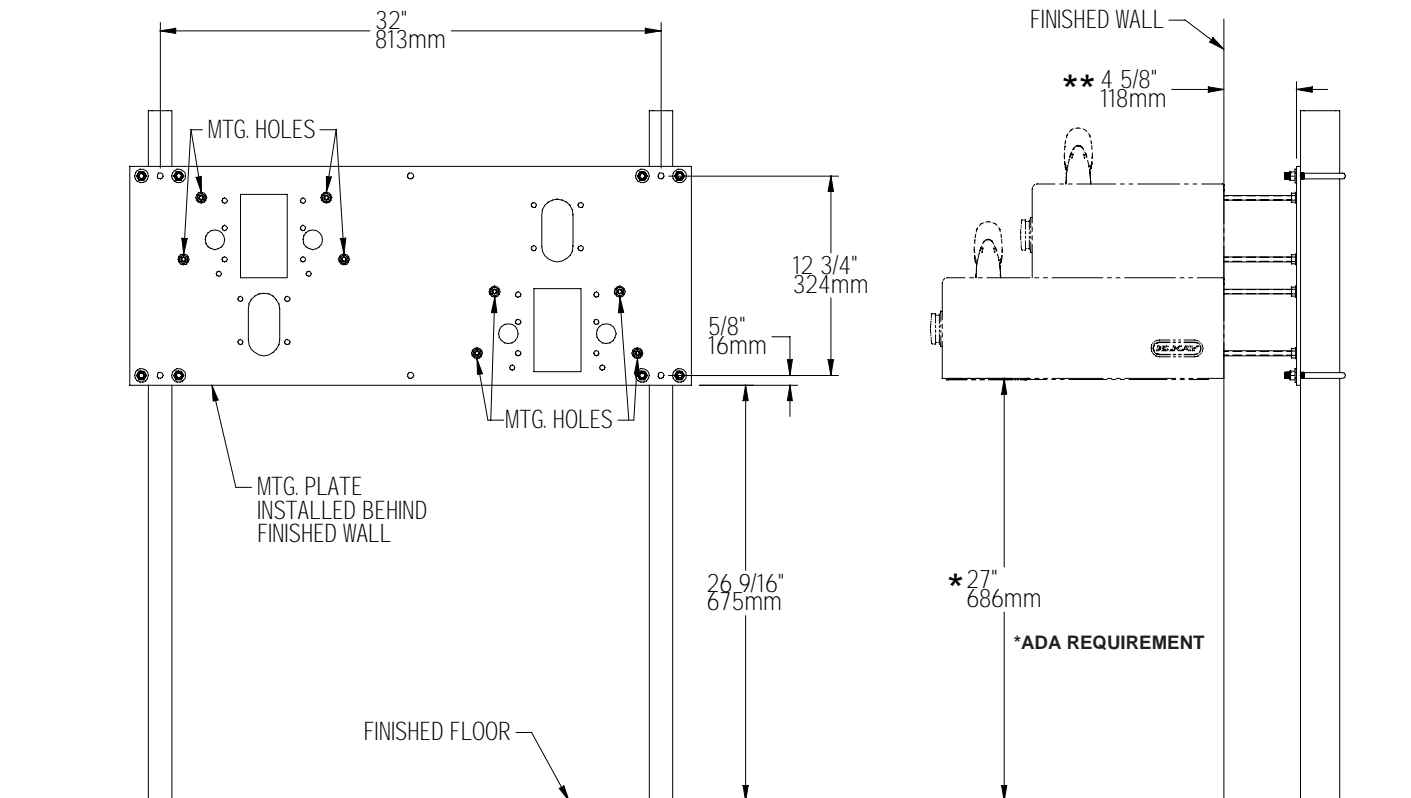
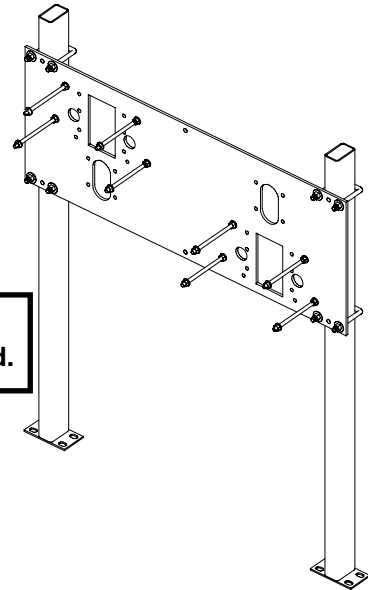
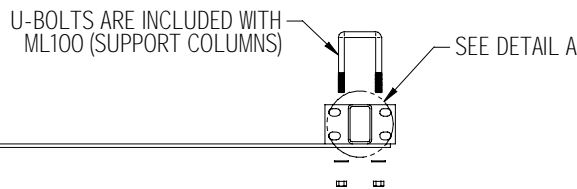
ELKAY®
 ROUGH-IN DIMENSIONS

When installing EHW217C with MPW200 in-wall plate and ML100 support legs, refer to the diagrams shown below.

For electrical, waste, and water supply locations, refer to the Installation/Owners manual.



Note - After installation, U-bolts and threaded rods may need to be trimmed.



**WITH STANDARD STUD LENGTH OF 6 INCHES