

ELKAY® SPECIFICATIONS

Heavy Duty 14 Gauge Drinking Fountain Wall Mount, Fully Exposed Slimline®, Barrier-Free Access Model EHWM14C

GENERAL

Wall mounted drinking fountain constructed of #14 gauge, type 304, stainless steel polished to a satin finish.

Contoured basin minimizes splashing and has vandal-resistant bubbler. Keyed in location to prevent rotation. Easy to operate, fully functional push button is vandal-resistant. Bottom cover plate included. Patented* valve and in-line flow regulator provides stream from 20 to 105 psi.

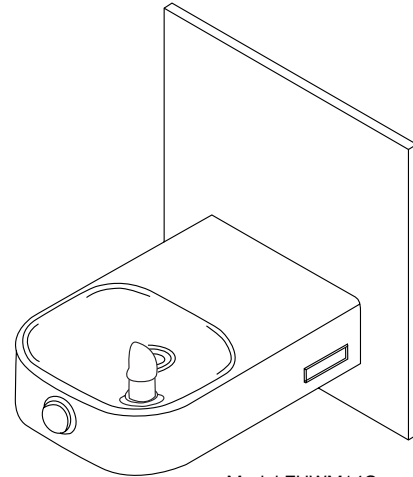
THIS DRINKING FOUNTAIN COMPLIES WITH THE REQUIREMENTS OF A.D.A. (AMERICANS WITH DISABILITIES ACT) WHEN PROPERLY INSTALLED. UNIT IS COMPLIANT IF INSTALLED IN AN ALCOVE AND IS ALSO COMPLIANT WHEN MOUNTED ON AN EXPOSED WALL IF A WING WALL IS LOCATED ON THE LEFT SIDE OR IF A APRON IS INSTALLED UNDER THE UPPER UNIT.

NO LEAD DESIGN

THIS DRINKING FOUNTAIN COMPLIES WITH THE LEAD-FREE DEFINITION IN THE SAFE DRINKING WATER ACT OF 1986 AND LEAD CONTAMINATION CONTROL ACT OF 1988.

Elkay Drinking Fountains are manufactured with a waterway system utilizing copper components and completely lead-free material. These waterways have no lead because all leaded materials, such as leaded brass, have been removed.

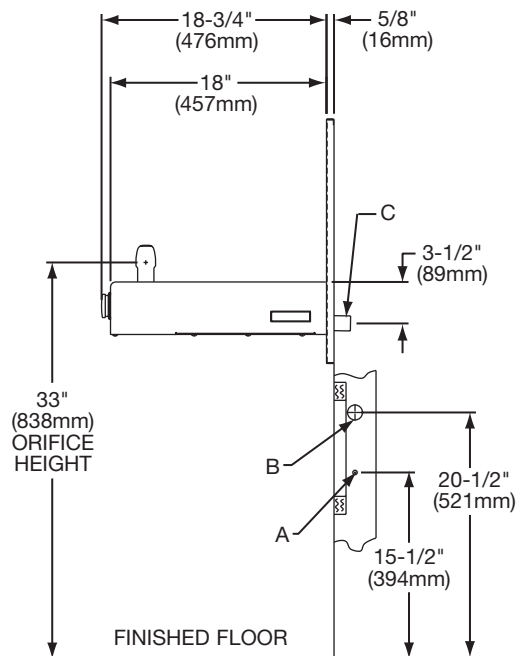
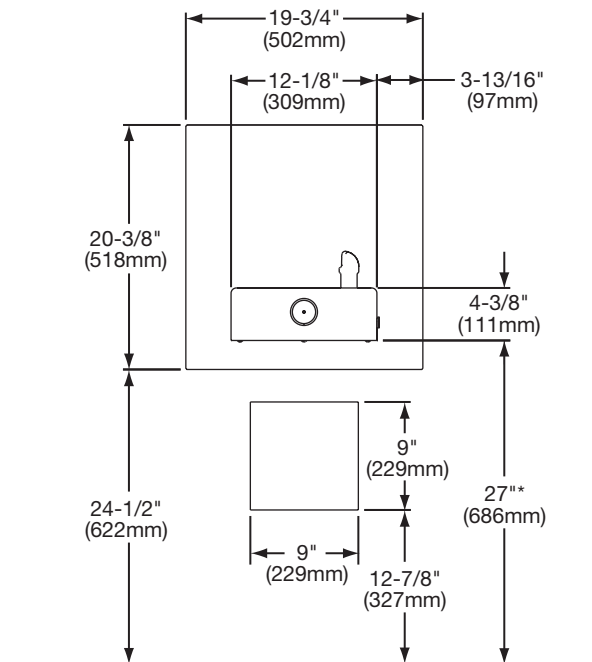
This drinking fountain is certified to **NSF/ANSI 61**.



Model EHWM14C

CONSTRUCTION

EHWM14C furnished complete with vandal-resistant bubbler and easy to operate, vandal-resistant front push button. Patented* valve and in-line flow regulator provides stream from 20 to 105 psi. Stainless steel wall plate with surface mounting plate and vandal-resistant 14 gauge bottom cover plate included. Trap furnished by others.



LEGEND

A = Recommended water supply location 3/8" O.D. unplated copper tube connect stubbed 1-1/2" (38mm) from wall shut off by others.

B = Recommended location for waste outlet 1-1/4" O.D. drain.

C = 1-1/4" Drain furnished.

*Adult ADA Requirement.

*24" (610mm) for Child ADA, adjust other measurements accordingly.

* Patent #4,481,971

In keeping with our policy of continuing product improvement, Elkay reserves the right to change product specifications without notice.

This specification describes an Elkay product with design, quality and functional benefits to the user. When making a comparison of other producers' offerings, be certain these features are not overlooked.

Elkay

elkayusa.com

2222 Camden Court
Oak Brook, IL 60523

Printed in U.S.A.
©2006 Elkay

(Rev. 7/06) 14-47A

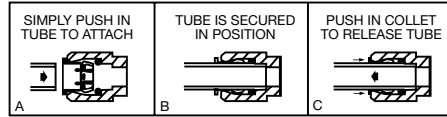
Heavy Duty 14 Gauge Drinking Fountain
Wall Mount, Fully Exposed
Slimline®, Barrier-Free Access
Model EHWM14C

ELKAY®
SPECIFICATIONS

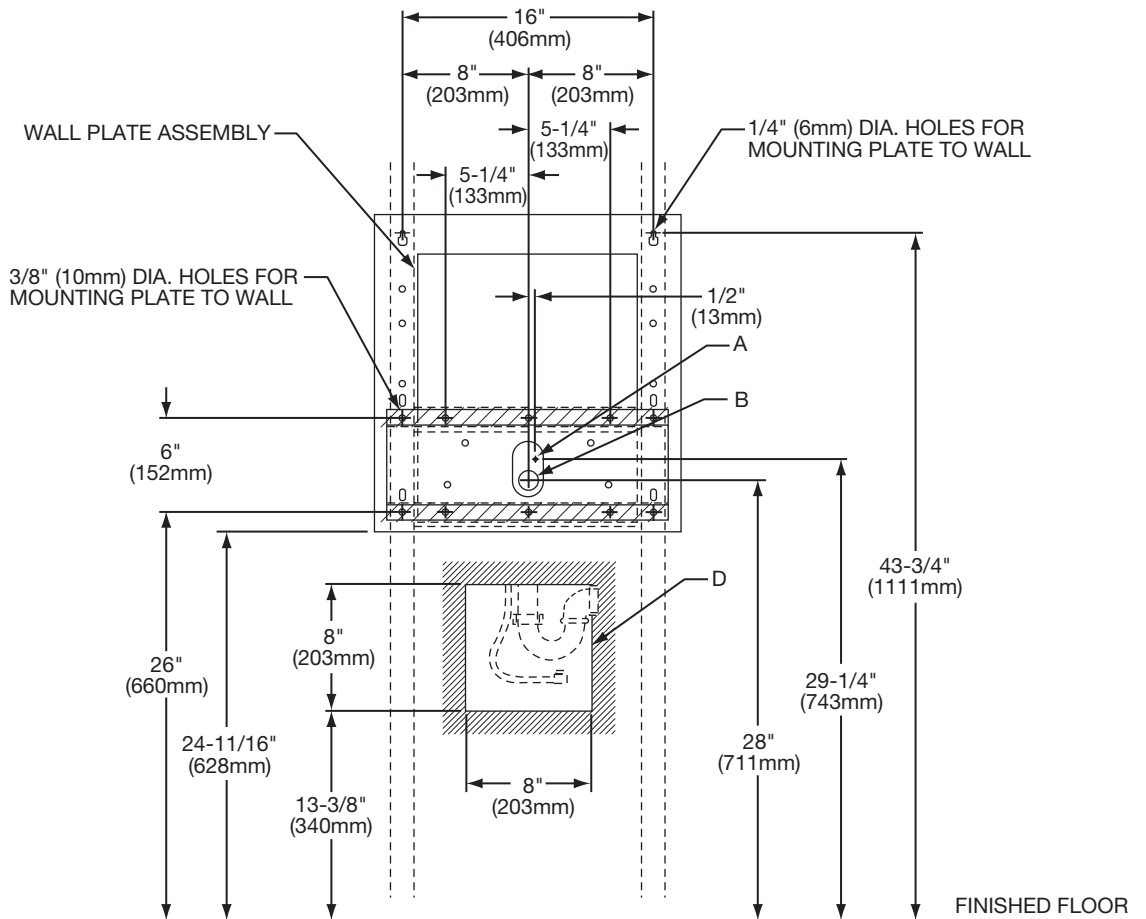
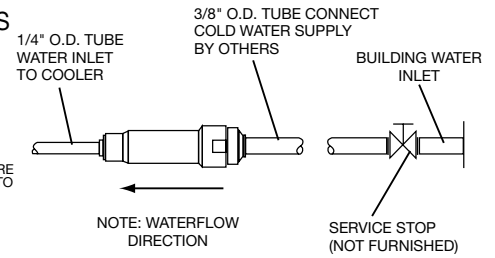
INSTALLER NOTE

THIS DRINKING FOUNTAIN IS FURNISHED WITH A BUBBLER AND VALVE INCLUDING ALL CONNECTING FITTINGS WHICH ARE MANUFACTURED OF COMPLETELY LEAD FREE MATERIAL. IT IS RECOMMENDED THAT SHUT OFF VALVE AND SUPPLY TUBING SUPPLIED BY OTHERS BE NON-METALLIC.

OPERATION OF QUICK CONNECT FITTINGS



PUSHING TUBE IN BEFORE PULLING IT OUT HELPS TO RELEASE TUBE



LEGEND

- A = Recommended water supply location 3/8" O.D. unplated copper tube connect stubbed 1-1/2" (38mm) from wall shut off by others.
 - B = Recommended location for waste outlet 1-1/4" O.D. drain.
 - D = Opening for optional AP99 access panel.
- NOTE: Reinforce the wall in the shaded areas.