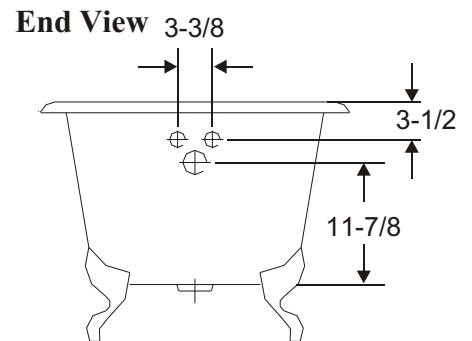
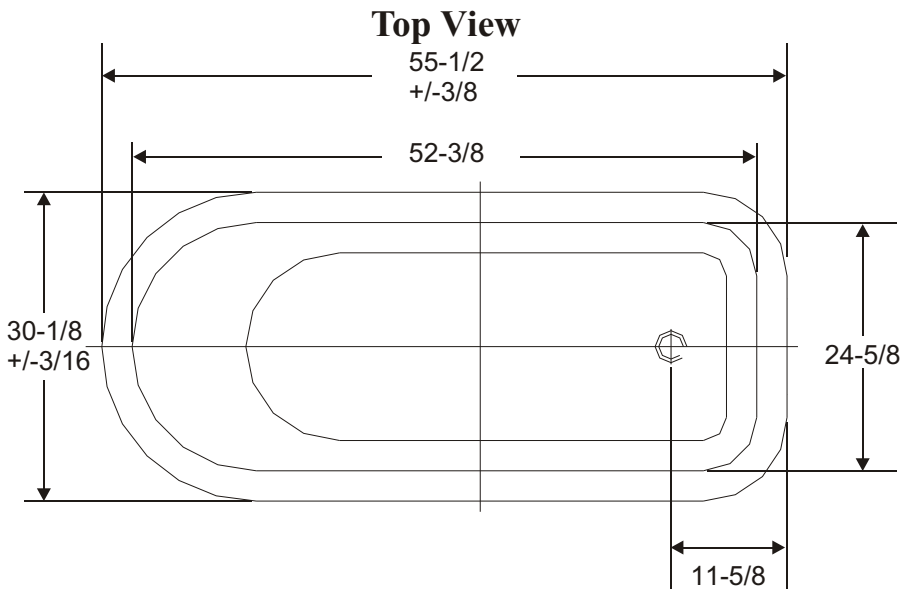




# Elizabethan Classics

## Specification for ECRT54TW

Hole	Diameter
Drain	2" +/- 1/8
Over Flow	2-1/4" +/- 3/16
Faucet	1-3/8" +/- 1/8
Capacity	29 US Gallon
Weight of Tub	209.44 lbs
Weight of Tub filled with water	453.64 lbs



**FSMR** Feet Placement Diagram

