

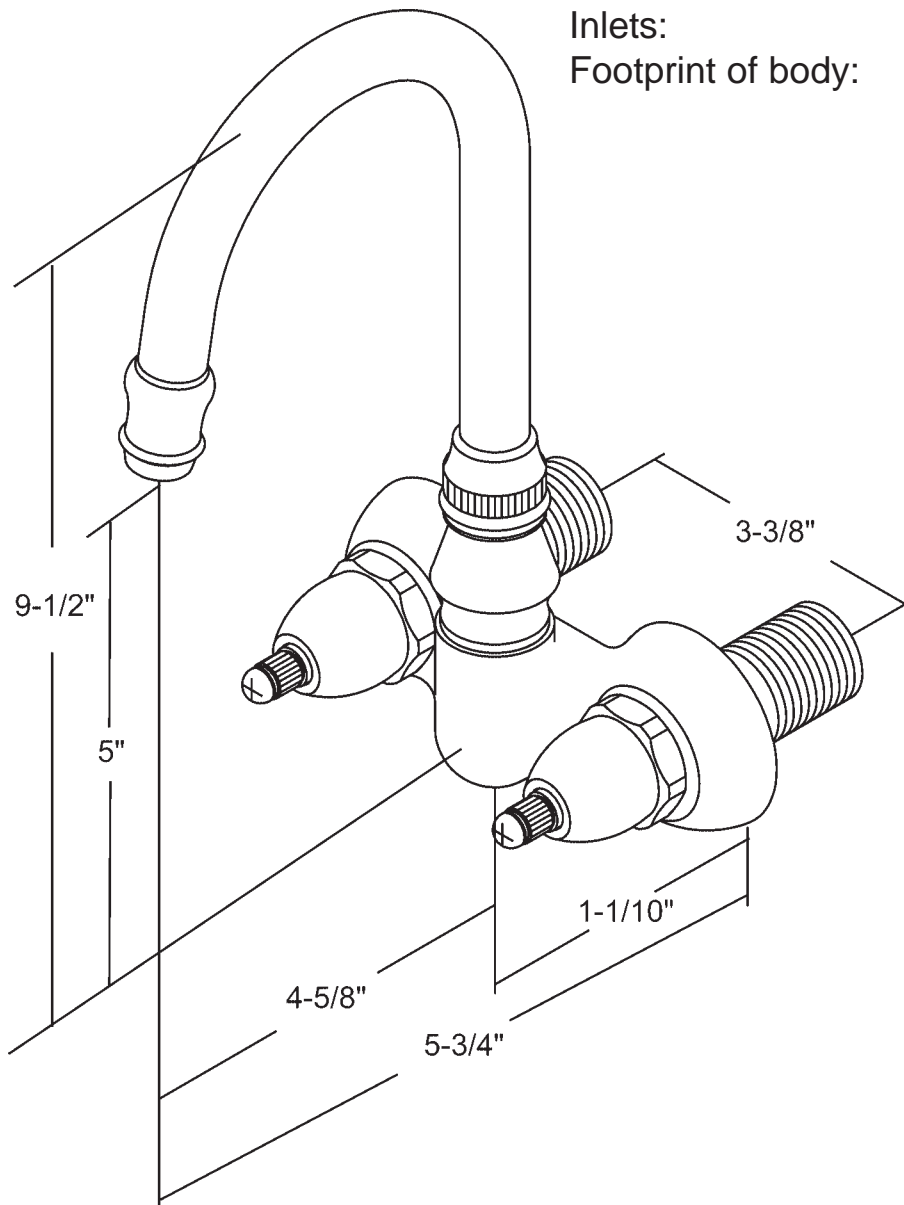


# Specification for **TW36 - TW40**

For Tubwall Mount Only  
1/4" Turn Washerless Cartridges

Flow Rate : 5.5 GPM @ 60 PSI

Inlets: 1" OD  
Footprint of body: 5<sup>3</sup>/<sub>4</sub>" x 2<sup>1</sup>/<sub>16</sub>"



Revised 1/15/03