

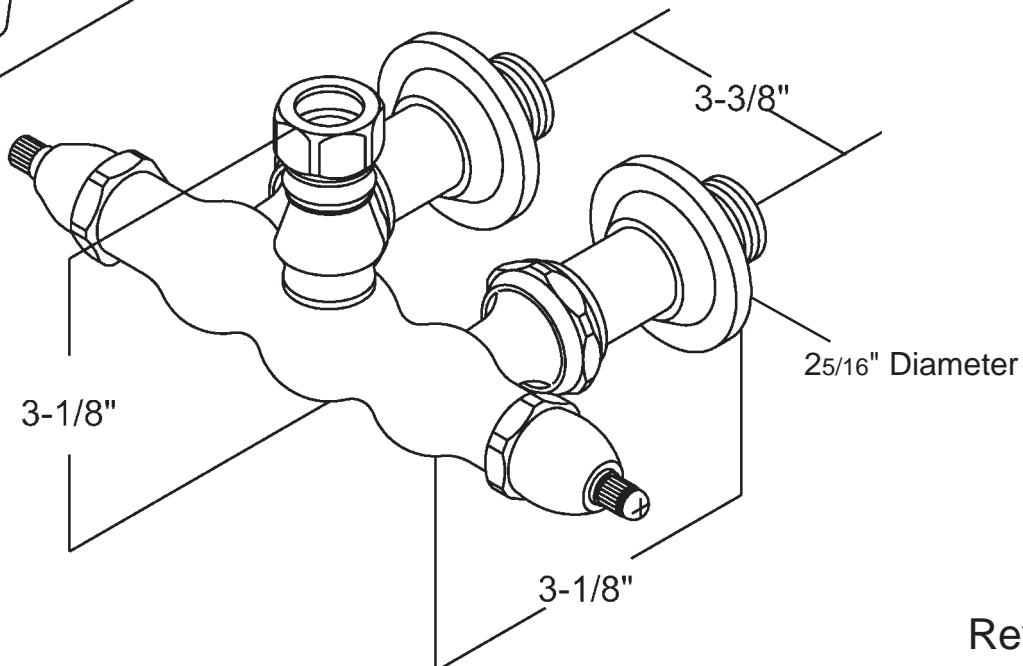
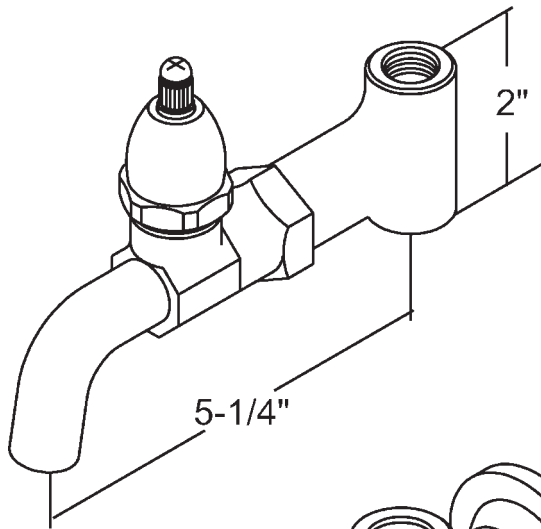
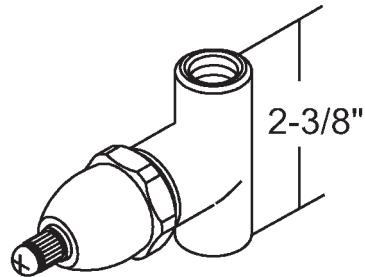


Specification for TW17 - TW19

Tubwall Mount
1/4" Turn Washerless Cartridges

Tub Filler Flow Rate :
6.0 GPM @ 60 PSI

Inlets: 1" OD
Total Thread Length: 1 15/16"
Thread Length w/Esc: 1 3/8"





Specification for TW17 - TW19 (Cont.)

