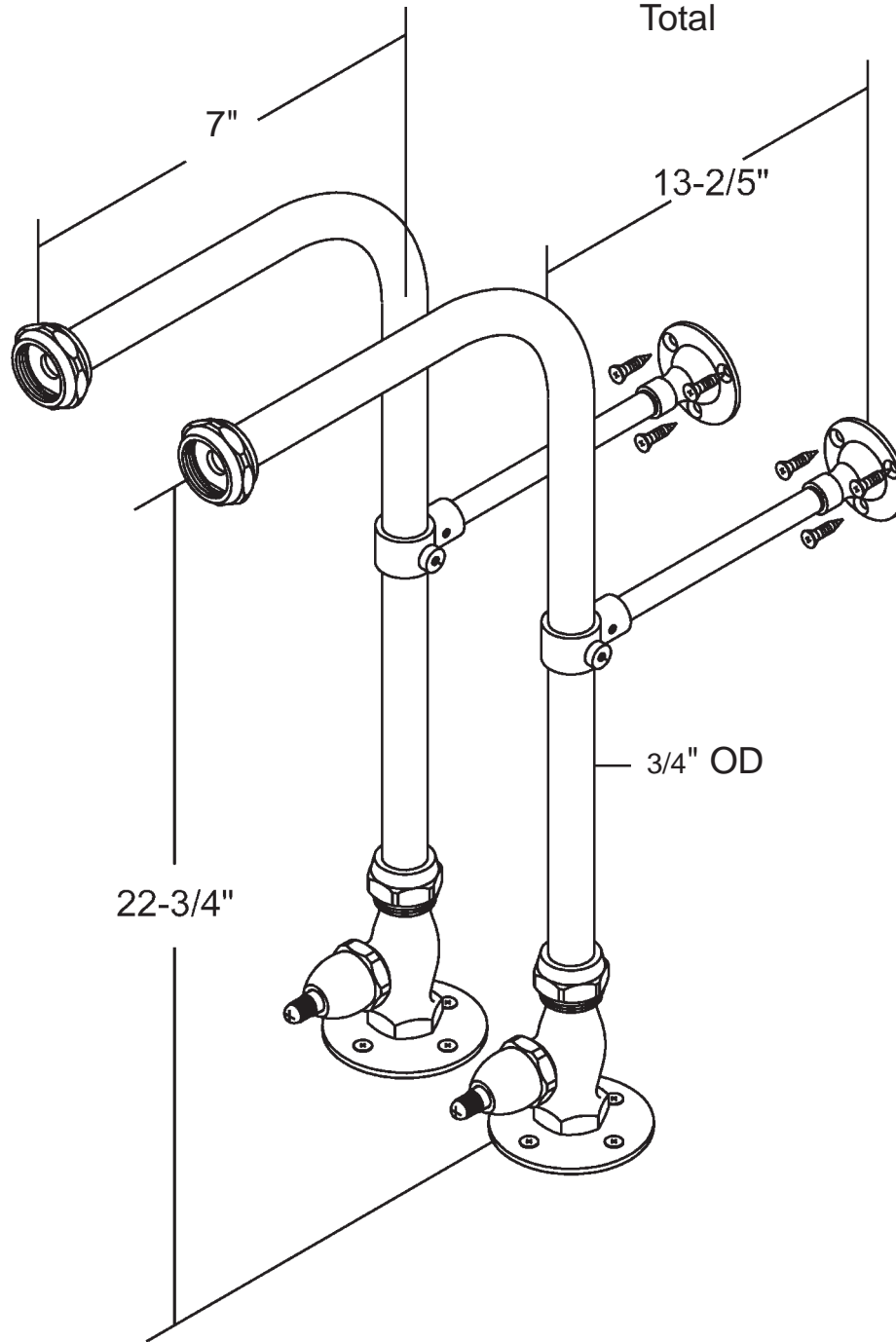




Specification for **FSS01 - FSS05**

Inlets	1/2" IPS
Flow Rate @ 60PSI	
Hot Valve	3.8 GPM
Cold Valve	3.8 GPM
Total	7.6 GPM



Revised 1/21/03