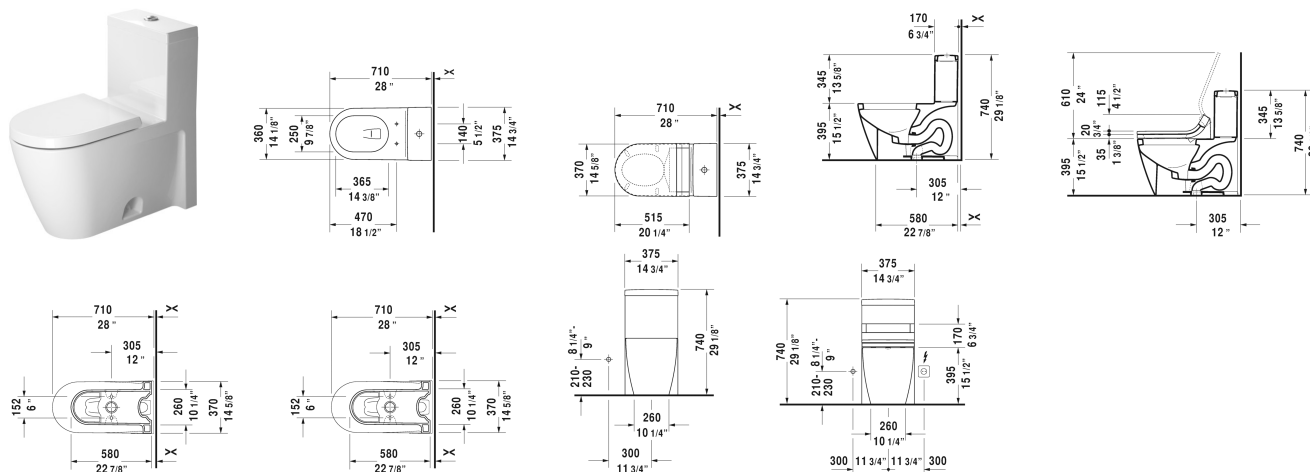


**One-Piece toilet # 2133010005**

**< 14 3/4" Inch >**



One-Piece toilet	Dimension	Weight	Order number
US-version toilet, suitable for SensoWash Starck, syphonic, 12" rough-in, with Single Flush piston valve, top flush, vertical outlet, cUPC listed, 1.28 gpf			
<b>Colors</b>			
00 White			
<b>Variant</b>			
•	14 3/4" x 28 1/8" Inch	125.7 lb	2133010005
Sanitary ceramics with the special WonderGliss surface finish will remain clean and attractive-looking for a long time to come. When ordering WonderGliss please add a "1" as eleventh digit to the model number.			
Toilet seat and cover elongated, hinges stainless steel, without slow close		4.4 lb	006332
Toilet seat and cover elongated, hinges stainless steel, with slow close, removable		4.4 lb	006339
Mounting set for One-piece and Two-piece toilets, 1/2", US-version		1.1 lb	001431
SensoWash Starck shower-toilet seat remote control included, CIAPMO®ELECTRICAL, power actuated lid and seat, rear-, front and oscillating wash, individual adjustment of water-, air- and seat surface temperature as well as nozzle position and jet strength, self-cleaning wand, 2 individually programmable user profiles, night light, Quick release: easy seat unit removal and attachment, on / off-button	14 5/8" x 20 1/4" Inch	12.6 lb	610000

All drawings contain the necessary measurements which are subject to standard tolerances. They are stated in inch & mm and are non-



**One-Piece toilet # 2133010005**

**|< 14 3/4" Inch >|**

---

*binding. Exact measurements, in particular for customized installation scenarios, can only be taken from the finished ceramic piece.*