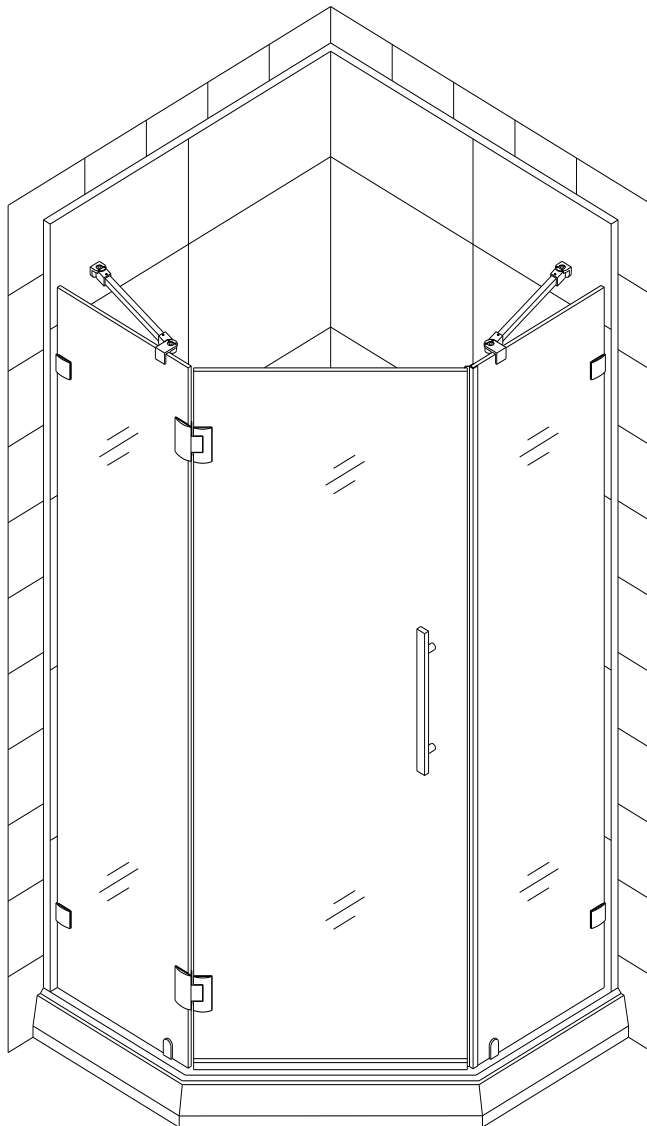




NEOLUX Shower Enclosure Installation Manual

Important

Please read carefully the following instructions before installing your shower door. If you have any questions on this shower enclosure installation, please call our technical support specialists Monday to Friday 9:00AM – 5:00PM EST at 1-866-731-8378 Option 3 or e-mail our technical support group at support@BathAuthority.com

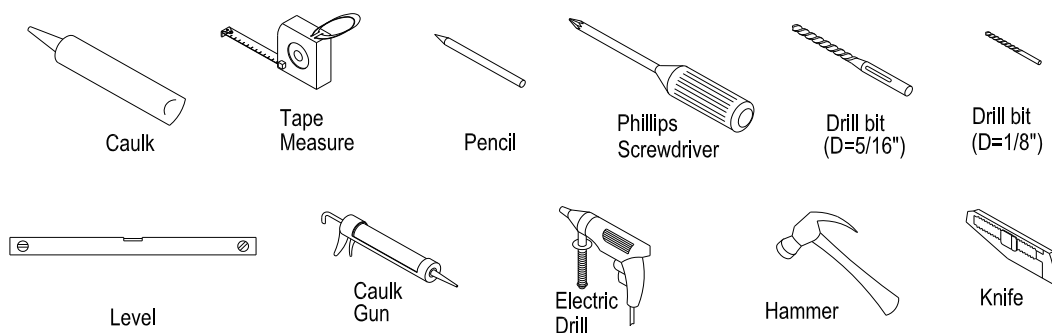


Our product may have changes without prior notice

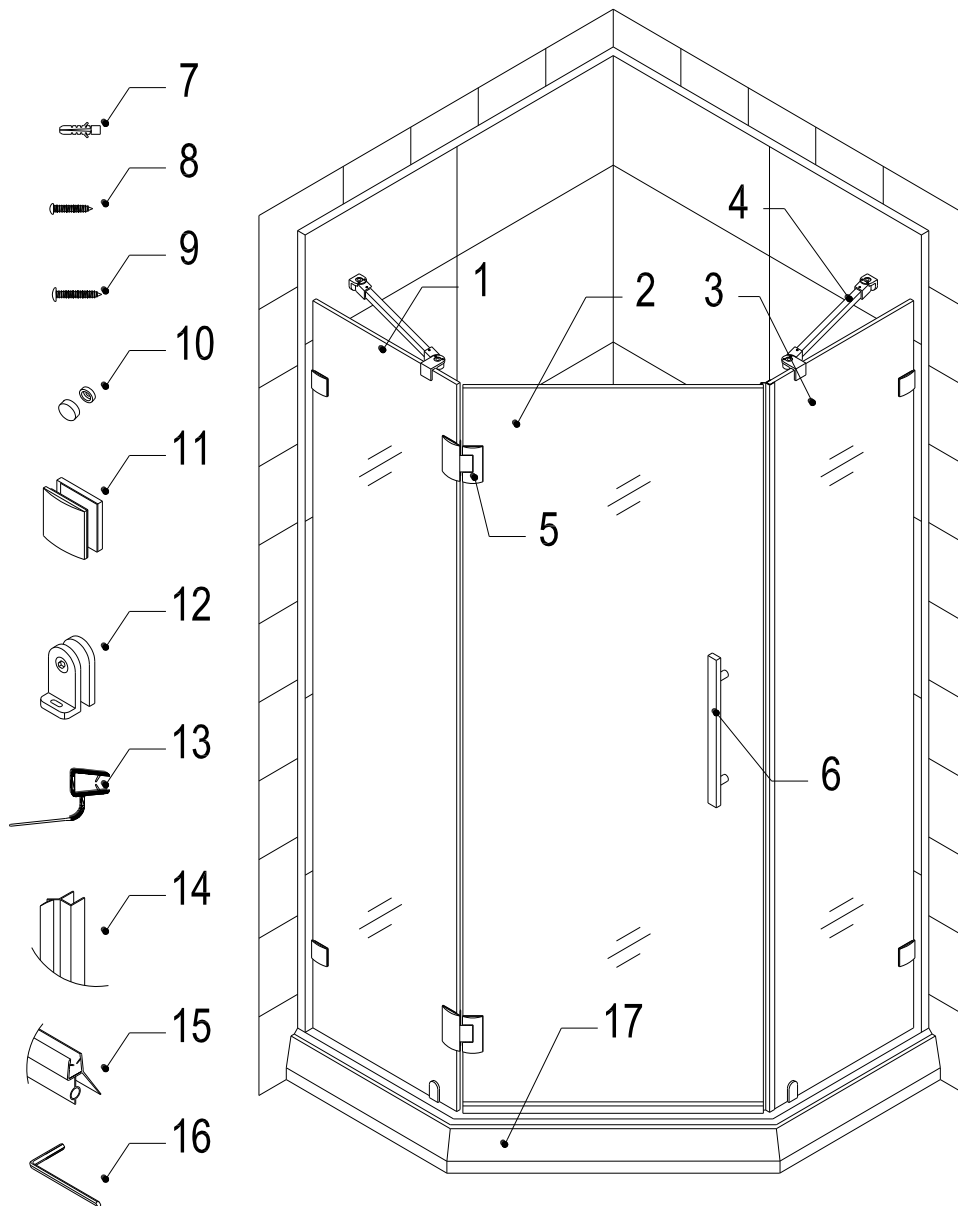
Preparation

1. After opening the boxes, read this introduction carefully, check all the packed parts are complete by cross checking all the components against the "Detailed Diagram of Shower Enclosure Components". Examine for shipping damage. If the unit has been damaged or has a finishing defect, please contact your local distributor within 3 business days. Please note that **Bath Authority™ / DreamLine™ will not replace any damaged product or parts free of charge after 3 business days or if the product has been installed.** Contact your distributor or DreamLine if you have any questions.
2. **Please note that you should consult your local building codes on questions on installation compliance standards. Building and plumbing codes vary by location, and DreamLine is not responsible for code compliance standards for your project.**
3. Please ensure that prior to the installation the floor is leveled and solid. Also make sure the walls are at right angles. While some adjustment in leveling of the door is possible, irregular floor level or improper angle of side walls will result in serious problems for your installation. Please note that there are some adjustments and drilling might be necessary during the installation process.
4. Install a shower tray according to the Tray installation manual. You should do it before the wonder board and finish wall installation. The shower enclosure has to be installed after you finish the wall.

Tools Required



Detailed Diagram of Shower Enclosure Components



Packing List

01	Stationary glass 1	1pc	10	Decorative cover	2pcs
02	Glass door	1pc	11	Wall Bracket	4pcs
03	Stationary glass 2	1pc	12	Base bracket	2pcs
04	Support bar	2pcs	13	Side strip (3 sections to cut)	1pc
05	Hinge	2pcs	14	Anti-water strip	1pc
06	Handle	1pc	15	Bottom anti-water strip	1pc
07	Wall Anchor	6pcs	16	Allen Key	1pc
08	Round head screw ST4.2x30	2pcs	17	Shower tray (optional)	1pc
09	Screw ST4.2x30	6pcs			

After you have checked that all components are there, you will be ready to start the installation of your DreamLine shower enclosure.

Installation

1. Locate the **Stationary glass 1 (01)** and the **Wall brackets (11)** in the package. Attach **Wall brackets** to the glass panel.
Note: Parts of the **Wall Brackets** with the mounting holes should face inward so that when glass panels are in place, mounting bolts are only visible from the inside. Mounting hole for the Base bracket should be at the bottom. See fig. 1 for details.
2. Place the **Stationary glass panel** with attached **Wall Brackets** to the designated position on the threshold or tray, make sure it's leveled and plumbed and mark the position of the **Wall Brackets** on the wall. See fig. 2 for details.
Be sure that the Stationary glass panel is absolutely vertical.
3. Take the glass panel from the threshold and remove the **Wall Brackets**.
4. Using the removed **Brackets**, mark the position of the holes for **Wall Bracket** installation on the wall. Drill the holes and insert the **Wall Anchors (07)** into the holes. Attach the **Wall Brackets** to wall using the **Round head screw ST 4.2x30 (09)**. See Fig. 3 for details. (**Note that all parts of the wall brackets with the mounting holes should face inward in final installation**).
5. Place the **Stationary glass panel** against the installed **Brackets** and secure it to the wall by attaching the fastening parts of the **Wall Brackets** to the mounted parts with the supplied screws.
6. Locate the **Support bar (04)** from the package and loosen the glass holding screws on the gliding channel. Place the **Support bar** with the channel end on the glass top edge and the bracket end flat on the wall. Adjust the bar to a proper position and level it horizontally. Hold it firmly and outline the bracket's position on the wall with a pencil. Take off the **Support bar** and remove the bracket from it. Place the bracket against its position on the wall and mark the position for the drill hole. Drill the hole, insert the anchor and attach the bracket onto the wall with **Screw ST 4.2x30 (09)**. Replace the **Support bar** with channel seated on the glass and the other end underneath the bracket. Attach it to the bracket with the set-screw provided by using **Allen Key (16)**. Straighten the bar and fasten both set-screws and the glass holding screw to secure the glass. See fig. 4. 5 for details.
7. Repeat Steps 1, 2, 3, 4, 5 and 6 to install the **Stationary glass 2 (03)** and attach the second support bar to the glass. See fig. 1, 2, 3, 4 and 5 for details.
8. Attach the **Hinges (05)** onto the stationary glass with the decorative non-screw side facing outwards. Hook the **Glass door (02)** from the inside. Perform necessary adjustment to have the top edge of the door in line with those of both stationary glass panels. See fig. 6 for details.
9. Measure the distance between the top edge of the glass door and upper edge of the top hinge. Cut the piece off the **Side strip (13)** with a knife in the length according to your measurement. Repeat it to prepare the short strip for the lower section of the glass door. Then measure the distance between the bottom edge of the top hinge and the upper edge of the bottom hinge and cut the rest of the strip to size. Open the door to its full section and push all the strip lengths onto the vertical edge of glass door. Push the **Bottom anti-water strip (15)** on the bottom edge of the glass door and the **Anti-water strip (14)** on the vertical edge of the stationary glass 2. See fig. 7 for details.
10. Mount the **Handle (06)** onto the door. See fig. 8 for details.
11. Attach the **Base bracket (12)** to the stationary glass. Mark a hole in the threshold or tray through the slotted hole of the **Bracket**. Secure the **bracket** onto the threshold using **Round head screw ST 4.2x30 (08)** and cover the exposed screw head with **Decorative Cover (10)**. See fig. 9 for details.
12. Seal with silicone between threshold and stationary glass and between the wall and the stationary glass.

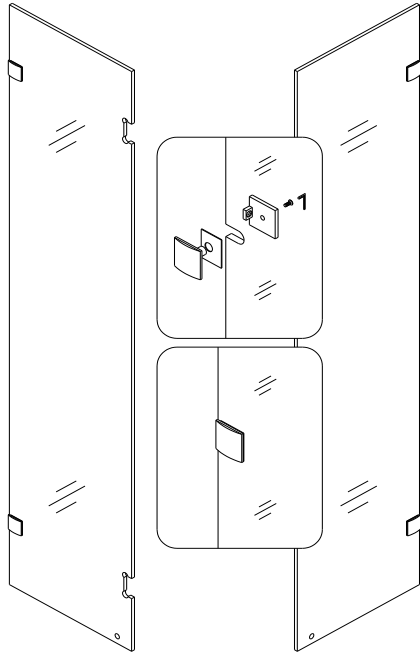


Fig. 1

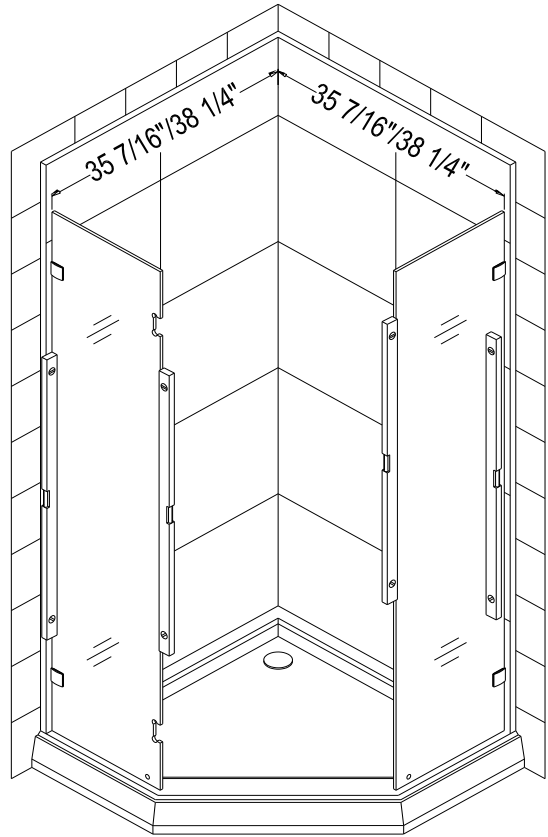


Fig. 2

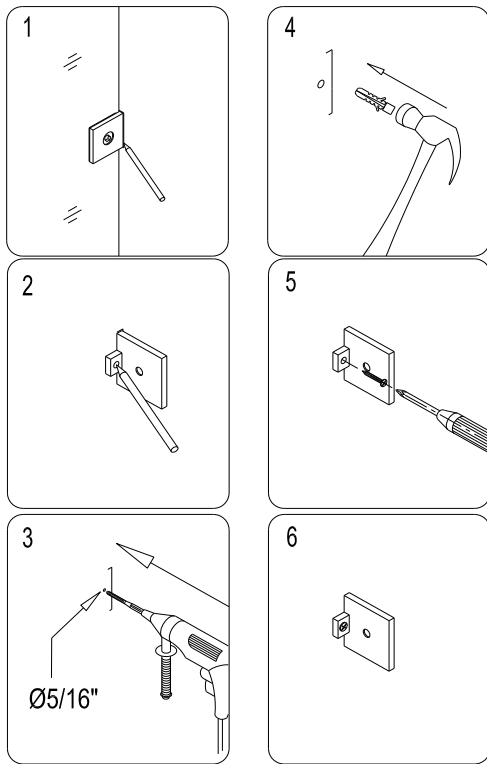


Fig. 3

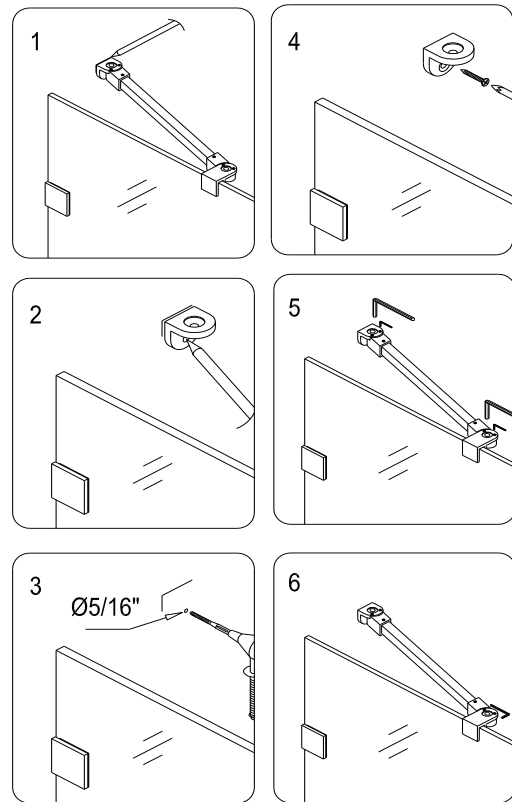


Fig. 4

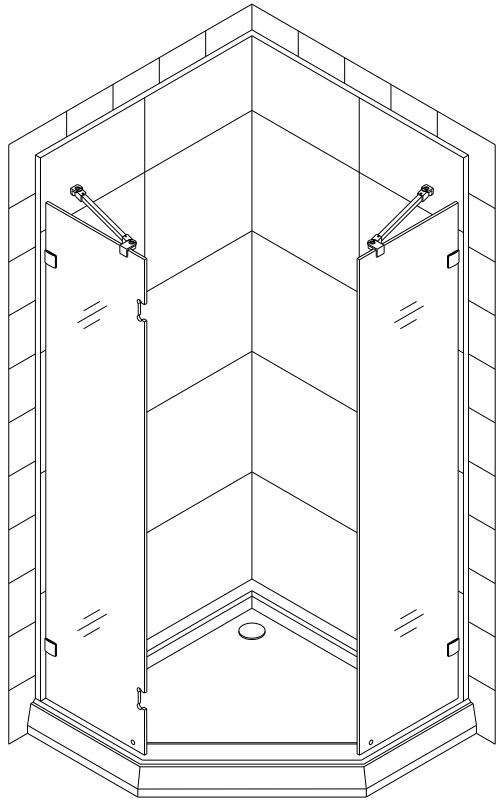


Fig. 5

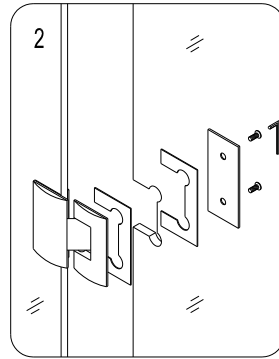
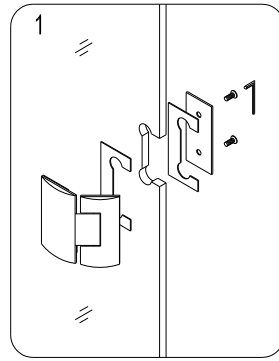


Fig.6

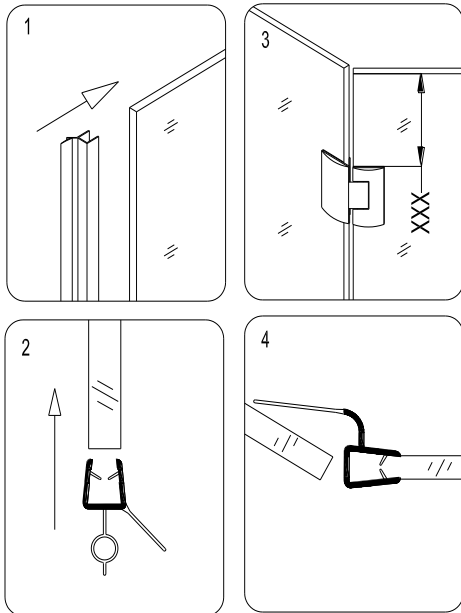


Fig. 7

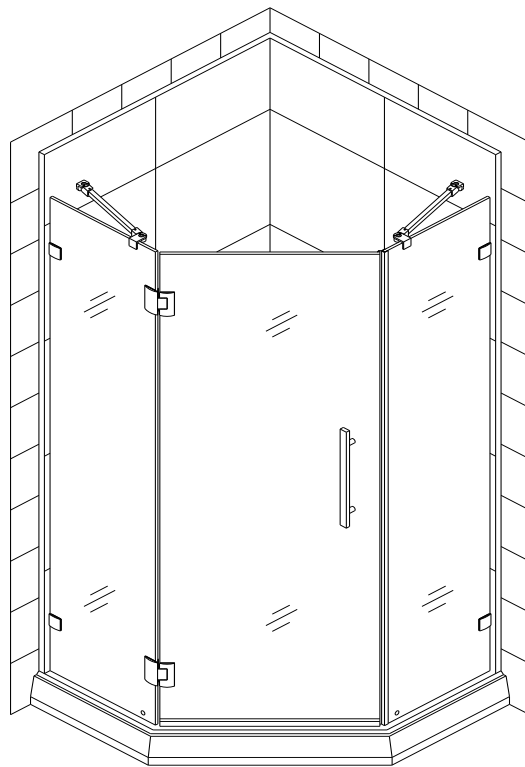


Fig. 8

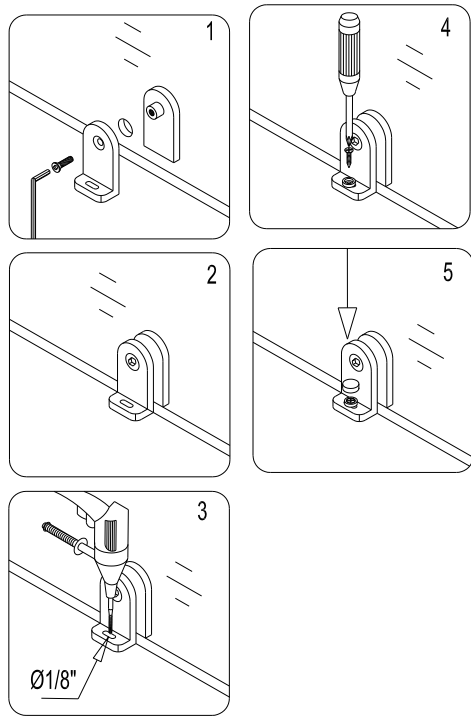


Fig. 9

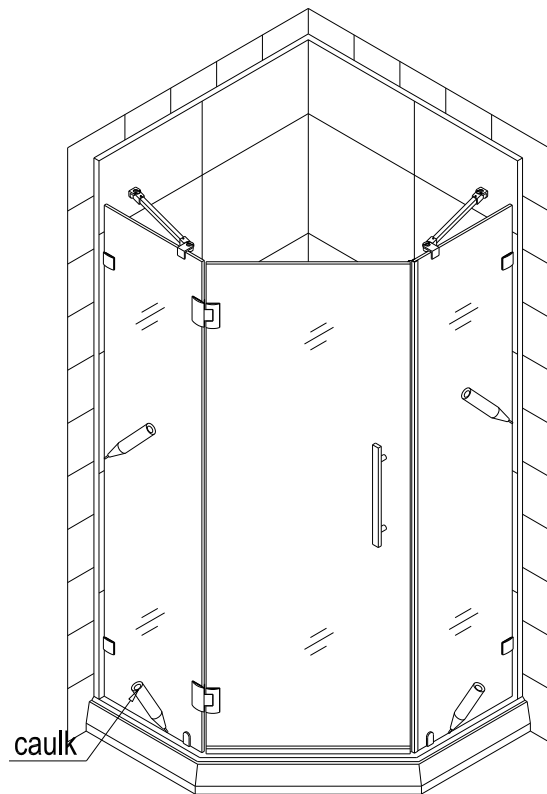


Fig. 10

Maintenance

1. Tempered glass can be cleaned with nonabrasive bathroom cleaner or any glass cleaner you use elsewhere in your home. Rinse off any glass cleaner that gets on the metal parts as soon as possible to avoid damage to the metal surface. Avoid striking it with any sharp or hard objects. Such damage can cause either immediate or delayed breakage of tempered glass.
2. The metal parts in your shower door are durable and resistant to water damage. It is advisable, but not necessary to wipe it with your towel after you shower. Clean it as often as needed to keep the buildup off. Never use any type of abrasive cleaner. Use only a soft damp cloth and nonabrasive bathroom cleaners.