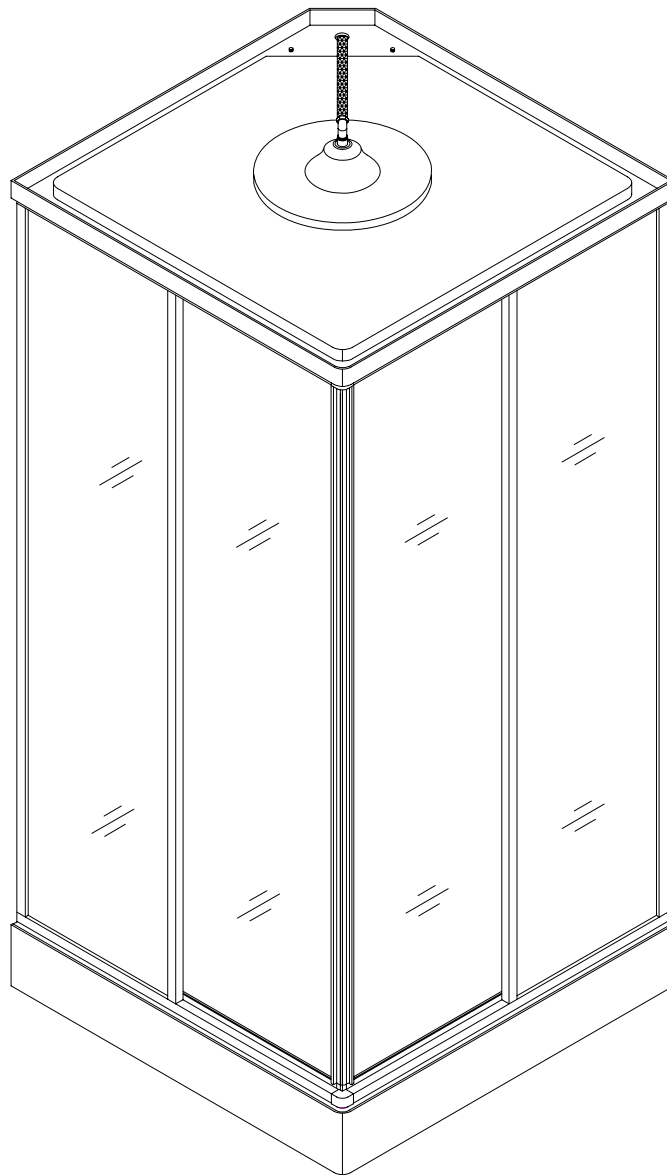




Reflection Steam Room Installation Instructions

IMPORTANT

Please read carefully the following instructions before installing your steam room. If you have any questions on this steam room installation, please call our technical support specialists Monday to Friday 9:00AM – 5:00PM EST at 1-866-731-8378 Option 3 or e-mail our technical support group at support@BathAuthority.com



Our product may have changes without prior notice

WARNING

Please, make sure you do the following:

- ✓ Electrical grounding is required on the steam generator;
- ✓ All electrical supplies must be disconnected when servicing the steam generator;
- ✓ All wiring must be installed by a licensed electrician (please consult your local codes);
- ✓ All plumbing must be installed by a licensed plumber (please, consult your local codes);
- ✓ Never shut off water while steam generator is in use;
- ✓ Never touch the wiring while the unit is in use to avoid electric shock due to high voltage that runs in the equipment.

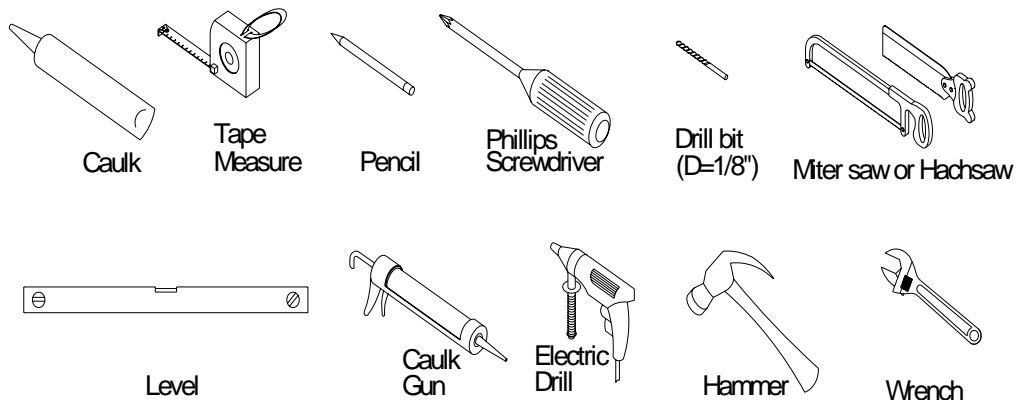
Follow these steps to avoid the risk of overheating or scalding:

- ✓ Exit the shower cabin immediately if you feel uncomfortable, dizzy or sleepy. By staying too long in a heated area you increase the risk of overheating;
- ✓ Do not touch the steam head. Keep 12" distance from the steam outlet when generator is in use;
- ✓ Do not touch the steam head when you are using the steam. It can get hot and cause burns;
- ✓ Make sure children are under supervision at all times;
- ✓ Consult your doctor before using the steam shower cabin if you are pregnant, diabetic, in poor health or under medical care;
- ✓ Do not use alcohol, drugs or medication in conjunction with taking a steam shower as this may cause unconsciousness.

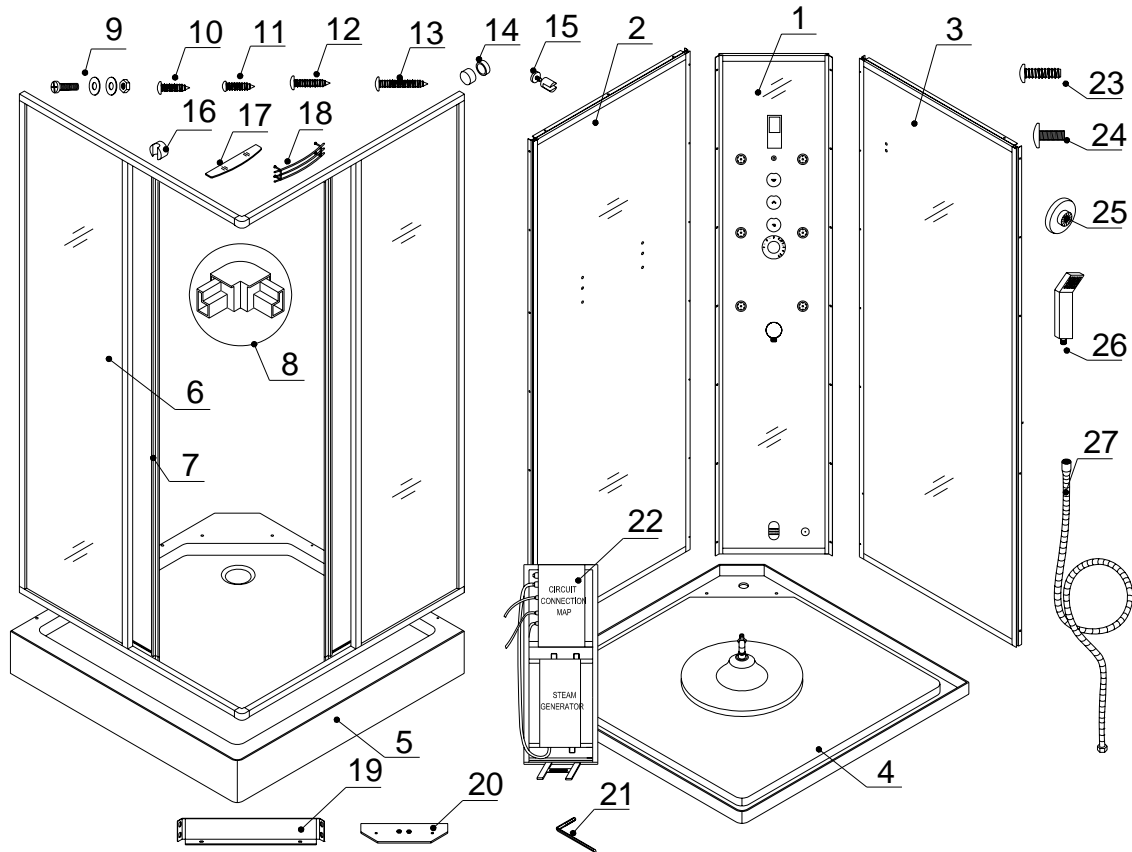
Preparation

1. After opening all boxes, read this introduction carefully, verify that all packed parts are complete by cross checking all the components against the “Detailed Diagram of Steam Cabin Components”. Examine for shipping damage. If the unit has been damaged please contact your local distributor. Contact your distributor if you have any other questions on this product questions.
2. Please note that you should consult your local building codes on questions on installation compliance standards. Building and plumbing codes vary by country and location, and DreamLine™ or your local dealers or distributors are not responsible for code compliance standards for your project.
3. Install all of the required plumbing and drainage before securing the shower. **Use a competent and licensed (if required by local code) plumber for all plumbing installation and licensed electrician for all electric installation.**
4. Please ensure that prior to the installation the floor is leveled and solid and will be able to support the total weight of the unit and its occupant. Also make sure the walls are at right angles. While some adjustment in leveling of the tray is possible, irregular floor level or improper angle of side walls will result in serious problems for your installation. Please note that there are some adjustments and drilling might be necessary during the installation process.
5. During transportation and storage plumbing connections can get loose. Please check all connections before final assembly.

Tools Required



Detailed Diagram of Steam Cabin Components



Packing List

01	Control panel	1pc	15	Glass shelf holder	2pcs
02	Rear left stationary glass	1pc	16	Hand shower bracket	1pc
03	Rear right stationary glass	1pc	17	Glass shelf	1pc
04	Roof	1pc	18	Guardrail	1pc
05	Tray	1pc	19	Fixing bracket	2pcs
06	Front stationary glass panels	2pcs	20	Bracket for steam generator	1pc
07	Glass door	2pcs	21	Hex key 5mm	1pc
08	Connector	2pcs	22	Steam generator	1pc
09	Bolt M4x16	8pcs	23	Bolt M8x12	2pcs
10	Flat head screw ST4.2x10	4pcs	24	Bolt M5x8	8pcs
11	Round head screw ST4.2x10	14pcs	25	Wheel assembly	8pcs
12	Flat head screw ST4.2x16	14pcs	26	Hand shower	1pc
13	Flat head screw ST4.2x25	18pcs	27	Shower hose	1pc
14	Decorative cover	14pcs	28		

Now you have checked that all components are there, you are now ready to start the installation of your Dreamline Steam Room.

Cabin Installation

Install the water outlet and power supply box. You need 1/2" minimum water supply lines for hot and cold water with shut-off valves and 1/2" male connector

(Note: Figure 1 shows water and power location to be installed on the left wall. You can also install it on the right wall symmetrical to left wall drawing).

Power supply is required 20A 220V dedicated #12 3/1 wire line and should be hard wired. Please check your local codes before wiring as your local requirements may be different.

1. Choose the location where your cabin will be installed. Mark the location of the tray. Install the drain pipe according to the drawing. Fig 1. Be sure the upper edge of the 2" elbow or bushing will be on the level or below the floor level. Fig 2 (image 1).
2. Prep the floor where the cabin will be installed. Floor must be **leveled**, strong enough and solid and should be able to support the total weight of the unit and its occupant.
3. Install the drain to the tray according to the drain installation manual (supplied by the drain manufactory) Fig 2 (Image 2).
4. Move the **Tray (05)** to the required position. Check the level of the tray, alignment of the drain pipe and the drain Fig 3 (image 1). If the drain pipe needs to be adjusted – do it now. If tray is not leveled, move the tray out and re-level floor. Place the tray back and check it again.
5. Move the **Tray** out. Apply silicone along the holes on the top of the **Tray**. See Fig 3 (Image 2) for details.
6. Place the **Rear Left stationary glass (02)** onto the tray and then secure it with **ST4.2x25 screws (12)**. Install the **Rear Right stationary glass (03)** the same way. Then attach the top **Fixing bracket (19)** to both stationary glass panels with **Bolt M4x16 (09)**. Attach the bottom **Fixing bracket** the same way and secure it onto the tray with **Flat head screws ST4.2x25 (13)**. See Fig 4 & 5 for details.
7. Mount the **Hand shower bracket (16)** on the right stationary glass and the **Glass shelf holders (15)** on the left. See Fig 6 for details.
8. Locate the **Front Left & Right stationary glass panels** from the package. Attach the **Connectors (08)** to the guide rails of both glass panels at the bottom and the top with **ST4.2x10 screws (10)**. **Do not overtighten them or you can brake the Connectors.** See Fig 7 for details.
9. Put two **Wheel assemblies (25)** into the groove of the upper guide rail; then place the **Glass door (07)** to the position as shown on Fig 8. Secure it using **Bolt M5x8 (24)**. See Fig 8 for details. Repeat the same for the bottom guide rail.
10. Put the assembly onto the tray and attach it to the **Rear Left & Right stationary glass panels** with **ST4.2x16 screws (12)**. See Fig 9 & 10 for details.
11. Apply the silicon sealant on the top aluminum profiles of the **Fixing bracket (19)**, **Rear Left & Right stationary glass** and the **Front Left & Right stationary glass panels**. Place the **Roof (4)** onto the shower enclosure assembly and attach it to the **Rear Right and Left stationary glass panels** and the **top Fixing bracket** with **ST4.2x25 screws (13)**. See Fig 11 for details.
12. Secure the **Glass shelf (17)** and the **Guardrail (18)**. See Fig 12 for details.
13. Attach the **Bracket for steam generator (20)** onto the tray with **Flat head screw ST4.2x25 (13)**. Then place the **Steam generator (22)** onto the bracket and secure it with **Bolt M8x12 (23)**. See Fig 13 for details.

14. Connect the shower head connector and its hose. Pull the top light wire from the roof to the steam generator compartment and connect it.
15. Move the shower cabin assembly to the required position. Fig 14.
16. Measure the distance from straight part of the elbow or bushing to the top of the drain less 1/2". See Fig 15 (Image 1 and 2). Cut the piece off the 2" PVC pipe according to the measurements. See Fig 15 (Image 3). Clean the PVC pipe and elbow according to the PVC glue manufactory instructions. Apply the PVC glue to the elbow and PVC pipe and push the pipe down into the elbow. Hold it for 45 sec to 1 min to glue them together. Fig 15 (Image 4-6).
17. After the glue had settled finish the assembling of the drain according to the drain manufactory instructions. Fig 15 (Image 7-8).
18. Bring the **Control panel (01)** inside the cabin.
19. Connect hot water supply line to the red mark water inlet and cold water supply line to the blue mark water inlet. Connect the steam generator supply line and head shower water tubing to the valve. Make sure all water connections are water tight Fig 16.
20. Connect the steam generator circuit, according to the wiring diagram – Fig 17. Connect power cable to the power supply box. Wires marked L1 and L2 are HOT wires, N – neutral. Connect yellow wire from the steam generator to the ground.
21. **Check all the components for any leakage or problems; open each valve to see how it works, check thermostatic or mixer valve for hot and cold water. You may need to tighten some connections (during storage and transportation connections may get loose).**
22. Turn on power and run the steam generator. Run it for 5 minutes then turn steam button off. Turn the light on to test it. Then turn off the power button on the control panel and wait until auto drain is turned on (apprx. 5-20 min.) You will see as hot water will run from the drain head at the bottom of the control panel. **Do not stay inside of the cabin. The water is very hot and you can get burnt.**

You can continue only after the hot water from auto drain stop running and the floor inside the cabin will cool down.

If your connections are water tight and steam generator functions correctly you can continue to the next step.

23. Apply silicon along the bottom **Fixing bracket (19)** See Fig 18 (Image 1). Attach the **Control panel (01)** to the **Rear Left and Right stationary glass** panels with **Flat head screws ST4.2x10 (10)**. Cover exposed screw heads with **Decorative covers (14)**. See Fig 18 (Image 2-3) for details.
24. Use the Phillips screwdriver **#2 (do not use power screwdriver)** to adjust the top and bottom wheels, and make sure the doors move smoothly and close tight.
25. Connect the **Shower hose (27)** to the water outlet on the control panel and then connect the **Hand shower (26)** to the shower hose. See Fig 19 for details.
26. Seal with silicone all the connections between the vertical profiles and the control panel, all walls and the tray. **Let the silicone dry for at least 24 hours before using the cabin.** See fig. 20 for details.
27. See the outside handle position in Fig 21 (Image1) and inside handle position in Fig 21 (Image 2).

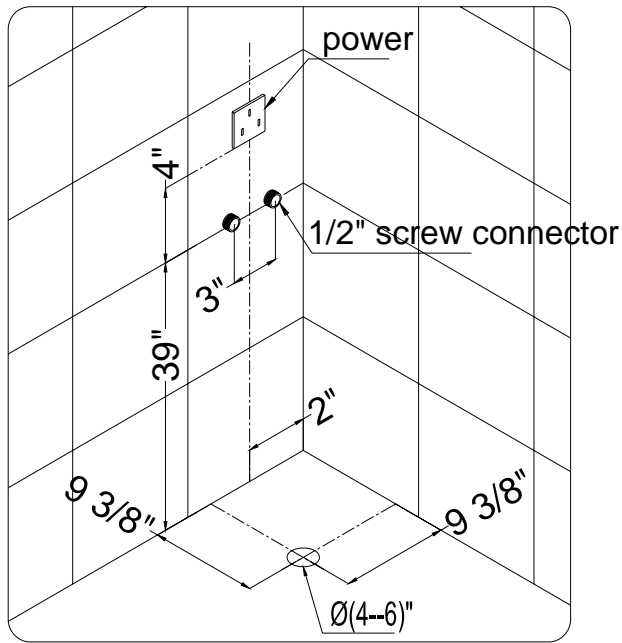


Fig. 1

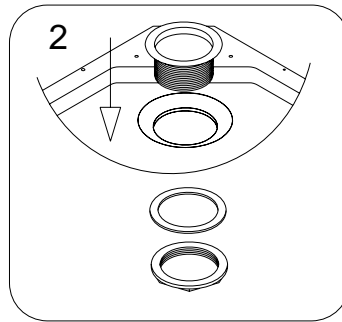
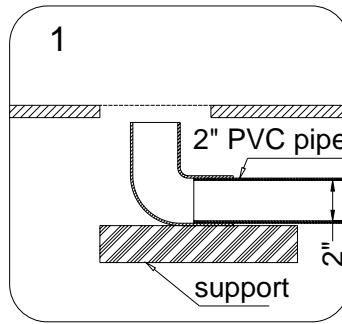


Fig. 2

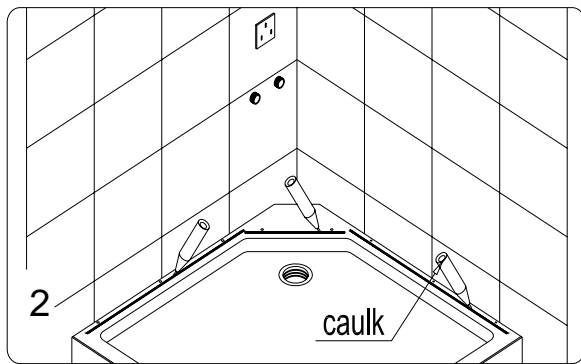
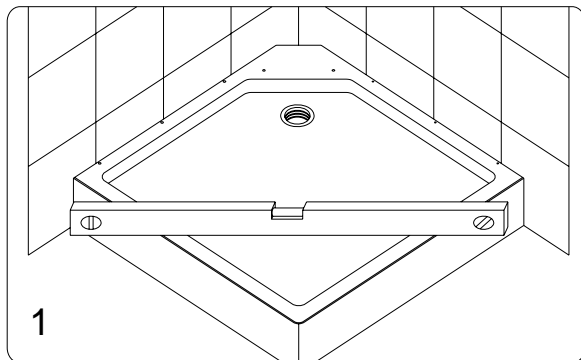


Fig. 3

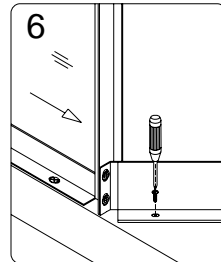
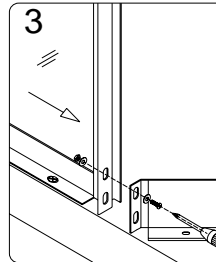
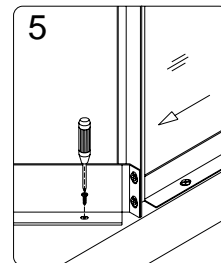
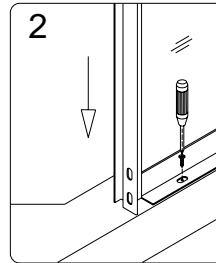
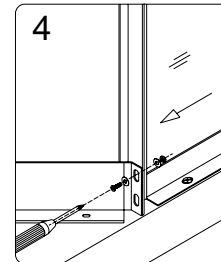
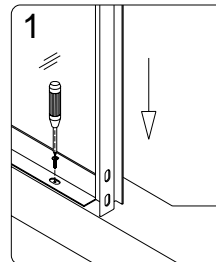


Fig. 4

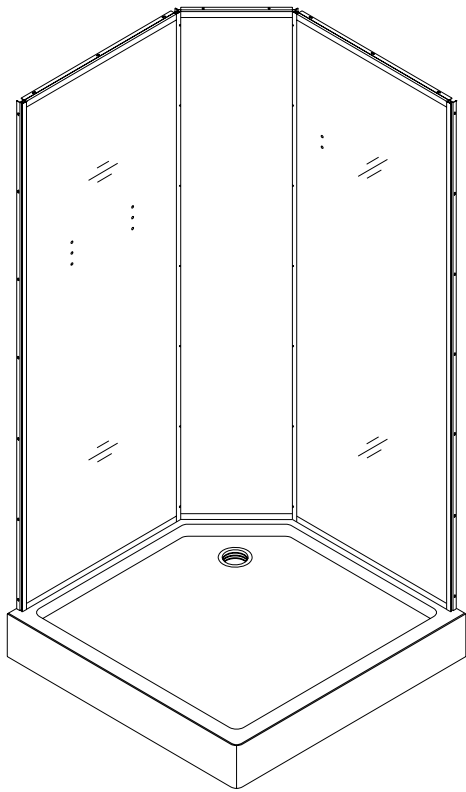


Fig. 5

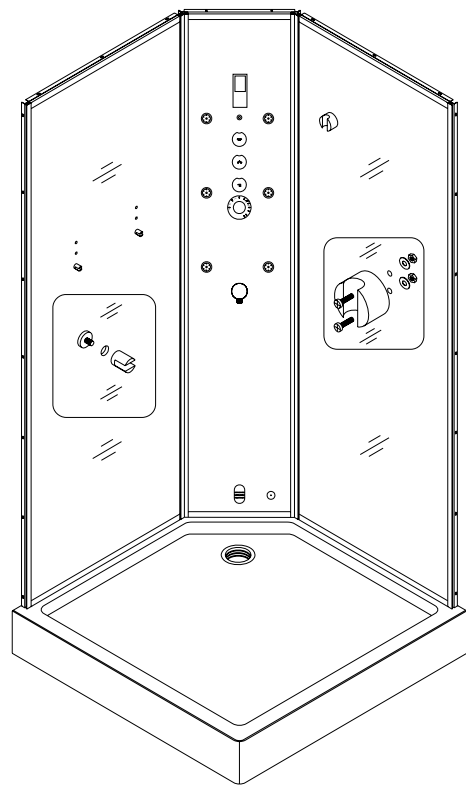


Fig. 6

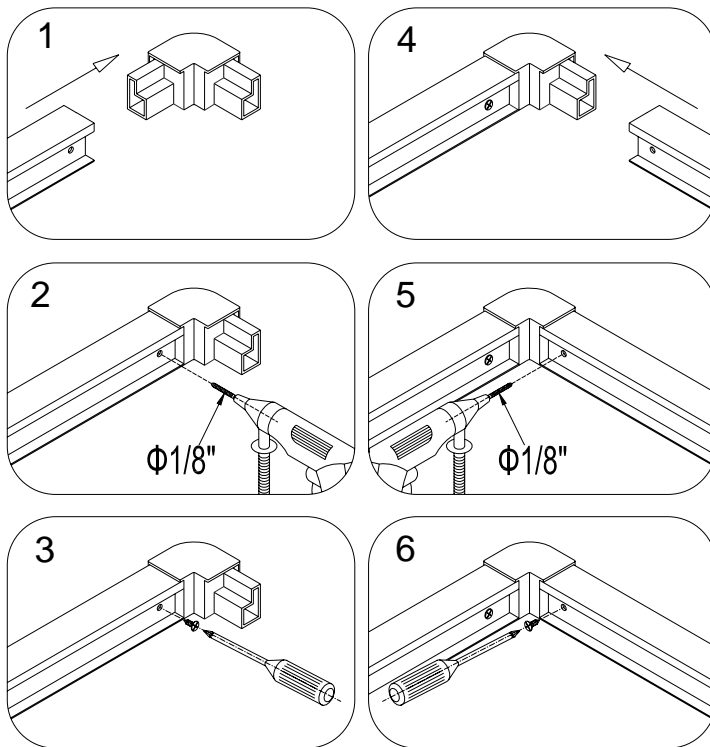


Fig. 7

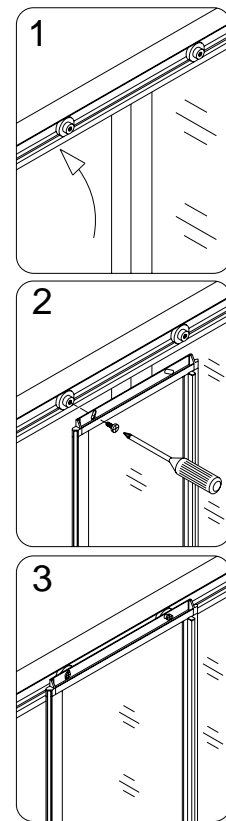


Fig. 8

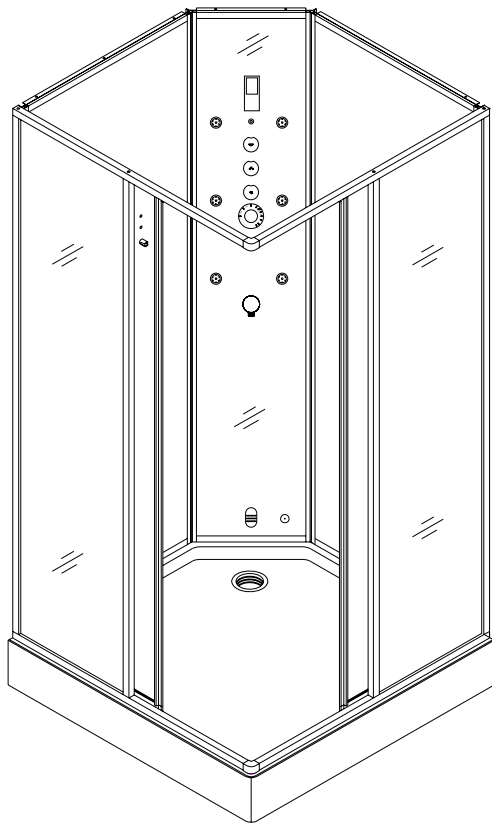


Fig. 9

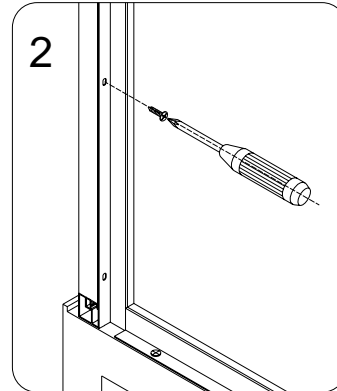
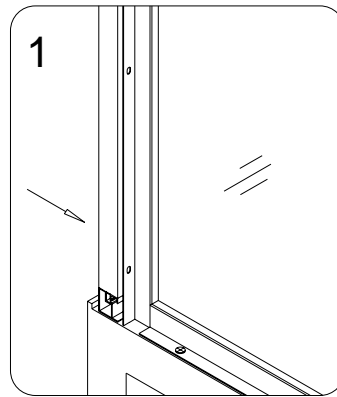


Fig. 10

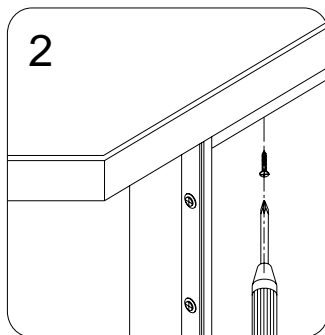
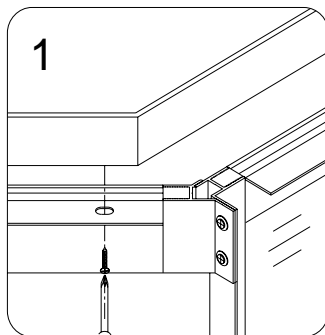


Fig. 11

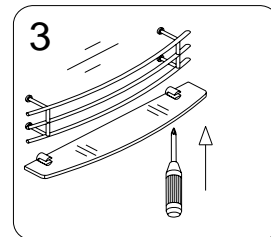
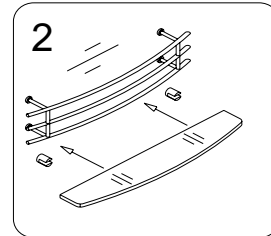
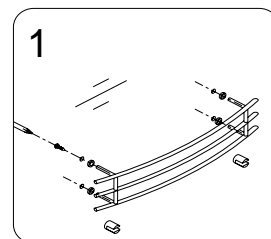


Fig. 12

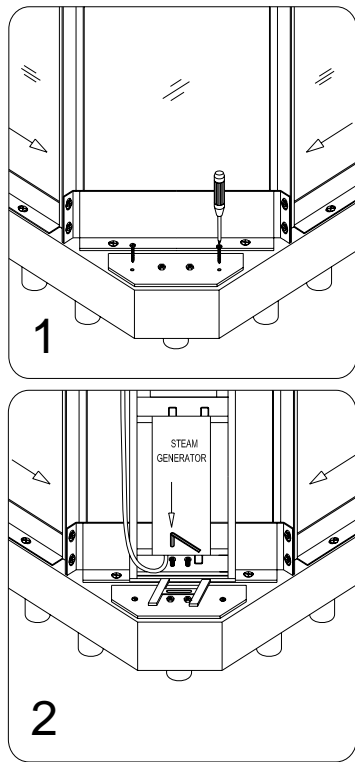


Fig. 13

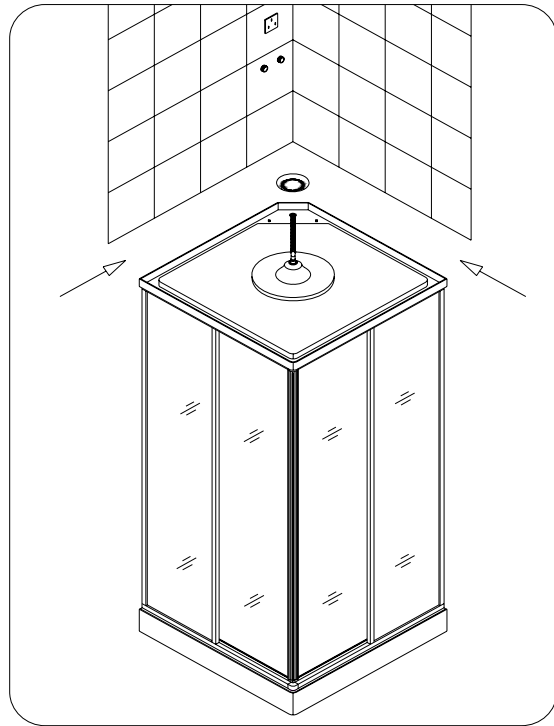


Fig. 14

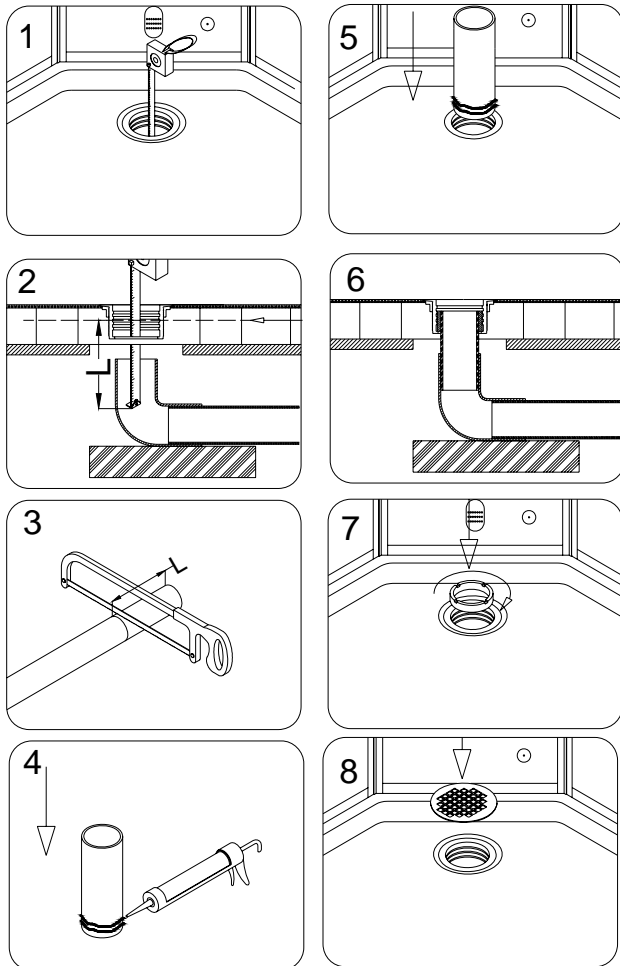


Fig. 15

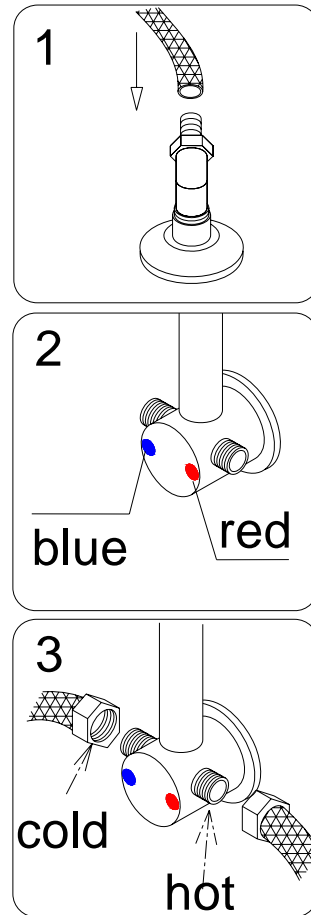


Fig. 16

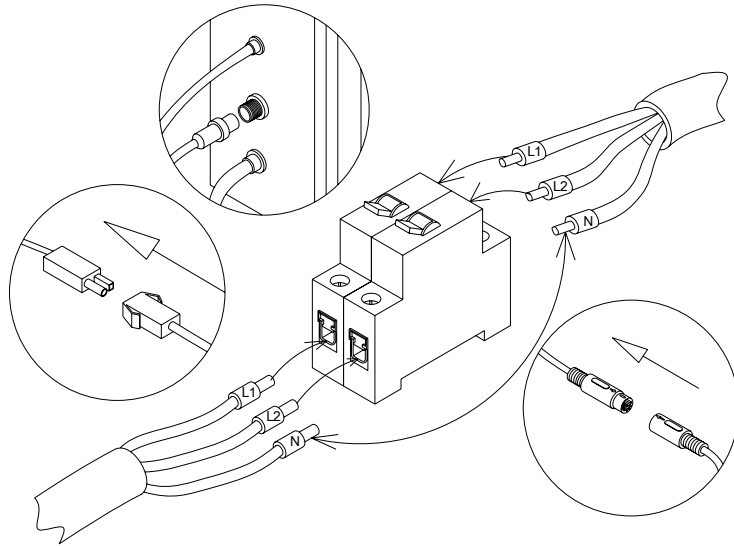


Fig. 17

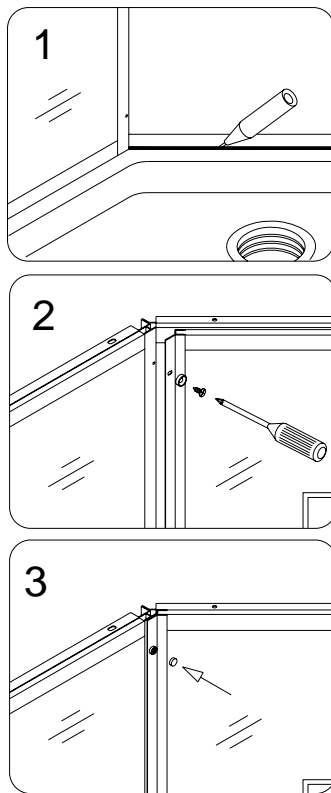


Fig. 18

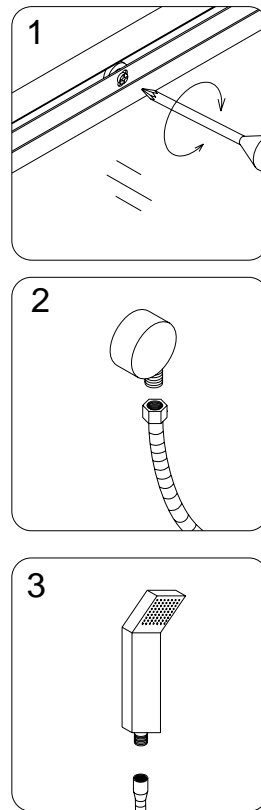


Fig. 19

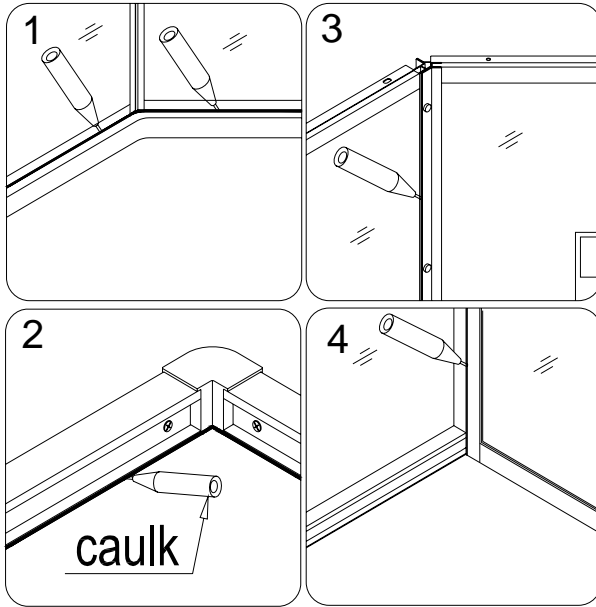


Fig. 20

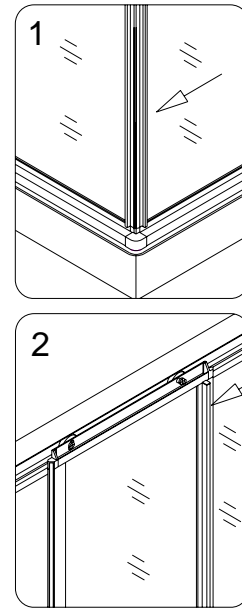
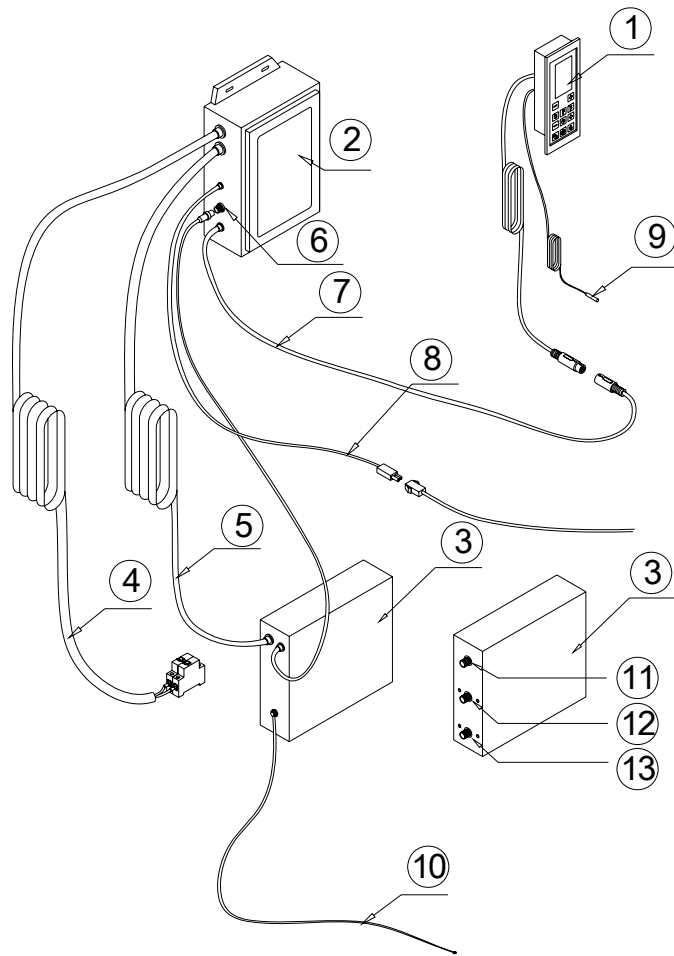


Fig. 21

Please note that for maintenance of steam generator or checks on water supplies, you can reverse Step 23 to take off the control panel to gain access.

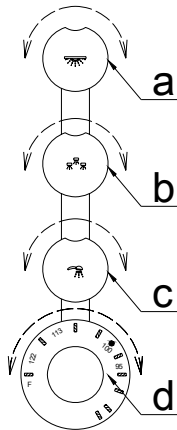


Steam system power cable connection diagram

01	Control panel
02	Electronic Control Box
03	Steam generator
04	Power wire
05	Steam wire
06	Steam control wire
07	Control panel cable
08	Top light power cable
09	Temperature probe
10	Ground cable
11	Steam outlet
12	Steamer water inlet
13	Steamer remain water outlet

Thermostatic Valve Using Controls

- Valve “a” turns on water of the “tropical rain” head shower.
- Valve “b” turns on water of eight massage jets.
- Valve “c” turns on water of the hand shower. Turn the revolve cover of the shower head will change water pattern.
- Thermostatic valve “d” adjusts water temperature on any valves you are using.



Steam generator control



Function Illustration of the Control Board

Performance

- The control uses a blue color back light liquid crystal display with white back light induction type touching key.
- Turning the steam on will fill the generator with water automatically, when system is shut-down an automatic water draining system turn on.
- Includes steam and light and fan control functions.
- Steam temperature regulation range: Centigrade temperature 30~60C, Fahrenheit 86~140F; Steam time regulation range: 0~60 minutes.
- Automatic temperature controls also include tracking of excess temperature, over pressure and power leakage protection function.

Operation Instructions:

- ✧ Switch-on: Push the power switch, the present cabin temperature is shown on the display, the top light turns on, and the system stays in the state of readiness.
- ✧ Steam: Push the steam key directly to turn steam function on or off.
- ✧ Temperature-set: Push temperature setting key, ambient temperature is shown on the screen. Push the “temperature +” or “temperature –”key to get the wanted steam temperature. The temperature will gradually increase or decrease within 30 ~ 60°C. “Celsius” displays the Celsius temperature; “Fahrenheit” displays Fahrenheit temperature. If the ambient temperature in the cabin is higher than that set by the steam bath temperature, the steam generator can not be started.
- ✧ Time-set: Push the time setting key and the steam generator and control go into the time-set state; and push the “time +” or “time –”key to get desired time of the steam bath. The time range is 5~60 minutes.
- ✧ Lighting: Push the light key, and the light and the fan can be switched on or off.
- ✧ Switch-off: Push the power key and switch off all the functions.

If not using steam options/control for a long time – we suggest that you switch off the main electric power of the units

Warnings

- ◆ Do not connect this steam shower with other electric appliances not recommended by DreamLine™, and do not take apart the hermetically sealed lines or the electric lines from the power box.
- ◆ A drainage pipeline shall be fixed to auto-drain valve of the main steam generator, and it's better to add a water filter before the water entrance to increase generator's service life.
- ◆ The steam generator should be working with water hardness levels 60-120 mg/l. If hardness of your water more than recommended it can cause “scale” (mineral build up in pipes and plumbing fixtures). Scale can cause of your steam unit damage. You need to treat your water. Water softeners are the most frequently used of all water-conditioning devices and are installed for reducing hardness for private wells and utility supply with high levels of calcium or magnesium.
- ◆ The line from the power box shall be plugged according to the digit capacity and the size. Do not short circuit.
- ◆ The steam generator is complicated option and shall be installed by the qualified and authorized technical persons.

- ◆ **DreamLine™ shall not be responsible for negative consequences due to any incorrect installation or improper operations per instructions listed above.**

Product Maintenance

1. Tempered glass can be clean with nonabrasive bathroom cleaner or any glass cleaner you use elsewhere in your home. Rinse off any glass cleaner that gets on the aluminum as soon as possible to avoid damage to the anodized surface. Avoid striking it with any sharp or hard objects. Such damage can cause either immediate or delayed breakage of tempered glass.

2. The aluminum in your shower door is durable and resistant to water damage. It is advisable, but not necessary to wipe it with your towel after your shower. Clean it as often as needed to keep the buildup off. Never use any type of abrasive cleaner. Use only a soft damp cloth and nonabrasive bathroom cleaners.