

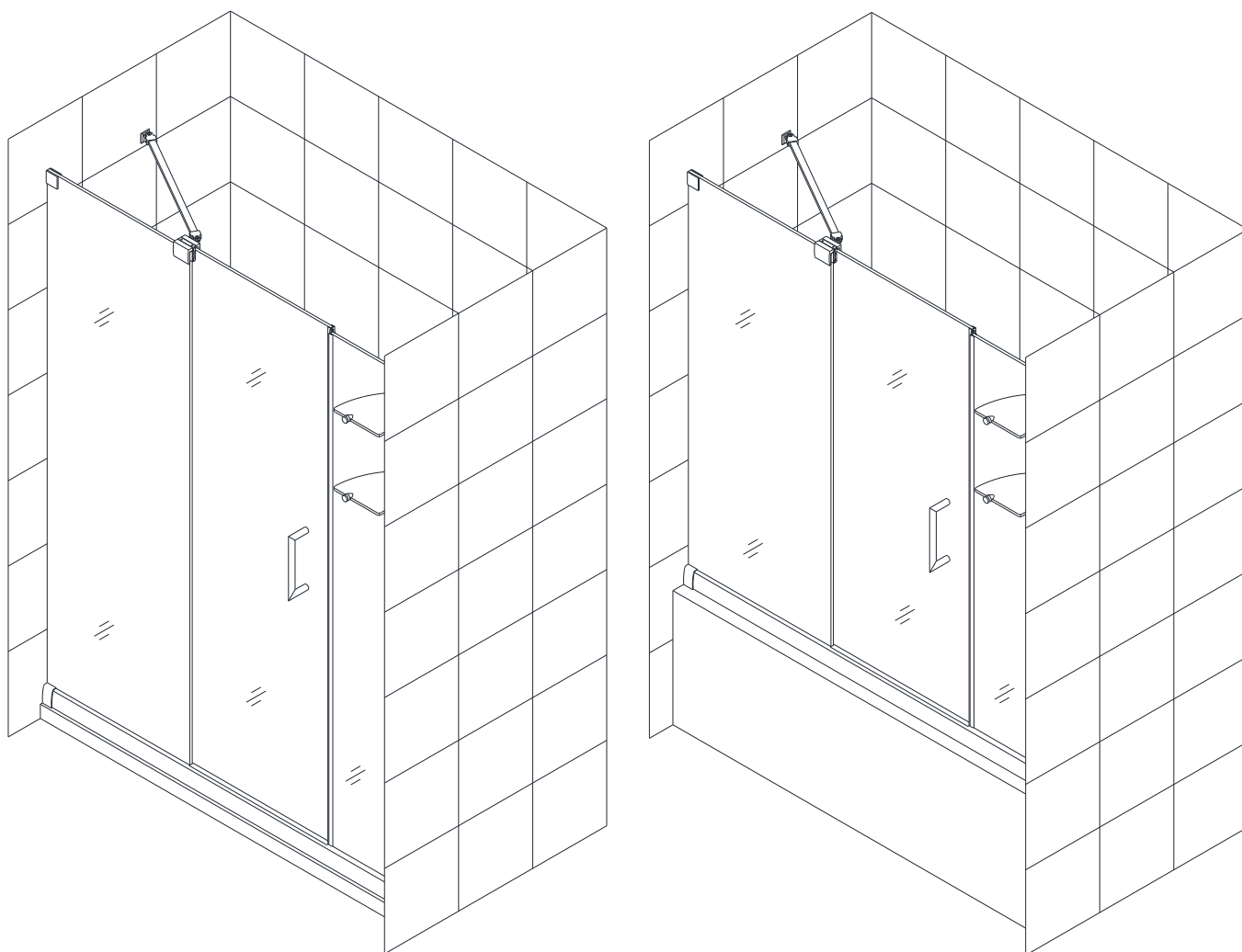


## MIRAGE

### SHOWER DOOR & TUB DOOR INSTALLATION INSTRUCTIONS

#### IMPORTANT

DreamLine™ reserves the rights to alter, modify or redesign products at any time without prior notice. For the latest up-to-date technical drawings, manuals or any other details please refer to the [support.BathAuthority.com](http://support.BathAuthority.com) web page.



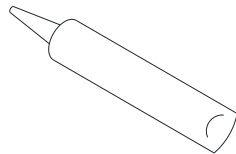
Please read these instructions carefully before installing. If you have any questions regarding installation, please call our technical support specialists Monday through Friday 9:00 AM – 5:00 PM EST at Phone: [1-866-731-2244](tel:1-866-731-2244), Fax: [1-866-227-1533](tel:1-866-227-1533) or e-mail our technical support group at [support@BathAuthority.com](mailto:support@BathAuthority.com).

For more information on [DreamLine Shower Doors](#) and [Tub Doors](#) please visit [www.BathAuthority.com](http://www.BathAuthority.com)

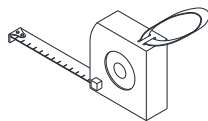
## Preparation

1. After opening all boxes and packages, read this introduction carefully. Check that all of the needed parts are included in the package by marking all the components on the "Detailed Diagram of Shower Door Components". Examine boxes and packages for shipping damage. If the unit has been damaged, has a finishing defect, or is missing parts, please contact our customer support department within 5 business days of the delivery date. Please note that **DreamLine™ will not replace any damaged products or missing parts free of charge after 5 business days or if the product has been installed.** Feel free to contact DreamLine™ if you have any questions.
2. **Please note that you should consult your local building codes with questions on installation compliance standards. Building and plumbing codes may vary by location, and DreamLine is not responsible for code compliance standards for your project and will not accept any returns.**
3. If this unit is going to be installed in a new construction, install all of the required plumbing and drainage before installing the shower. **Use a competent and licensed (if required by local code) plumber for all plumbing installation.**
4. Prior to installation, ensure that the installation surface is leveled and solid and will be able to support the total weight of the unit. Also, make sure the walls are at right angles. Irregular installation surface level or improper angle of side walls will result in serious problems for your installation. Please, note that some adjustments and drilling might be necessary during the installation process.
5. This unit must be installed against finished walls and floor.
6. **Please, NOTE! This door does not have out-of-plumb adjustment. Make sure your walls are vertical and your shower base or threshold is leveled.**

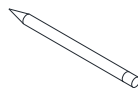
## Tools Required



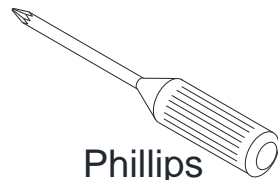
Caulk



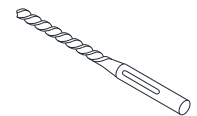
Tape Measure



Pencil



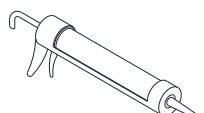
Phillips Screwdriver



Drill bit  
(Ø 5/16")



Level



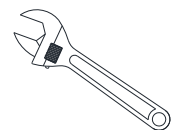
Caulk Gun



Electric Drill

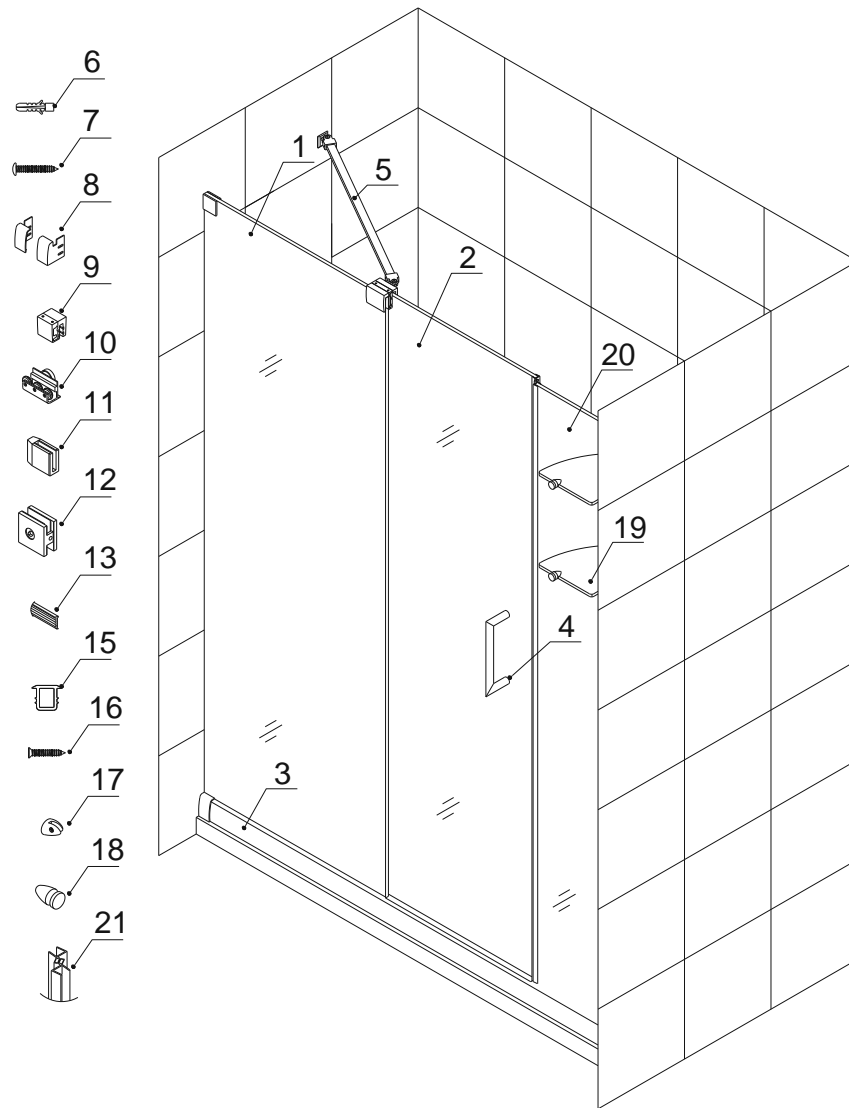


Hammer



Wrench

## Detailed Diagram of Shower/Tub Door Components



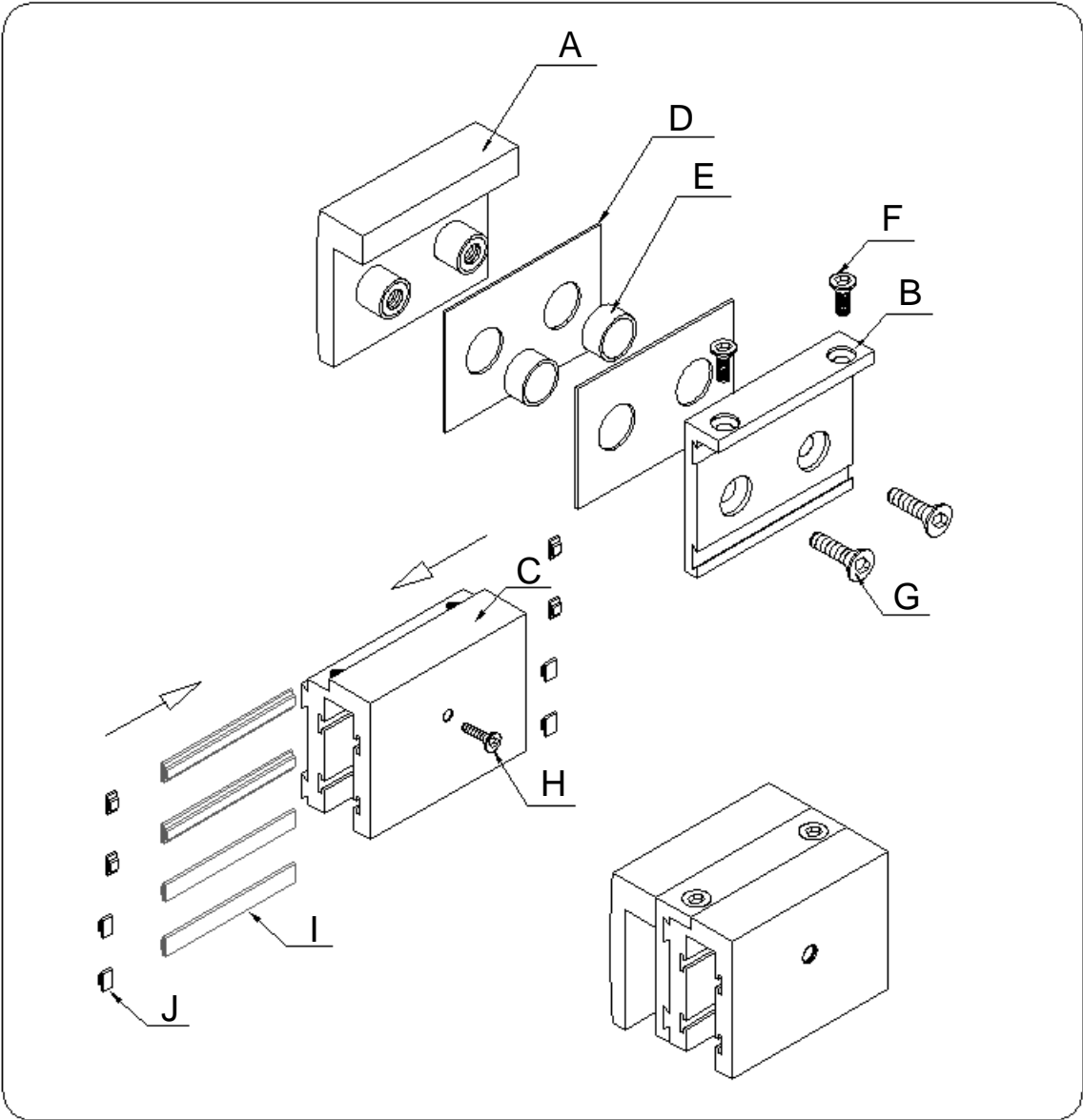
### Parts List

<b>01</b>	Stationary glass A	1pc	<b>11</b>	Stopper block	1pc
<b>02</b>	Glass door	1pc	<b>12</b>	Wall bracket	2pcs
<b>03</b>	Guide rail	1pc	<b>13</b>	Single side strip	1pc
<b>04</b>	Handle	1pc	<b>15</b>	Seal gasket	1pc
<b>05</b>	Support bar	1pc	<b>16</b>	Countersunk screw ST4.2×40	1pc
<b>06</b>	Wall anchor	6pcs	<b>17</b>	Shelf bracket (without nut)	4pcs
<b>07</b>	Round head screw ST4.2×55	6pcs	<b>18</b>	Shelf bracket (with nut)	2pcs
<b>08</b>	Guide rail connector	1pair	<b>19</b>	Glass shelf	2pcs
<b>09</b>	Sliding bracket assembly	1pc	<b>20</b>	Stationary glass B	1pc
<b>10</b>	Roller assembly	2pcs	<b>21</b>	Magnetic strip	1pair

**NOTE:** Unpack your unit carefully and inspect it. Lay it out and identify all parts using parts diagram and part list in your manual as a reference. Before discarding the carton, check for small hardware bags that tend to fall to the bottom of the box. If any parts are damaged or missing, please contact DreamLine™ for replacement.

**NOTE:** Retain these installation instructions for future reference.

# Sliding Bracket Assembly



<b>A</b>	Face Plate	1pc	<b>F</b>	Head screw M4×10	2pcs
<b>B</b>	Back Plate	1pc	<b>G</b>	Head screw M6×16	2pcs
<b>C</b>	Slider	1pc	<b>H</b>	Head screw M6×8	1pc
<b>D</b>	1/16" PVC gasket	2pcs	<b>I</b>	1/8" wool strip	4pcs
<b>E</b>	1/16" PVC washer	2pcs	<b>J</b>	Plastic bulkhead	8pcs

## Shower/Tub Door Installation

**NOTE:** The installation of this door requires two installers.

**NOTE:** The door can be installed on the shower base, tub or custom threshold.

1. Measure the distance between two walls. This distance is marked as "**W**".

See Fig. 1 for details.

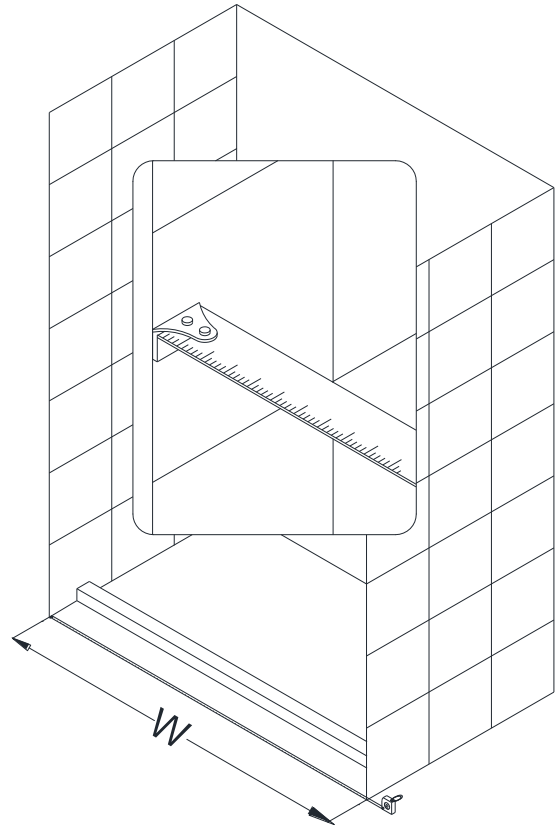


Fig. 1

2. Your **Guide rail (03)** has been precut for your Shower model opening width: **60"**.

If **W**-width of your wall-to-wall opening is equal to **60"** it is unnecessary to cut the **Guide rail** and you can continue to Step#3.

If **W**-width of your wall-to-wall opening is less than **60"** you will need to cut the **Guide rail** from one side.

The length to cut off will be **D**:

**D**=Subtract **W** from **60"**

### **FOR EXAMPLE**

If your wall opening **W=59"**. Your shower model is **60"**.

**D=60"-59"=1"**,

You have to cut **1"** off from the rail.

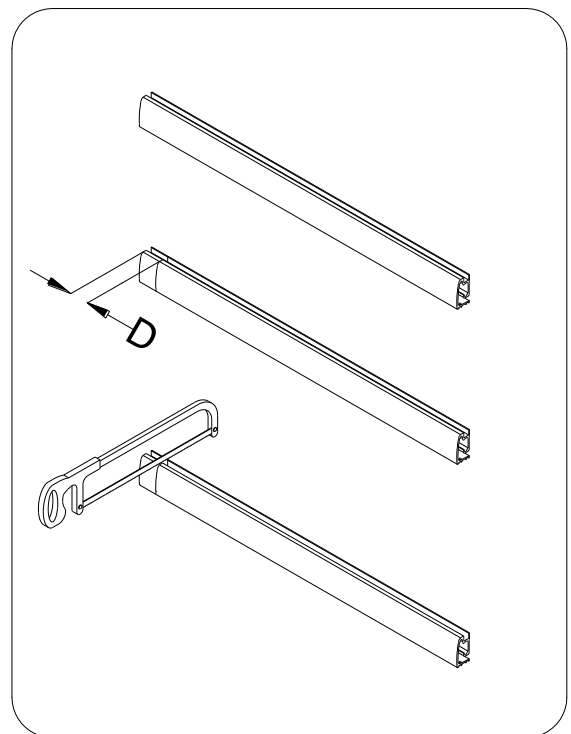


Fig. 2

See Fig. 2 for details.

3. Fasten the **Guide rail connector (08)** to one of the sides of the **Guide rail (03)**.

Slide in two **Roller assemblies (10)** from the other end of the **Guide rail**. Fasten another **Guide rail connector** to the other side of the **Guide rail**.

Position the **Guide rail** on base or threshold and trace through predrilled holes of **Guide rail connector** flange to mark wall. Drill the holes using  $\text{Ø } 5/16''$  drill bit and insert the **Wall anchor (06)**.

Apply a layer of waterproof silicone to the bottom side of the **Guide rail**. Place the **Guide rail** back on base or threshold and secure it with the **Round head screw ST4.2×55 (07)**.

See Fig. 3 for details.

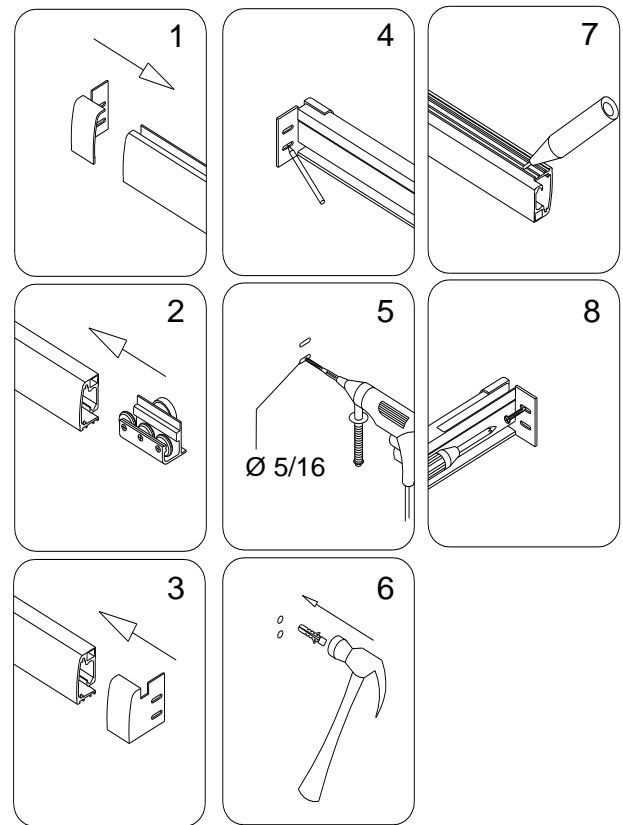


Fig. 3

4. View of the installed **Guide rail (03)** with the **Guide rail connectors (08)**.

See Fig. 4 for details.

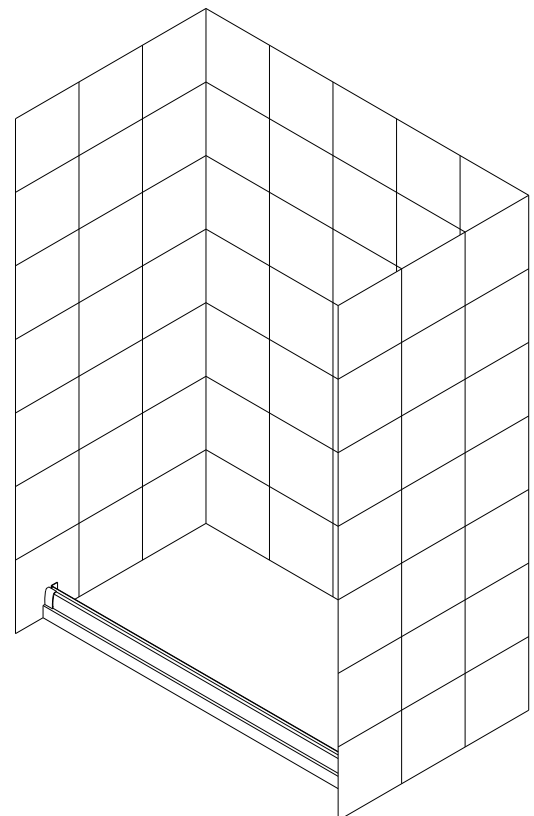


Fig. 4

5. Mount the **Wall bracket (12)** to **Stationary glass A (01)**.  
Slide the glass into the channel of the **Guide rail (03)**.

See Fig. 5 for details.

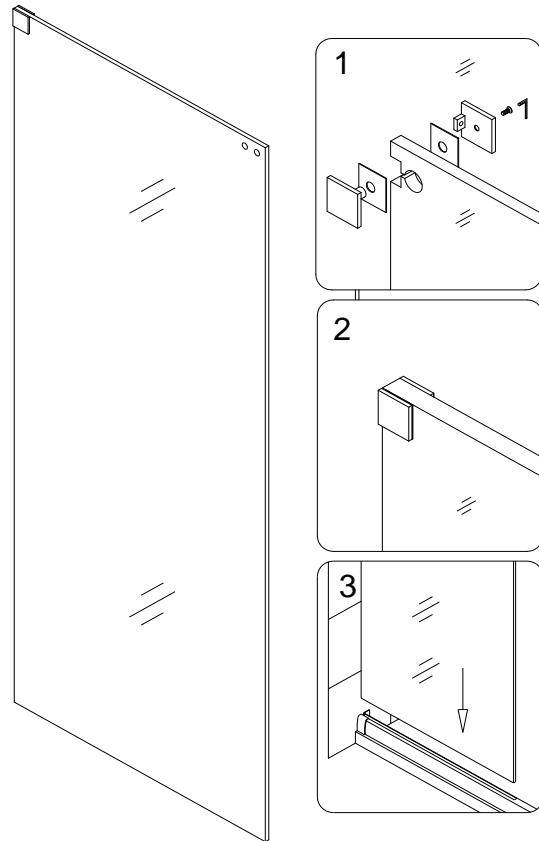


Fig. 5

6. Butt up **Stationary glass A (01)** against the wall and level it vertically.

See Fig. 6 for details.

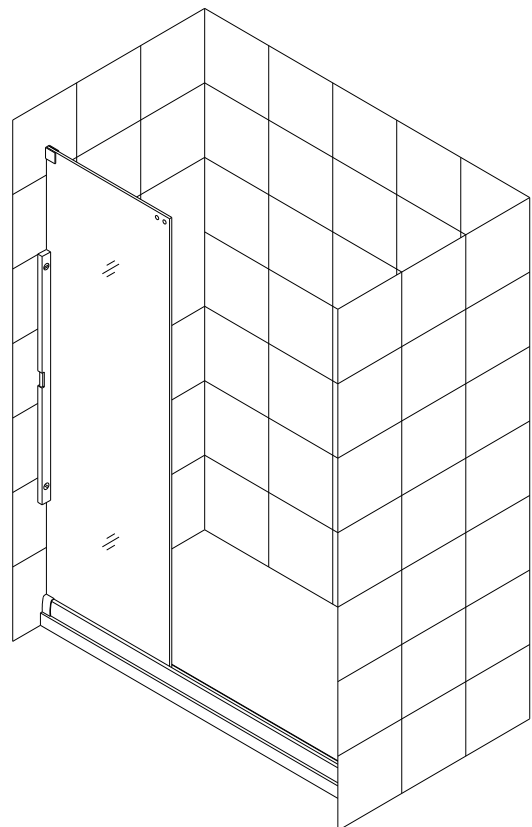


Fig. 6

7. Outline the position of the **Wall bracket (12)** on the wall. Set **Stationary glass A (01)** aside. Remove the **Wall bracket** from **Stationary glass A** and by replacing it to the outlined position mark the hole on the wall.

Drill the hole using  $\varnothing 5/16''$  drill bit, insert the **Wall anchor (06)** and fasten the **Wall bracket** to the wall with the **Round head screw ST4.2x55 (07)**.

Put **Stationary glass A** back into position and tight it up to the **Wall Bracket**.

See Fig. 7 for details.

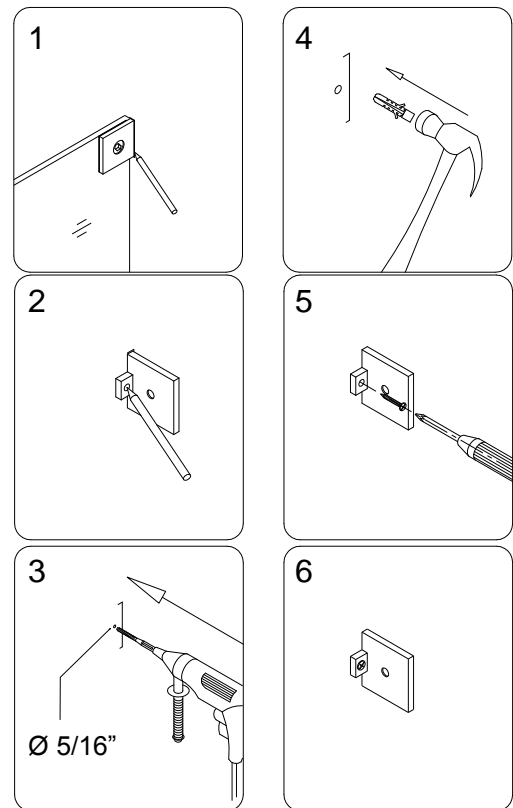


Fig. 7

8. Mount the **Wall Bracket (12)** on **Stationary glass B (20)**.

Slide the glass into the channel on the other side of the **Guide rail (03)**.

See Fig. 8 for details.

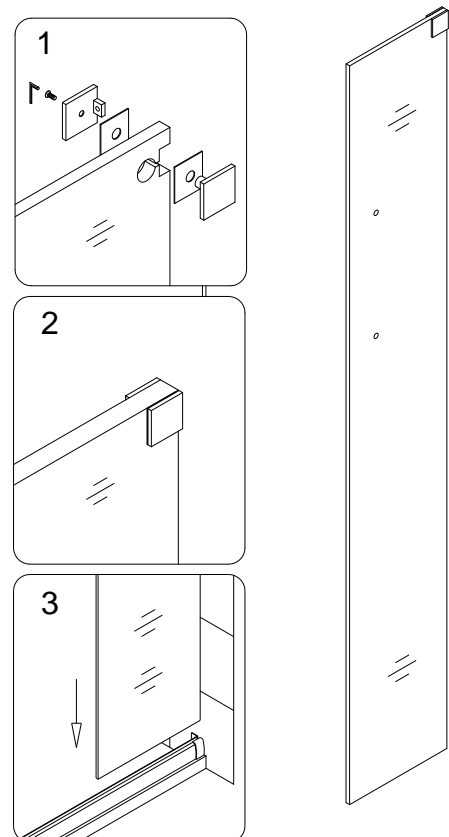


Fig. 8



9. Butt up **Stationary glass B (20)** against the wall and level it vertically.

See fig. 9 for details.

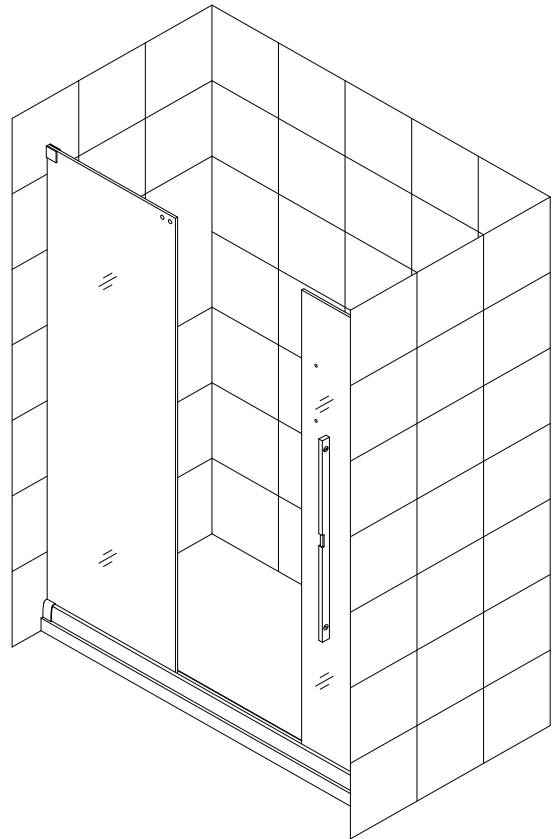


Fig. 9

10. Outline the position of the **Wall bracket (12)** on the wall. Set **Stationary glass B (20)** aside. Remove the **Wall bracket** from **Stationary glass B** and by replacing it to the outlined position mark the hole on the wall.

Drill the hole using  $\text{Ø } 5/16''$  drill bit, insert the **Wall anchor (06)** and fasten the **Wall bracket** to the wall with the **Round head screw ST4.2×55 (07)**.

Put **Stationary glass B** back into position and tight it up to the **Wall Bracket**.

See Fig. 10 for details.

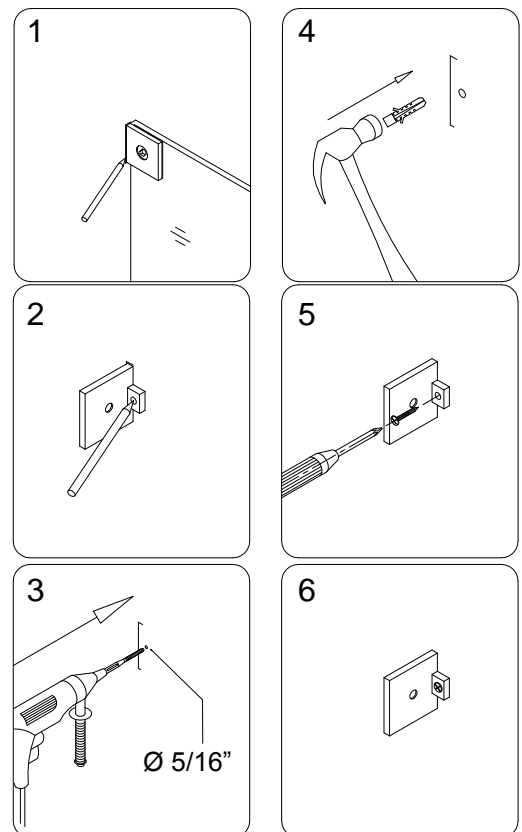


Fig. 10

11. Push the **Single side strip (13)** between the groove of the **Guide rail (03)** and both **Stationary glasses A & B** using wooden shims or other piece of wood.

See fig. 11 for details.

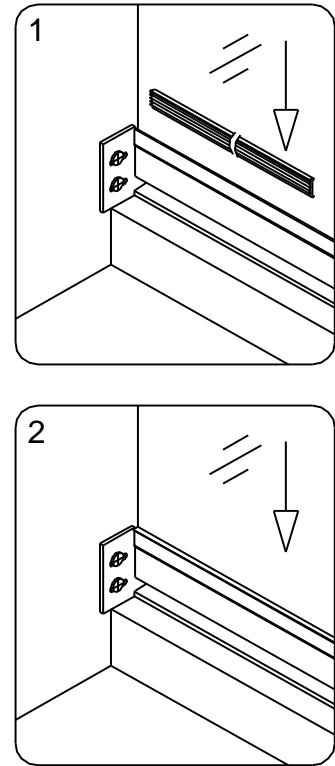


Fig. 11

12. **Glass shelves (19)** are installed to **Stationary glass B (20)**.

Mark the **Glass shelf** position on the wall. According to the measurements in [Fig. 12.1](#), mark drill holes for the shelf brackets.

Drill the holes using  $\text{Ø } 5/16''$  drill bit and insert the **Wall anchors (06)**.

Attach the **Shelf brackets without nut (17)** to the wall with **Countersunk screw ST4.2×40 (16)** and attach **Shelf brackets with nut (18)** to **Stationary glass B**.

Insert the **Glass shelf** into the **Shelf brackets** and tighten the screws at the bottom of the brackets.

Start installation with top **Glass shelf** and repeat this step to install the bottom **Glass shelf**.

See Fig. 12 and Fig. 13 for details.

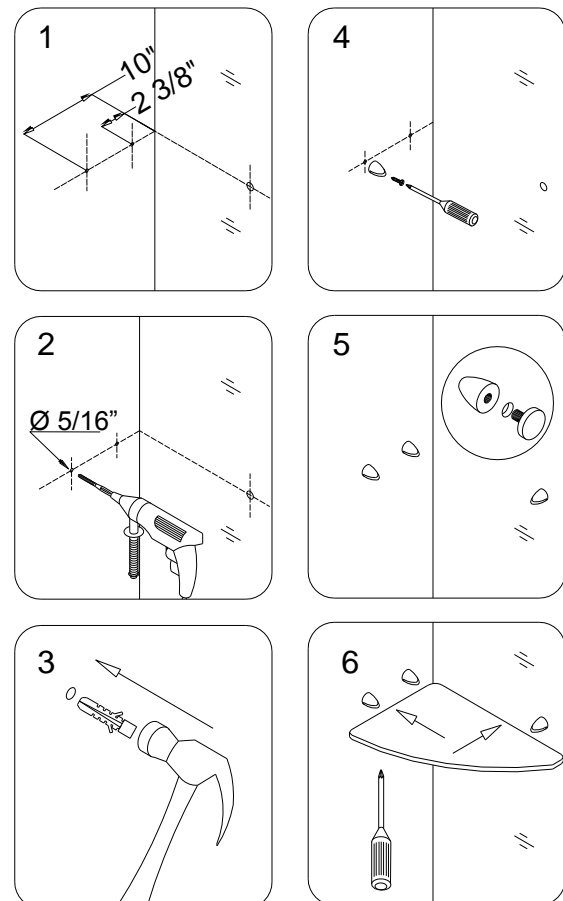


Fig. 12

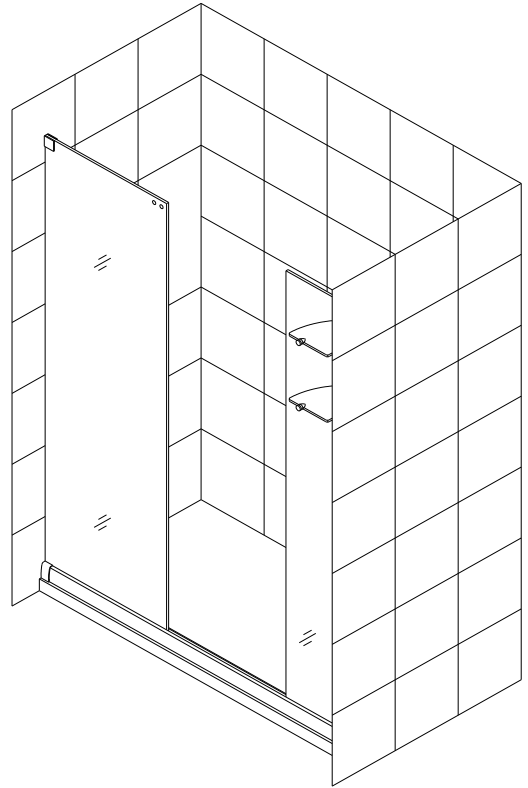


Fig. 13

NOTE: Please refer to **Sliding bracket assembly (09)** diagram on Page 4.

13. Disassemble the **Sliding bracket assembly**.

Mount the **Face Plate (A)** and **Back Plate (B)** on the top of **Stationary glass A (01)** with the **Head screw M6×16 (G)**. Use **PVC gasket (D)** and **PVC washer (E)** in between glass and metal parts.

NOTE: Use only hand tools. Do not over tighten the screws.

See Fig. 14 and Fig. 15 for details.

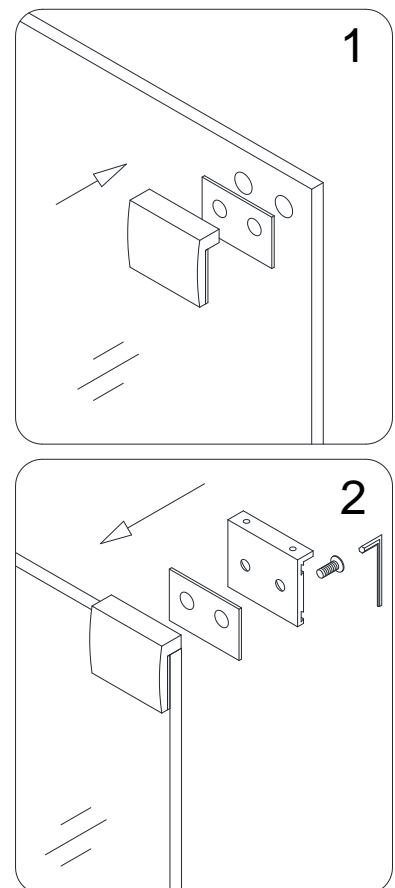


Fig. 14

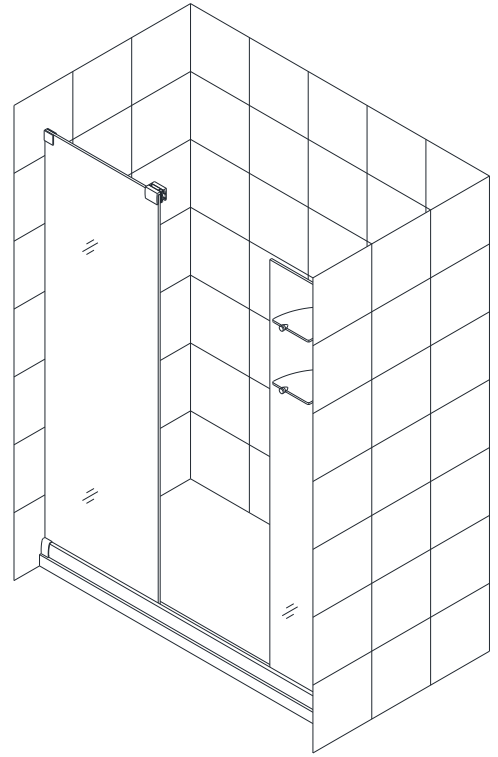


Fig. 15

14. Install the **Stopper block (11)** on the bottom of the **Glass door (02)**.

See fig. 16 for details.

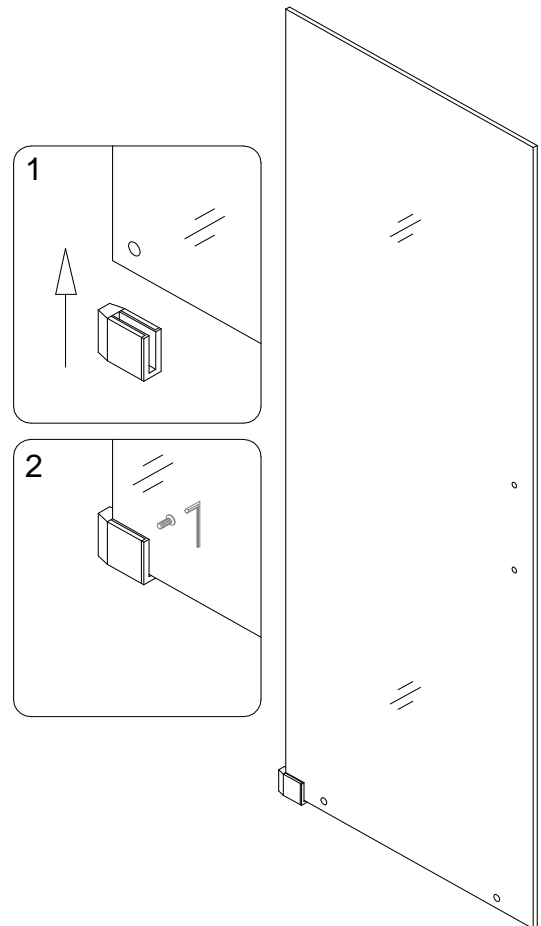


Fig. 16

15. Bring the **Glass door (02)** inside the shower. Remove nuts from the **Roller assembly (10)** bolts and spread the rollers against the installation holes on the **Glass door**. Fasten the **Roller assembly** to the **Glass door** through the predrilled holes.

**NOTE:** Steps 15 and Steps 16 require second person to hold **Glass door**. The **Glass door** will not stay by itself until you finish the Step 16.

See Fig. 17 for details

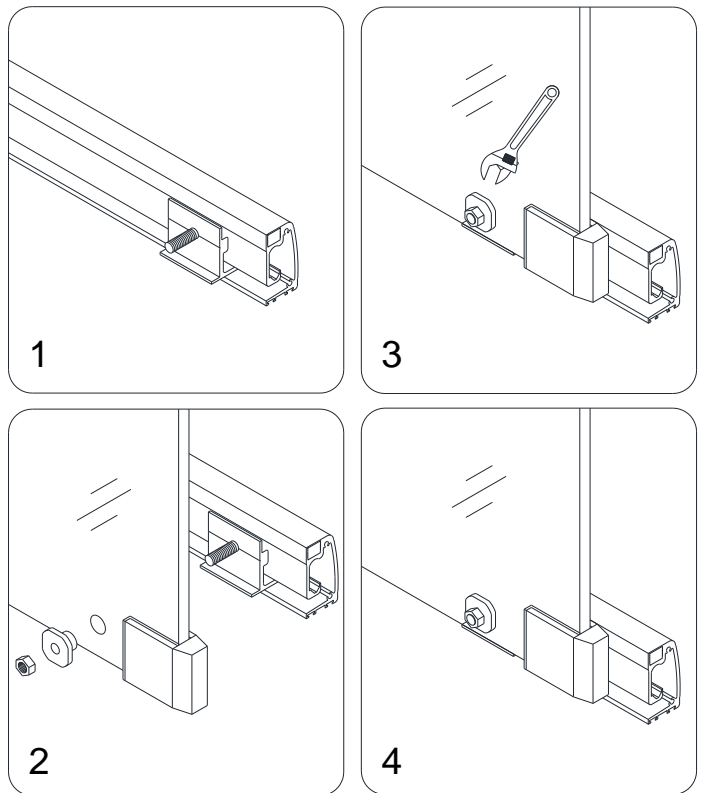


Fig. 17

**NOTE:** Please refer to **Sliding bracket assembly (09)** diagram on Page 4.

16. Place the **Slider (C)** over the top edge of the **Glass door (02)** and put the **Sliding bracket assembly** together using **Head screw M4 × 10 (F)**.

**NOTE:** **Sliding bracket assembly (09)** can be installed for either left or right hand configurations. These directions are written for right-hand configuration; See Page 17 for left hand configuration.

See Fig. 18 and Fig. 19 for details.

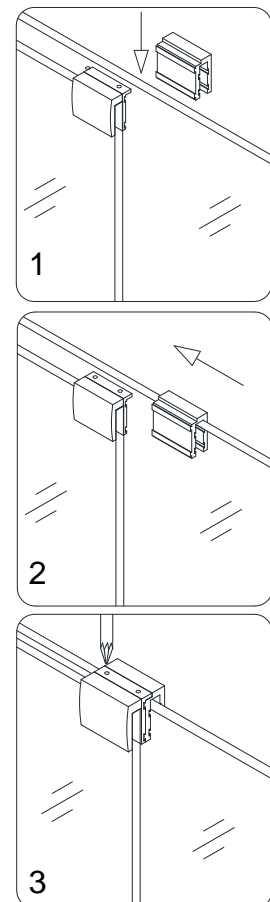


Fig. 18

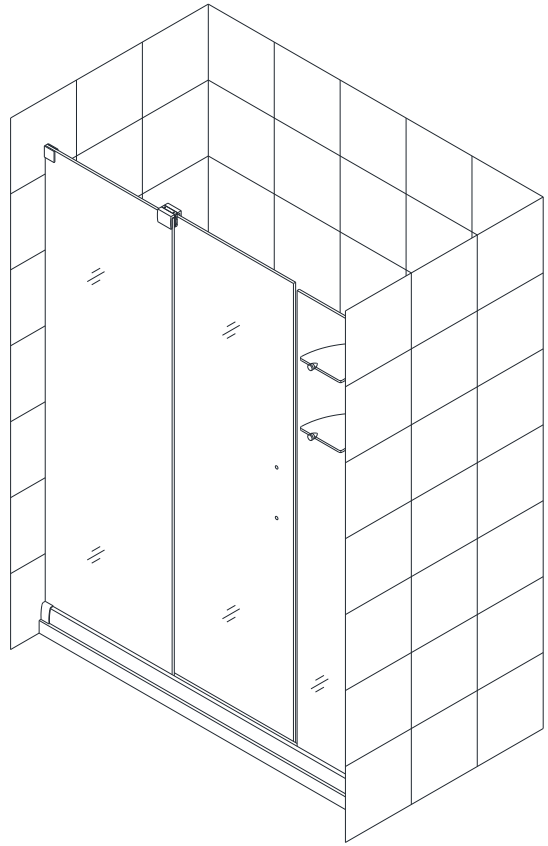


Fig. 19

17. Press the **Magnetic strip (21)** on the vertical edge of the **Glass door (02)** and **Stationary glass B (20)**. Push the **Seal gasket (15)** into the channel of the **Guide rail (03)**.

See Fig. 20 for details.

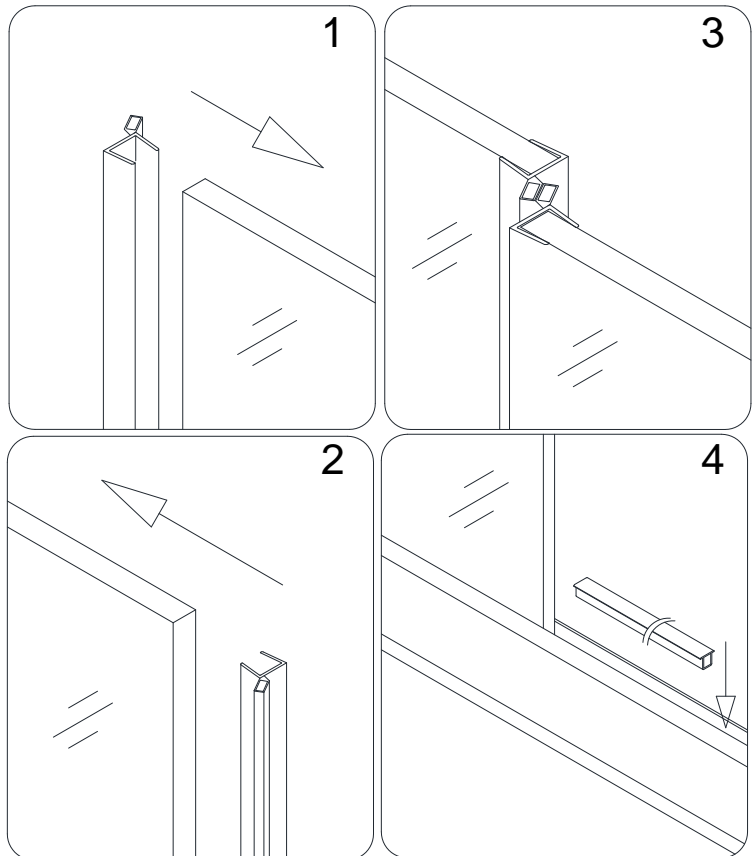


Fig. 20

18. Install the **Handle (04)** onto the **Glass door (02)**.

See fig. 21 for details.

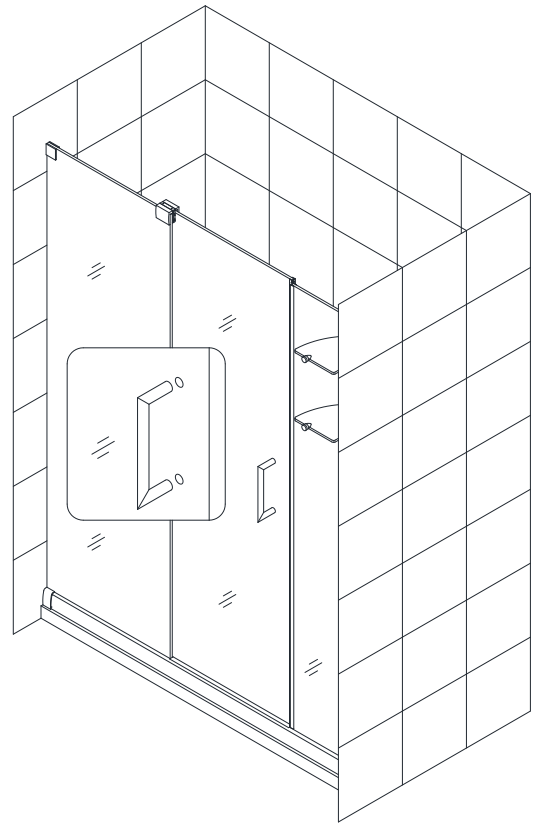


Fig. 21

19. Locate the **Support bar (05)** and temporarily fasten it to the **Sliding bracket assembly (09)** with the **Head screw M6×8 (H)**.

Adjust the bar to a proper position and level it horizontally. Hold it firmly and outline the wall bracket of the **Support bar** to mark wall with position.

Remove the **Support bar** and detach its wall bracket. Place the wall bracket of the **Support bar** against its outlined position on the wall and mark the hole for drilling.

Drill the hole using  $\text{Ø } 5/16''$  drill bit, insert the **Wall anchor (06)** and fasten the **Support bar's** wall bracket to the wall with the **Countersunk screw ST4.2×40 (16)**.

Attach the **Support bar** back to its wall bracket and **Sliding Bracket assembly** and tighten the screws to secure the glass.

See Fig. 22 for details.

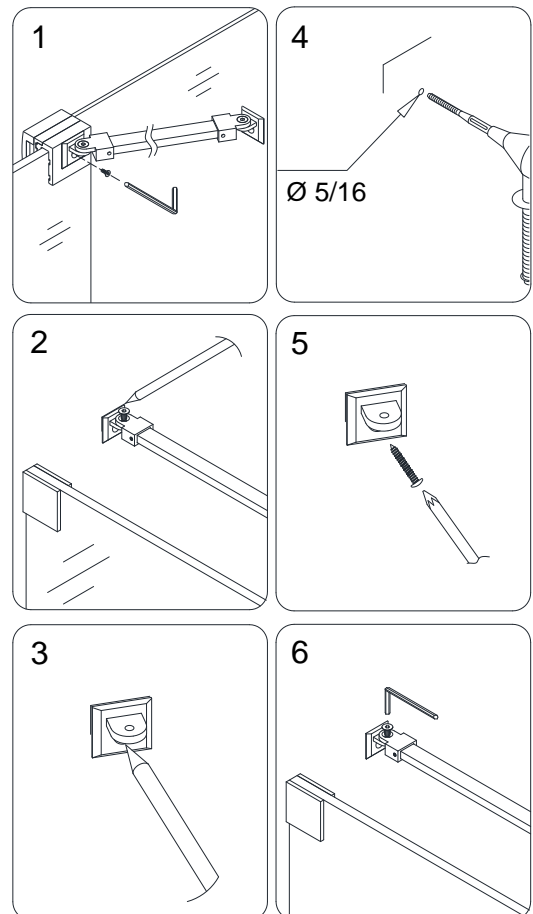


Fig. 22

20. Apply the sealant along the connection of **Stationary glasses A and B** with the wall inside the shower, as well as between the **Guide rail (03)** and the threshold outside the shower.

See Fig. 23 and Fig. 24 for details.

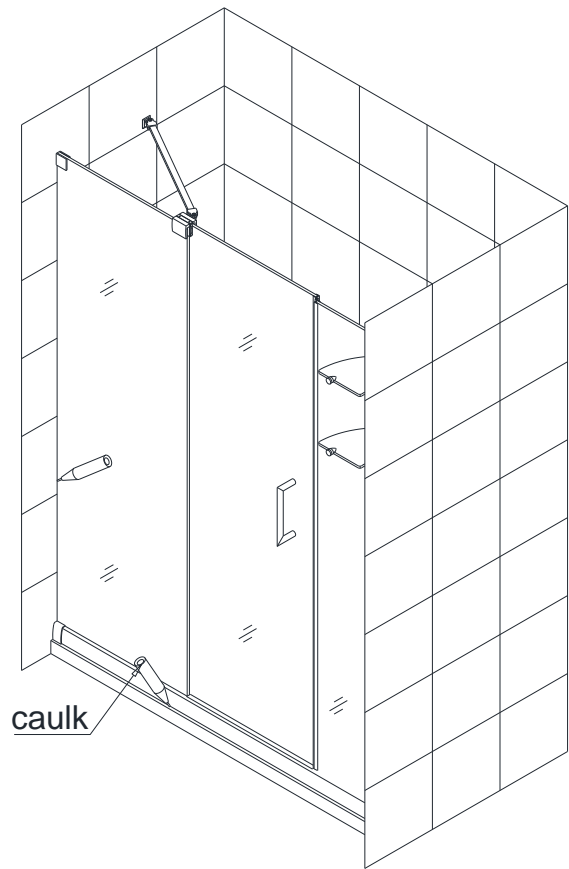


Fig. 23

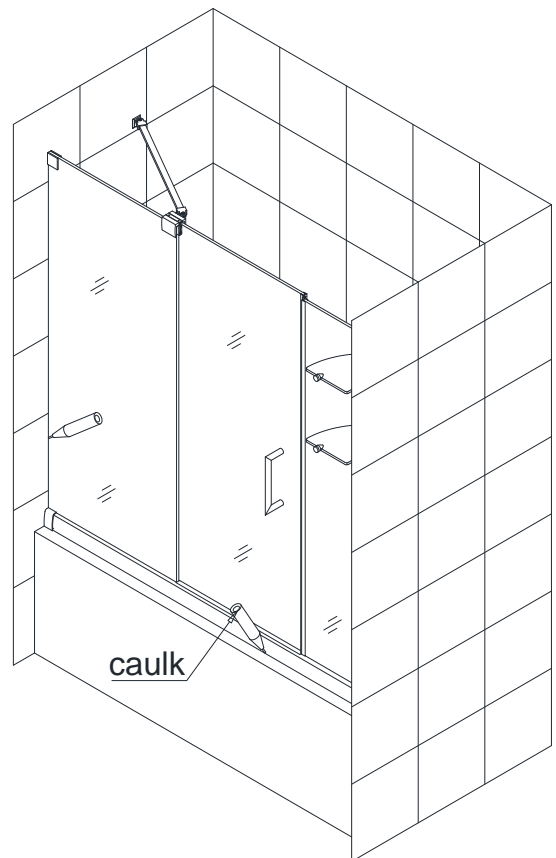


Fig. 24



**NOTICE:** The above installation steps are given for the right-hand configuration.

For left-hand configuration door, please reverse **Stationary glass A and B** and attach the **Sliding bracket assembly (12)** to **Stationary glass A**.

See Fig. 25 for details.

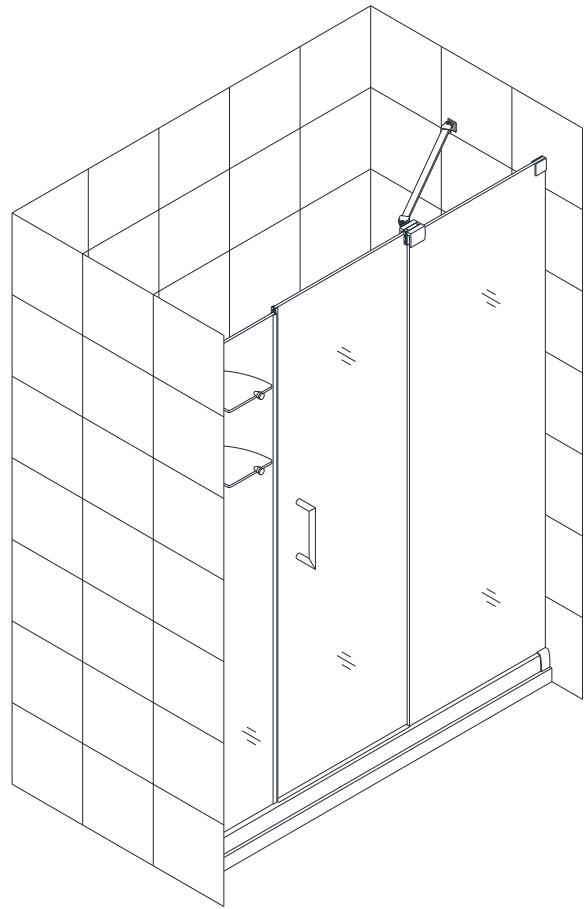


Fig. 25

## **Product Maintenance**

To ensure long lasting life for your acrylic back walls, wipe them off after each use with a soft cloth. To clean the acrylic back walls use non-abrasive sprays or cream based cleaners. Never use abrasive cleansers, metal brushes or scrapers that could scratch or dull the surface.

To ensure long lasting life for your glass shower products, wipe them off after each use with a soft cloth. Rinse and wipe off the glass using either soft cloth or squeegee to prevent soap buildup. Never use abrasive cleaners and cleaning products that contain scouring agents as this may scratch the surface. Never use bristle brushes or abrasive sponges.

To ensure a long lasting hardware finish, wipe off the metal parts after each use with a soft cloth. Do not use abrasive cleaners or cleaning products containing ammonia, bleach or acid. If accidentally used, rinse the surface as soon as possible to prevent finish peeling or corrosion. After cleaning the shiny finishes, rinse thoroughly and wipe dry with soft cloth. Clean stainless steel surfaces at least once a week. When applying stainless steel cleaner or polish, work with (not against/across) the grain. Never use an abrasive sponge or cloth, steel wool or wired brushes.

## DREAMLINE™ EXCLUSIVE LIMITED WARRANTY AS OF MAY 6, 2013

This warranty extends only to the original owner/end-user for household use only and is not transferable to a subsequent owner. This warranty extends for a designated period of time, so long as it remains in use in its original place of installation. This warranty applies only to DreamLine products purchased from an authorized dealer in United States or Canada. Proof of purchase (original sales receipt) from the original consumer purchase must be provided with all warranty claims.

**IN NO EVENT SHALL THE LIABILITY OF DREAMLINE EXCEED THE PURCHASE PRICE OF THE UNIT.**

DreamLine products must be installed by a fully insured and licensed professional. Installation of DreamLine product by anyone other than fully insured licensed professionals shall **VOID THE WARRANTY**. DreamLine recommends that such licensed professionals have experience in the installation of bathroom products. Installation of certain products, including, without limitation, glass products (i.e., shower and tub doors) by an inexperienced installer may result in glass breakage and, consequently, cause personal injury or death.

### PARTS ONLY WARRANTY

This warranty is extensive in that it covers replacement of all defects. LABOR CHARGES AND/OR DAMAGE INCURRED IN INSTALLATION, REPAIR, OR REPLACEMENT, AS WELL AS ANY OTHER KIND OF LOSS OR DAMAGE ARE EXCLUDED

### COMMERCIAL USE AND OTHER EXCLUSIONS

This warranty excludes all industrial, commercial and business usage, whose purchasers are hereby extended a one (1) year limited warranty from the date of purchase for shower and tub doors, a three (3) month limited warranty from the date of purchase for vanities and sinks, with all other terms of this warranty applying except the duration of the warranty.

DREAMLINE JETTED AND STEAM SHOWER CABINS, DREAMLINE SHOWER COLUMNS AND DREAMLINE SHOWER SEATS ARE NOT INTENDED FOR COMMERCIAL USE AND THERE IS NO WARRANTY EXTENDED FOR THESE PRODUCTS FOR COMMERCIAL USE.

DreamLine hereby disclaims all warranties for products sold as dealer or store displays. DreamLine hereby disclaims all warranties for products used outside of the United States or Canada whether expressed or implied, including but not limited to the implied warranties of merchantability and fitness for a particular purpose.

### WARRANTY TERMS

DreamLine will, at its election, repair or replace the product found by DreamLine in its sole judgment, to be defective within the warranty period under normal residential use and maintenance. The replacement of a product is limited to supplying a replacement product or part (same as existing or if not available, comparable product). DreamLine warranty obligation shall be discharged upon tender of parts, replacement or repair of the product. Purchaser's refusal to accept the tender terminates all warranty obligations and **VOIDS THE WARRANTY**. Cost of freight for returning products to DreamLine for repairs or replacement under this limited warranty are the responsibility of the customer. Cost of freight associated with shipping of replacement product or parts to the customer may be charged to customer. Any product replaced or repaired during the warranty period will be covered only for the remaining period of the original warranty. In no event will DreamLine be liable for costs of repair or replacement of any installation material, including but not limited to tiles, marble, etc.

**DREAMLINE IS NOT RESPONSIBLE FOR INSTALLATION, REMOVAL OR REINSTALLATION COSTS OF ANY PRODUCT REQUIRING WARRANTY SERVICES.**

Any modification or alteration of any DreamLine products will void the warranty. DreamLine product installations and repairs must be performed by either a DreamLine authorized agent or a licensed, insured and experienced professional contractor - installation or repairs performed by any other party shall void the warranty. This warranty shall not apply to breakage or damages caused by normal wear and tear, fault, carelessness, abuse, misuse, misapplication, improper maintenance, alteration or modification of the unit, as well as chemical or natural corrosion, accident, fire, flood, act of God or any other casualty. Improper care and cleaning will void the warranty. Use of cleaners containing abrasive cleansers, ammonia, bleach, acids, waxes, alcohol, solvents or other products not recommended for chrome or similar finish, glass or acrylic will void the warranty. For additional product maintenance instructions please refer to product installation manual. DreamLine is not responsible for any issues arising in connection with errors or omissions in information provided on DreamLine's websites. The warranty does not extend to any non-DreamLine plumbing or components installed by installers, end users or by any party other than DreamLine.

**THE FOREGOING WARRANTIES ARE IN LIEU OF ALL OTHER WARRANTIES, EXPRESSED OR IMPLIED, INCLUDING BUT NOT LIMITED TO THE IMPLIED WARRANTIES OF MERCHANTABILITY AND FITNESS FOR A PARTICULAR PURPOSE. BATH AUTHORITY LLC ("DREAMLINE") AND/OR SELLER DISCLAIMS ALL LIABILITY FOR SPECIAL, INCIDENTAL OR CONSEQUENTIAL DAMAGES. DREAMLINE IS NOT LIABLE FOR PERSONAL INJURIES OR DEATH TO ANY PERSON OR FOR ANY DIRECT, SPECIAL, INCIDENTAL OR CONSEQUENTIAL DAMAGE, LOSS OF USE, LOSS OF TIME, LOSS OF PROFITS, INCONVENIENCE, INCIDENTAL EXPENSES, LABOR OR MATERIAL CHARGES, OR ANY OTHER COSTS RESULTING FROM THE USE OF ITS PRODUCTS OR PERTAINING TO THE APPLICATION OF THE PRESENT WARRANTY, OR RESULTING FROM THE REMOVAL OR REPLACEMENT OF ANY PRODUCT OR ELEMENT OR PART COVERED BY THIS WARRANTY.**

### PRODUCT WARRANTY PERIODS

DreamLine is not responsible for product code compliance or for verifying building code restrictions on installation or use and any such compliance is excluded from this warranty. DreamLine reserves the right to modify this warranty at any time - such warranty modifications will not alter the warranty applicable at the time of sale of the products in question. The warranty terms for specific products for consumer (non-industrial, non-commercial, non-business use only) are:

#### SHOWER BACKWALL, SHOWER CABINS (JETTED & STEAM)

DreamLine warrants shower backwalls and shower cabins to be free from defects in workmanship for a period of one (1) year from initial date of purchase by the owner/end-user, contractor or builder from an authorized dealer.

#### SHOWER & TUB DOORS, SHOWER ENCLOSURES

DreamLine warrants shower doors, tub doors and shower enclosures to be free from defects in workmanship and materials under normal residential use for a period of five (5) years from the initial date of purchase by the owner/end-user, contractor or builder from an authorized dealer. Warranty for plastic strips shall be limited to one (1) year. Warranty for any part in Oil Rubbed Bronze finish shall be limited to one (1) year.

#### SHOWER BASES

DreamLine warrants shower bases to be free from defects in workmanship and materials under normal residential use for as long as the original consumer purchaser owns their home in which their product is installed.

#### SHOWER COLUMNS

DreamLine warrants shower columns to be free from defects in workmanship and materials under normal residential use for a period of one (1) year from the initial date of purchase by the owner/end-user, contractor or builder from an authorized dealer.

#### SHOWER SEATS

DreamLine warrants shower seats to be free from defects in workmanship and materials under normal residential use for a period of one (1) year from the initial date of purchase by the owner/end-user, contractor or builder from an authorized dealer. Warranty shall be VOID if the shower seat is not professionally installed on a properly reinforced wall.

#### VANITIES AND VESSEL SINKS

DreamLine warrants bathroom vanities and vessel sinks to be free from defects in workmanship and materials under normal residential use for a period of one (1) year from the initial date of purchase by the owner/end-user, contractor or builder from an authorized dealer.

#### STATE LAWS AND THIS WARRANTY

Some states/provinces do not allow limitations on how long an implied warranty lasts, or the exclusion or limitation of special, incidental or consequential damages, so these limitations and exclusions may not apply to you. This warranty gives you specific legal rights. You may also have other rights, which vary from state/province to state/province.

### WARRANTY SERVICE

The following information will be required for you to file a Warranty claim:

1. Your name, address and telephone number
2. Product model number
3. Brief description of problem (please note that additional information such as photos may be required to fully process your warranty claim)
4. Proof of purchase

You may submit this information by e-mail, mail or fax to:

DreamLine  
Warranty Service Center  
75 Hawk Road  
Warminster, PA 18974  
F:1-866-857-3638  
T:1-866-731-2244  
Warranty@bathauthority.com



---

TEL: [866-731-2244](tel:866-731-2244)

FAX: [866-227-1533](tel:866-227-1533)

[WWW.BATHAUTHORITY.COM](http://WWW.BATHAUTHORITY.COM)

For more information on [DreamLine™ Shower Doors](http://www.BathAuthority.com) and [Tub Doors](http://www.BathAuthority.com) please visit [www.BathAuthority.com](http://www.BathAuthority.com)