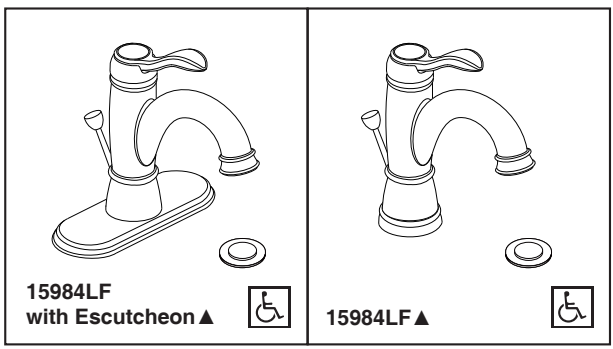


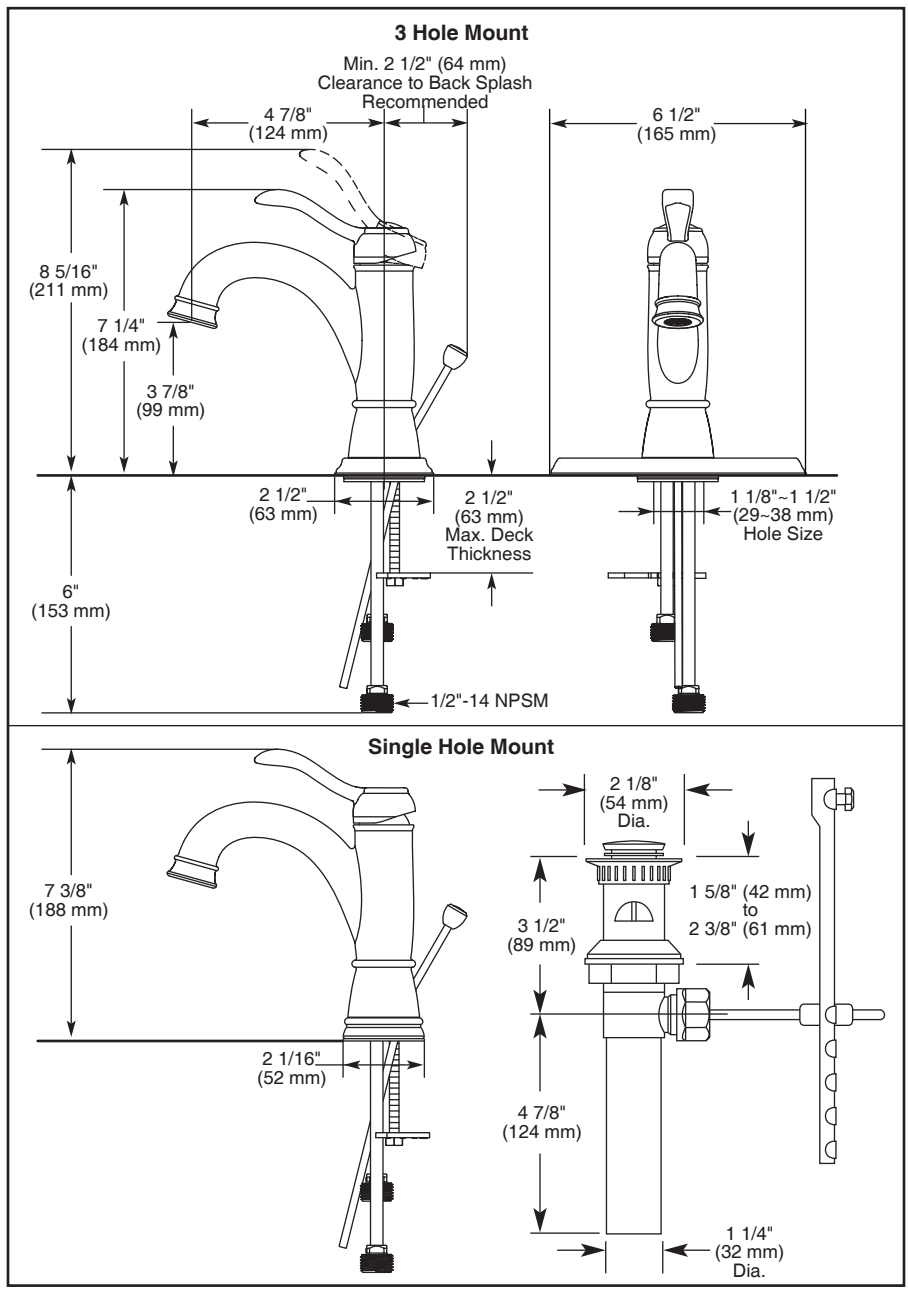


LAVATORY FAUCETS

- Single Handle Deck Mount
- 1 or 3 Hole Sink Applications



Submitted Model No.: _____
 Specific Features: _____



STANDARD SPECIFICATIONS:

- Solid brass fabricated body.
- Single handle lavatory deck faucets for exposed mounting on 1 or 3 hole sinks.
- 4 7/8" (124 mm) long spout.
- Centermount or 4" (102 mm) centers with optional 6 1/2" (165 mm) escutcheon.
- Lever handle. Control mechanism is replaceable cartridge with ceramic plates.
- 1/2" - 14 NPSM adapters.
- Maximum flow rate 1.5 gpm @ 60 PSI.
- Models have drain with pop-up type fitting with plated flange and stopper.

WARRANTY

- Lifetime Faucet and Finish Limited Warranty to the Original consumer purchaser to be free from defects in material and workmanship.
- 5 Year Limited Warranty for usage in all industrial, Commercial and Business applications.

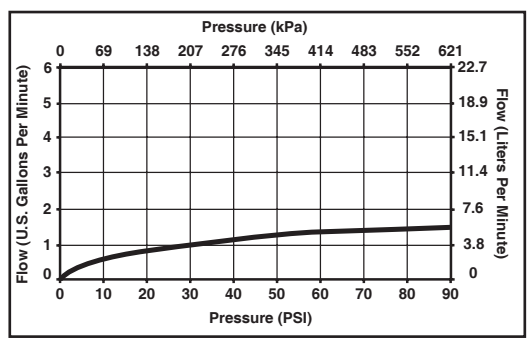


COMPLIES WITH:

- ASME A112.18.1 / CSA B125.1
- ASME A112.18.2 / CSA B125.2

Indicates compliance to ICC/ANSI A117.1

- CSA Certified
- EPA WaterSense
- Verified compliant with 0.25% weighted average Pb content regulations.



▲ Designate Proper Finish Suffix

Delta reserves the right (1) to make changes in specifications and materials, and (2) to change or discontinue models, both without notice or obligation. Dimensions are for reference only. See current full-line price book or www.specselect.com for finish options and product availability.

DSP-L-15984LF Rev. A



55 E. 111th Street, Indianapolis, Indiana, 46280
 350 South Edgeware Rd., St. Thomas, Ontario N5P 4L1
 © 2011 Masco Corporation of Indiana