



## Electronic Faucets

Deckmount Electronic Gooseneck Faucet

**Model No: 1500T3470**

### COMPLIES WITH:

- CSA certified.
- Complies to ASME A112.18.1
- ADA compliant and meets Handicapped Accessibility Standard ASME A117.1 of less than 5 lbs handle operating force
- US Patent #6, 826, 455
- For optimum performance of this product, we recommend a system pressure between 20 and 80 psi static. This product will operate up to a maximum of 125 psi static per ANSI and CSA requirements. However, we do not recommend pressures above 80 psi. Thermal expansion or leaking pressure reducing valves may require use of expansion tanks or relief valves to ensure your system never exceeds its maximum intended pressure setting.
- (Contact Delta Representative for State and/or Local Approvals)



### SPECIFICATION:

- Infrared electronic handwash system
- H<sup>2</sup>Optics® technology- no external adjustments required
- Chrome plated one piece CAST main body with Integral sensor and FIXED spout
- Adjustable sensing range and timeout
- Spout: R5 - Smooth End Gooseneck - 6.0" radius - 12.0" height (unmounted) - Standard rigid installation - Vandal resistant .090" wall thickness (R5SE)
- Outlet#: 7 - Smooth Spout End with Laminar Flow Control in Spout Base - 1.5 USGPM (5.7L/min)
- Deckmount FIXED Gooseneck Spout(R5) with Integral Sensor in Base and 4" Forged Coverplate
- (24 VAC) Hardwire powered by Class II transformer (purchased separately)
- Hardwire Version comes complete with watertight connector and Hardwire Converter 24VAC to 6VDC
- Optional battery backup available
- Plastic SURFACE Mount Housing-REQUIRES SINGLE TEMPERED WATER SUPPLY
- Forged Brass Solenoid Valve

### OPERATION:

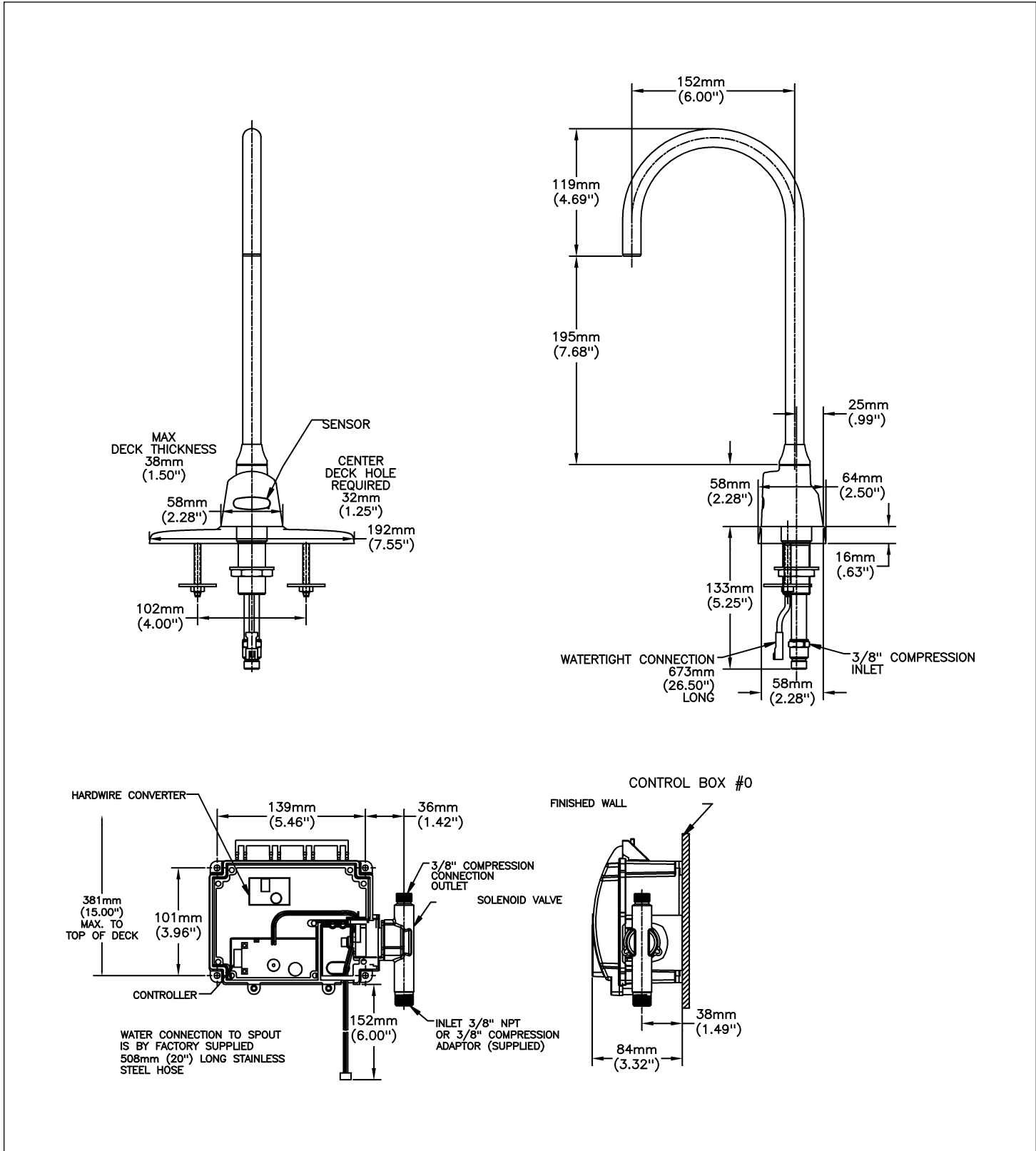
- Hands free (touchless) operation
- Water flows when sensor is activated
- Water flow stops upon de-activation of sensor
- Auto shut-off feature that is selectable between 15 and 75 seconds. Factory set to 45 seconds
- Will reset once obstruction is removed
- Adjustable sensing distance 76 to 381 mm (3" to 15"). Factory set to 229 mm (9") (+/- 1.0")

***(Dimensional drawing on following page)***

Delta reserves the right (1) to make changes to specifications and materials, and (2) to change or discontinue models, both without notice or obligation. Dimensions are for reference. Measurement may vary plus or minus 6mm(0.25"). Mounting locations are suggested only. Check with local codes for requirements in your area. This spec was produced March 01, 2012.

Delta Faucet Company - 55 East 111th St. - Indianapolis, Indiana, USA 46280 - (317) 848-1812  
Delta Faucet Canada - 395 Matheson Blvd E - Mississauga, Ontario, Canada L4Z 2H2 - (905) 712-3030

Model No: 1500T3470



Delta reserves the right (1) to make changes to specifications and materials, and (2) to change or discontinue models, both without notice or obligation. Dimensions are for reference. Measurement may vary plus or minus 6mm(0.25"). Mounting locations are suggested only. Check with local codes for requirements in your area. This spec was produced March 01, 2012.

Delta Faucet Company - 55 East 111th St. - Indianapolis, Indiana, USA 46280 - (317) 848-1812  
 Delta Faucet Canada - 395 Matheson Blvd E - Mississauga, Ontario, Canada L4Z 2H2 - (905) 712-3030