

Submitted Model No.: \_\_\_\_\_  
 Specific Features: \_\_\_\_\_



# LAVATORY FAUCETS

- Nura™ Collection
- Diamond Seal® Technology
- Single Handle Deck Mount
- 1 or 3 Hole Sink Applications

## STANDARD SPECIFICATIONS:

- Single handle lavatory deck faucets for exposed mounting on 1 or 3 hole sinks.
- Solid brass fabricated body.
- 5 1/2" (140 mm) long spout.
- Lever handle. Control mechanism is the diamond embedded ceramic disc cartridge.
- Control handle shall return to neutral position when valve is turned off.
- 3/8" O.D. straight, staggered pex supply tubes 35" (889 mm) and 36" (914 mm) long.
- Maximum flow rate 1.5 gpm @ 60 PSI.
- Models have drain with pop-up type fitting with plated flange and stopper.

## WARRANTY

- Lifetime Faucet and Finish Limited Warranty to the Original consumer purchaser to be free from defects in material and workmanship.
- 5 Year Limited Warranty for usage in all industrial, Commercial and Business applications.

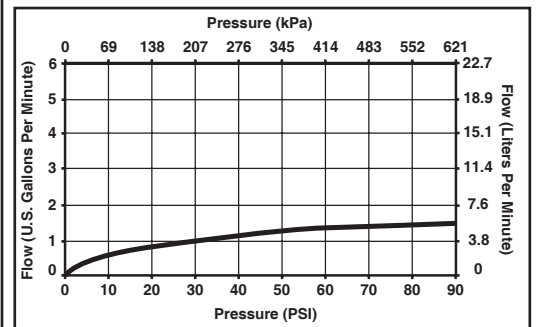
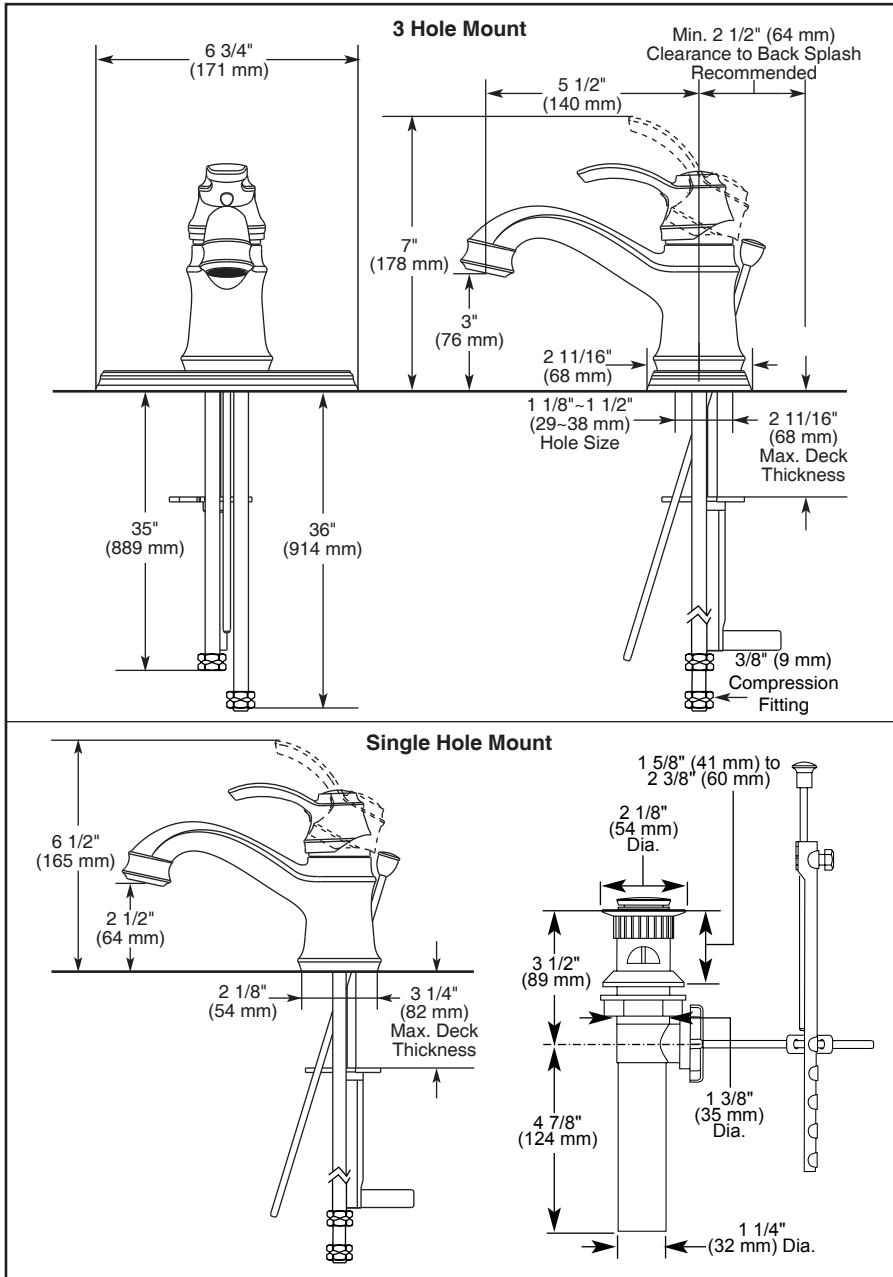


## COMPLIES WITH:

- ASME A112.18.1 / CSA B125.1
- ASME A112.18.2 / CSA B125.2
- ASME A112.18.6

Indicates compliance to ICC/ANSI A117.1

- CSA Certified
- EPA WaterSense
- Verified compliant with 0.25% weighted average Pb content regulations.



▲ Designate Proper Finish Suffix



Delta reserves the right (1) to make changes in specifications and materials, and (2) to change or discontinue models, both without notice or obligation. Dimensions are for reference only. See current full-line price book or www.specselect.com for finish options and product availability.

DSP-L-15710-DST Rev. A

55 E. 111<sup>th</sup> Street, Indianapolis, Indiana, 46280  
 350 South Edgeware Rd., St. Thomas, Ontario N5P 4L1  
 © 2011 Masco Corporation of Indiana