



Electronic Faucets

Deckmount Electronic Gooseneck Faucet

Model No: 1501T3480

COMPLIES WITH:

- CSA certified.
- Complies to ASME A112.18.1
- IAPMO listed
- ADA compliant and meets Handicapped Accessibility Standard ASME 117.1 of less than 5 lbs operating force
- US Patent #6, 826, 455
- For optimum performance of this product, we recommend a system pressure between 20 and 80 psi static. This product will operate up to a maximum of 125 psi static per ANSI and CSA requirements. However, we do not recommend pressures above 80 psi. Thermal expansion or leaking pressure reducing valves may require use of expansion tanks or relief valves to ensure your system never exceeds its maximum intended pressure setting.
- (Contact Delta Representative for State and/or Local Approvals)



SPECIFICATION:

- Infrared electronic handwash system
- H²Optics™ technology- no external adjustments required
- Chrome plated one piece CAST main body with Integral sensor and FIXED spout
- Adjustable sensing range and timeout
- Deckmount Electronic Gooseneck Faucet
- Spout: R5 - Smooth End Gooseneck-6.0" radius-12.0" height(unmounted)- Standard rigid/swivel field installation unless LS Limited swing option selected-Vandal resistant .090" wall thickness
- Outlet#: 8 - Smooth End, Laminar Flow Control in Base of Gooseneck Spout 0.5 USGPM (1.9 L/min.)
- Deckmount FIXED Gooseneck Spout(R5) with Integral Sensor in Base and 4" Forged Coverplate-NO Optional Spouts available
- Battery powered (4 "C" cell batteries, except when -HP selected)
- Audible low battery indicator
- Plastic SURFACE Mount Housing-REQUIRES SINGLE TEMPERED WATER SUPPLY

OPERATION:

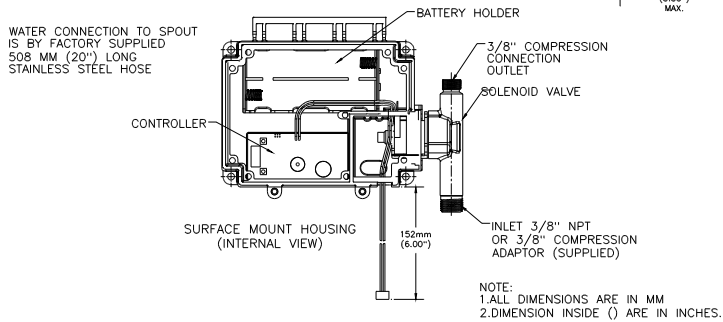
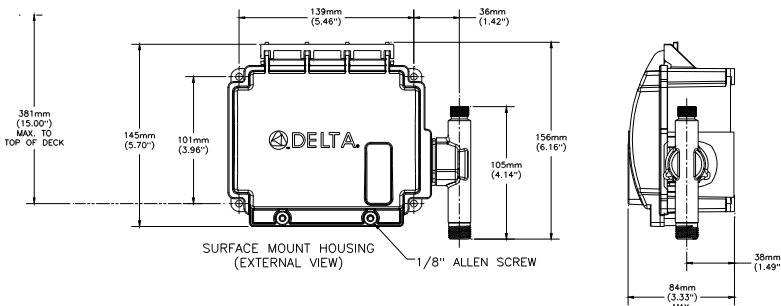
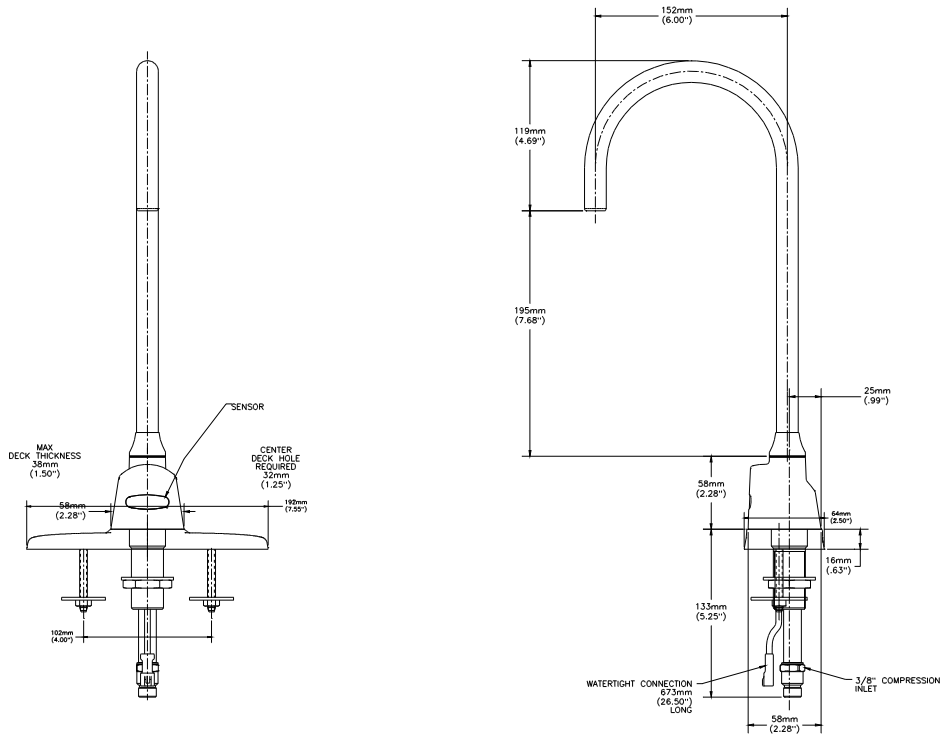
- Hands free (touchless) operation
- Water flows when sensor is activated
- Water flow stops upon de-activation of sensor
- Auto shut-off feature that is selectable between 15 and 75 seconds. Factory set to 45 seconds
- Will reset once obstruction is removed
- Adjustable sensing distance 76 to 381 mm (3" to 15"). Factory set to 229 mm (9") (+/- 1.0")
- Low battery audible beep will activate after faucet shuts off when approximately 1500 cycles remain.

(Dimensional drawing on following page)

Delta reserves the right (1) to make changes to specifications and materials, and (2) to change or discontinue models, both without notice or obligation. Dimensions are for reference. Measurement may vary plus or minus 6mm(0.25"). Mounting locations are suggested only. Check with local codes for requirements in your area.

Delta Faucet Company - 55 East 111th St. - Indianapolis, Indiana, USA 46280 - (317) 848-1812
Delta Faucet Canada - 395 Matheson Blvd E - Mississauga, Ontario, Canada L4Z 2H2 - (905) 712-3030

Model No: 1501T3480



Delta reserves the right (1) to make changes to specifications and materials, and (2) to change or discontinue models, both without notice or obligation. Dimensions are for reference. Measurement may vary plus or minus 6mm(0.25"). Mounting locations are suggested only. Check with local codes for requirements in your area.

Delta Faucet Company - 55 East 111th St. - Indianapolis, Indiana, USA 46280 - (317) 848-1812
 Delta Faucet Canada - 395 Matheson Blvd E - Mississauga, Ontario, Canada L4Z 2H2 - (905) 712-3030