

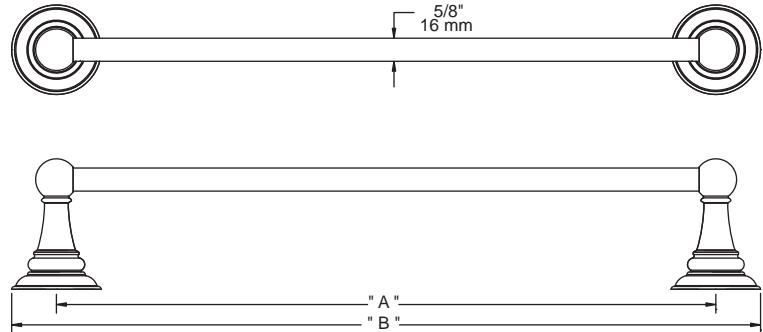
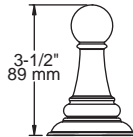
## TECHNICAL DATA

*Delta® Providence®*

18 in. & 24 in. TOWEL BAR

**EASY CLIP™**

INSTALLATION • INSTALLATION • INSTALACIÓN



**MATERIALS:** Base Plate, Post - Zinc Die Cast  
18", 24" Tube - Steel, 5/8" O.D.  
Wall Plate - Steel, Zinc Plated

**INSTALLATION:** Mount wall plate bracket(s) per installation instructions with supplied fasteners. Slip product over wall plate(s) and slide down to secure.

**OPTIONAL FASTENER INFORMATION:**  
Wood blocking is preferable behind all wall surfaces. If wood blocking is not available, the following fasteners are suggested:  
Tile/Masonry - Plastic or Lead Anchors, Plaster/Drywall - Toggle Bolts.

**SPECIFICATION:** Surface mounted towel bar shall be model \_\_\_\_\_  
(fill in model number) by Liberty Hardware Manufacturing Corporation.

LENGTH	18" (457 mm)	24" (610 mm)
DIM "A"	18" (457 mm)	24" (610 mm)
DIM "B"	20-1/2" (521 mm)	26-1/2" (673 mm)