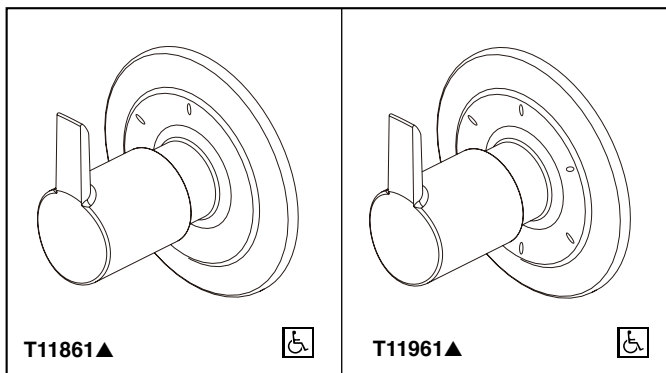




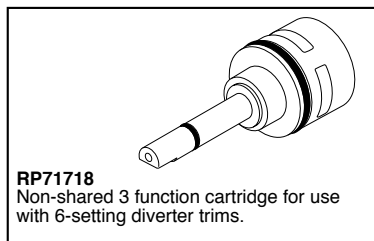
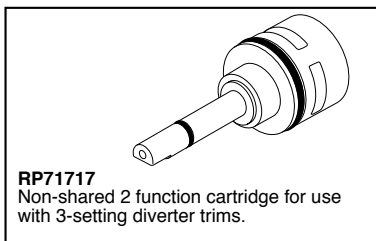
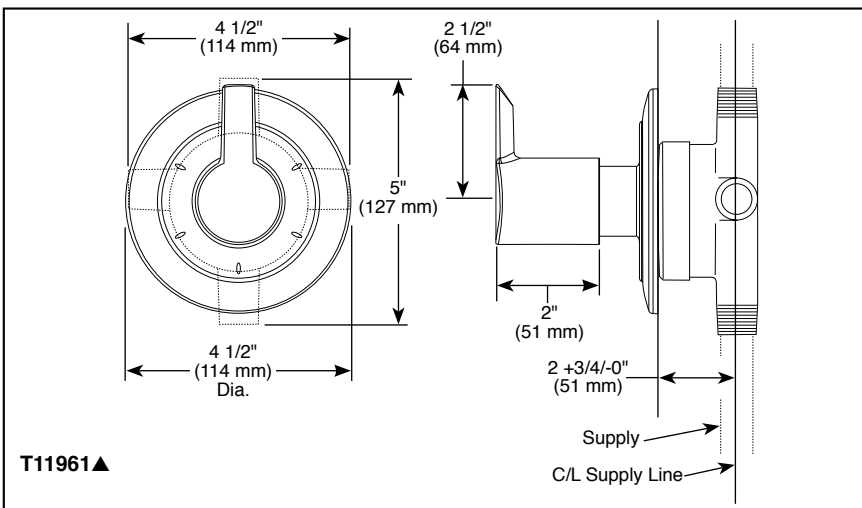
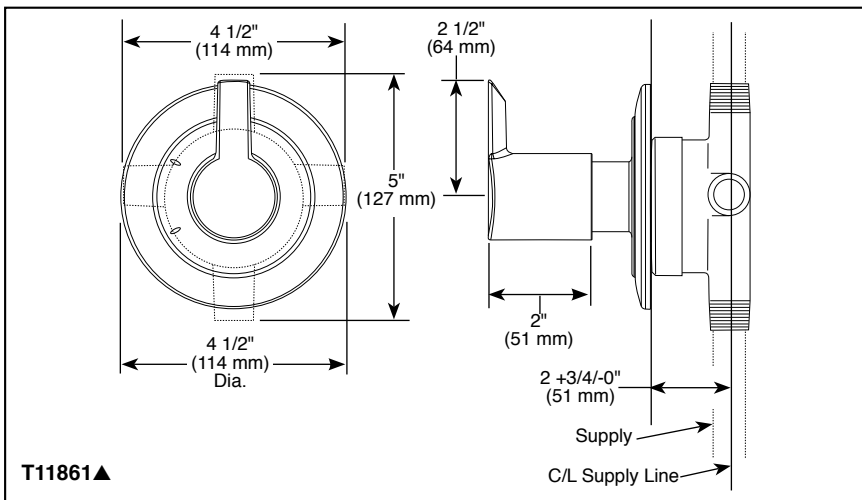
CUSTOM SHOWER DIVERTER

- Compel™ Collection
- Three Function Diverter Trim (T11861)
- Six Function Diverter Trim (T11961)
- Coordinates With The Delta Compel™ Styled Bath Suites



Submitted Model No.: _____

Specific Features: _____



▲ Designate proper finish suffix

Delta reserves the right (1) to make changes in specifications and materials, and (2) to change or discontinue models, both without notice or obligation. Dimensions are for reference only. See current full-line price book or www.specselect.com for finish options and product availability.

DSP-B-T11861 Rev. A

STANDARD SPECIFICATIONS

- Three function diverter: 2 individual positions, 1 shared position.
- Six function diverter: 3 individual positions, 3 shared positions.
- 1/2" rough-in.
- Must also order R1 1000 rough-in.
- Two individual positions, no shared positions, order cartridge RP71717.
- Three individual positions, no shared positions, order cartridge RP71718.

WARRANTY

- Lifetime Faucet and Finish Limited Warranty to the original consumer purchaser to be free from defects in material and workmanship.
- 5 Year Limited Warranty for usage in all industrial, commercial and business applications.



COMPLIES WITH:

- ASME A112.18.1 / CSA B125.1
- Indicates compliance to ICC/ANSI A117.1



55 E. 111th Street, Indianapolis, Indiana 46280
350 South Edgeware Road, St. Thomas, ON N5P 4L1
© 2012 Masco Corporation of Indiana