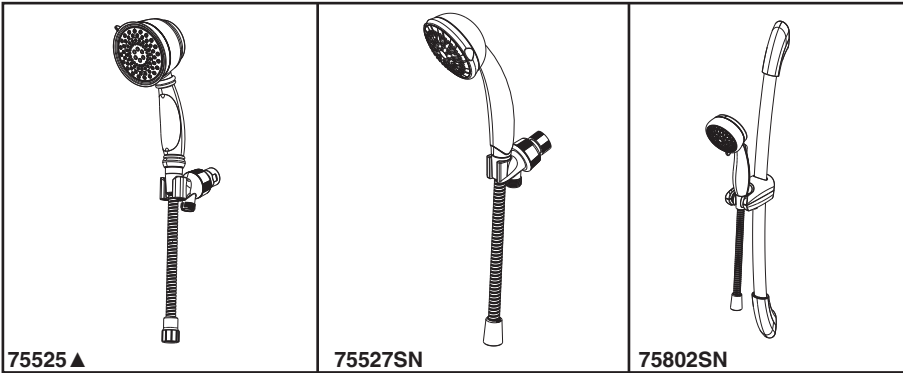




HANDSHOWER

- 28" Wall bar with handshower-75802SN
- Arm mount handshower
- 72" or 60" flexible hose



Submitted Model No.: _____
 Specific Features: _____

<p>75525 ▲ 2.5 GPM</p> <ul style="list-style-type: none"> Drenching Full Spray Standard Full Spray Massage Spray Full Spray w/ Massage Trickle 	<p>75527SN 2.5 GPM</p> <ul style="list-style-type: none"> Full Spray Massage Spray Aerated Spray Full Spray w/ Massage Full Spray w/ Aerated
<p>75802SN 2.5 GPM</p> <ul style="list-style-type: none"> Wide Full Spray Standard Full Spray Drenching Full Spray Massage Spray Full Spray w/ Massage Energy Saving Spray Trickle 	

▲ Designate proper finish suffix

STANDARD SPECIFICATIONS:

- ABS hand held shower with five or seven settings – not a positive shut-off.
- Adjustable shower arm mount for hands-free showering.
- Wall bar with adjustable height hand shower mount.
- 2.5 gpm @ 80 psi (9.5 L/min @ 552 kPa).

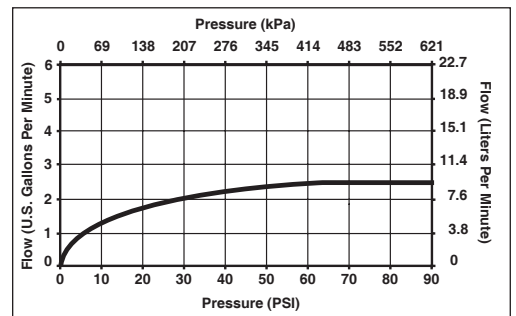
WARRANTY

- Lifetime Faucet and Finish Limited Warranty to the original consumer purchaser to be free from defects in material and workmanship.
- 5 Year Limited Warranty for usage in all industrial, commercial and business applications.



COMPLIES WITH

- ASME A12.18.1/CSA B125.1



55 E. 111th Street, Indianapolis, Indiana 46280
 350 South Edgeware Road, St. Thomas, Ontario Canada N5P 4L1
 © 2012 Masco Corporation of Indiana

Delta reserves the right (1) to make changes in specifications and materials, and (2) to change or discontinue models, both without notice or obligation. Dimensions are for reference only. See current full-line price book or www.specselect.com for finish options and product availability.