

## BAR FAUCETS

- Victorian® Collection
- Two Handle Deck Mount
- 2 or 3 Hole Sink Applications
- 4" Centerset
- DIAMOND Seal® Technology

Submitted Model No.: \_\_\_\_\_

Specific Features: \_\_\_\_\_

### STANDARD SPECIFICATIONS:

- Two handle bar deck faucets for exposed mounting on two or three hole sinks.
- 4" (102 mm) centerset.
- 5 1/8" (130 mm) long, 8 3/4" (222 mm) overall height, 6 1/2" (165 mm) outlet height, spout swings 360°.
- 1/4 turn handle stops.
- Lever handle. Control mechanism is a diamond embedded ceramic disc cartridge.
- Hot and cold stems are interchangeable.
- 3/8" O.D. straight pex supply tubes - 32" (813 mm) long.
- Maximum 1.5 gpm flowrate @ 60 PSI.
- Maximum mounting deck thickness is 2 1/4" (57 mm).

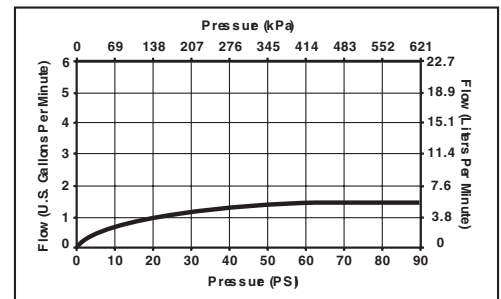
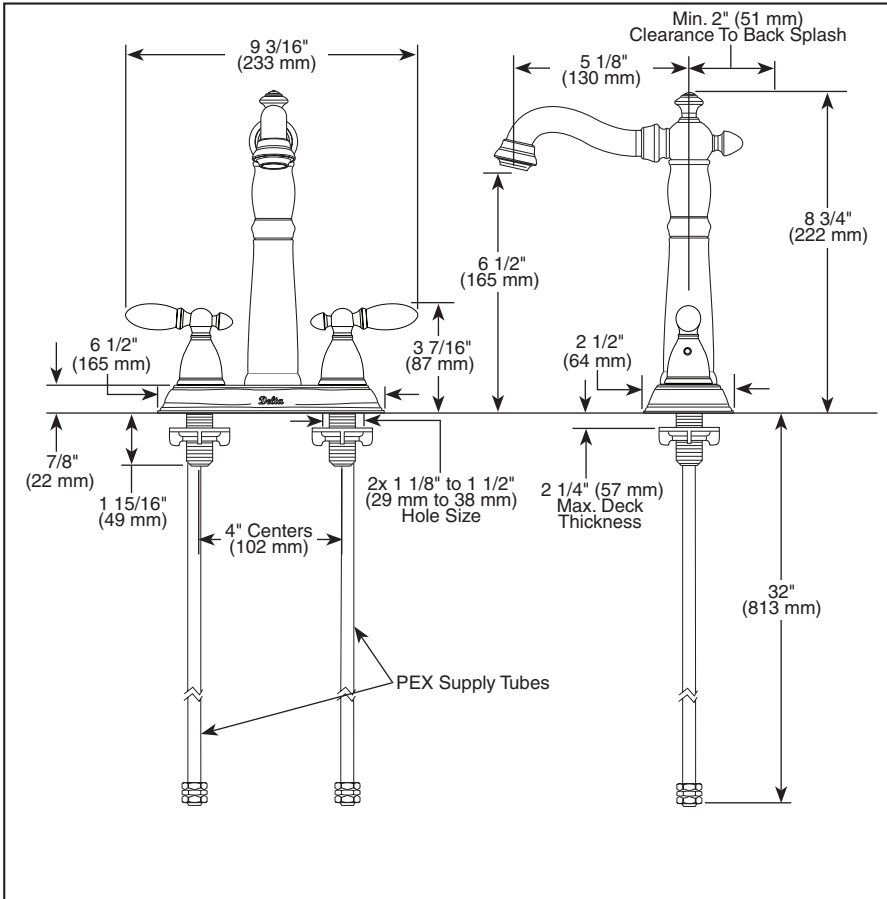
### WARRANTY

- Lifetime limited warranty on parts (other than electronic parts and batteries) and finishes: or, for commercial users, for 5 years from date of purchase.
- 5 year limited warranty on electronic parts (other than batteries); or, for commercial users, for 1 year from the date of purchase. No warranty is provided on batteries.



### COMPLIES WITH:

- ASME A112.18.1 / CSA B125.1
- Indicates compliance to ICC/ANSI A117.1
- EPA WaterSense®
- Verified compliant with .25% weighted average Pb content regulations.



▲ Designate proper finish suffix

Delta reserves the right (1) to make changes in specifications and materials, and (2) to change or discontinue models, both without notice or obligation. Dimensions are for reference only. See current full-line price book or [www.deltafaucet.com](http://www.deltafaucet.com) for finish options and product availability.

DSP-K-2155-DST Rev. B



55 E 111th Street, Indianapolis, Indiana 46280  
 350 South Edgeview Road, St. Thomas, ON N5P 4L1  
 © 2013 Masco Corporation of Indiana