



## Distilled Water Faucets

Deckmount distilled water faucet

**Model No: W6635DI**

### **COMPLIES WITH:**

- (Contact Delta Representative for State and/or Local Approvals)

### **SPECIFICATION:**

- Deckmount pure water faucet complete with W6629 Celcon valve with 6 serration hose end
- Engineered from modern materials to keep distilled water pure. Celcon control valve is chemically inert to most common laboratory chemicals (not hydrochloric or sulphuric acids)
- Life tested to 500,000 cycles. Operates up to 414kPa (60 psi) line pressure
- Flexible diaphragm seat is moulded to the stem for positive action, seal and long life. Valve diaphragm and entire waterway is inert Tygon material with a Celcon union inlet connection, preventing contact of water with metal components. 1/2" M.I.P. size
- Double action spring loaded handle provides self-closing and full lock-open flow operation
- All spouts are rigid and made from heavy duty 3/8" I.P.S. brass pipe, with inert lining Tygon tubing.
- Smooth, glossy chrome plated finish allows for ease of cleaning
- Forged brass turret with vandal resistant locking pins to prevent damage to mounting surface (can be removed in field if not required)
- Brass locknut and raised lockwasher to provide positive gripping during installation
- Celcon 1/2" NPT union tail inlet
- 1/2" NPS shank
- Deckmount distilled water faucet
- Chrome Finish
- Spout: - 6" Radius Gooseneck (standard)
- Outlet: Self-closing and lock-open celcon control valves
- Assembled Shank:
- Indexed For: DI - Deionized Water (White)

### **OPERATION:**

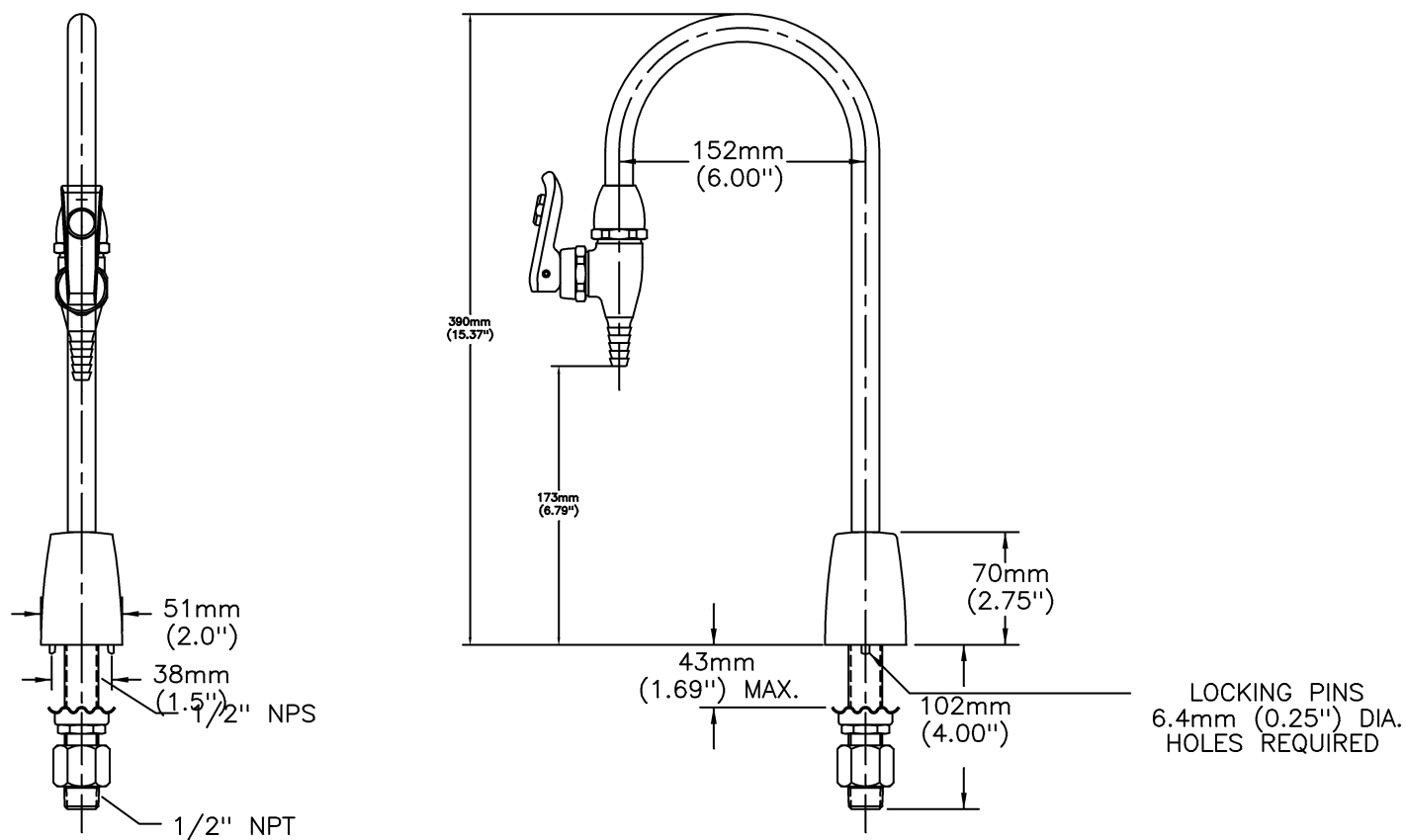
- Not Available

***(Dimensional drawing on following page)***

Delta reserves the right (1) to make changes to specifications and materials, and (2) to change or discontinue models, both without notice or obligation. Dimensions are for reference. Measurement may vary plus or minus 6mm (0.25"). Mounting locations are suggested only. Check with local codes for requirements in your area. This spec was produced November 03, 2011.

Delta Faucet Company - 55 East 111th St. - Indianapolis, Indiana, USA 46280 - (317) 848-1812  
Delta Faucet Canada - 395 Matheson Blvd E - Mississauga, Ontario, Canada L4Z 2H2 - (905) 712-3030

Model No: W6635DI



NOTE ALIGNMENT OF  
LOCKING PINS TO  
ORIENTATION OF  
RIGID SPOUT.

Delta reserves the right (1) to make changes to specifications and materials, and (2) to change or discontinue models, both without notice or obligation. Dimensions are for reference. Measurement may vary plus or minus 6mm(0.25"). Mounting locations are suggested only. Check with local codes for requirements in your area. This spec was produced November 03, 2011.

Delta Faucet Company - 55 East 111th St. - Indianapolis, Indiana, USA 46280 - (317) 848-1812  
Delta Faucet Canada - 395 Matheson Blvd E - Mississauga, Ontario, Canada L4Z 2H2 - (905) 712-3030