

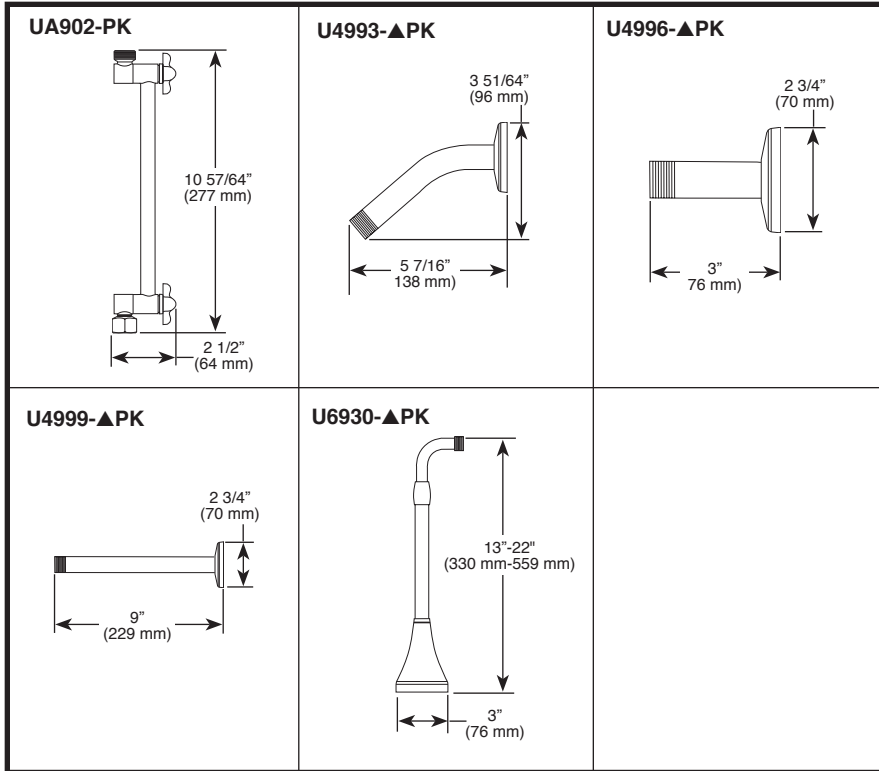
Submitted Model No.: \_\_\_\_\_

Specific Features: \_\_\_\_\_



# SHOWER ARMS

- Fixed, Extendable, and Adjustable Shower Arms
- Brass Construction



▲ Designate proper finish suffix

### STANDARD SPECIFICATIONS:

- Shower arms attach directly to water supply.
- Brass construction.
- Shower arm and flange: U4993, U4996, U4999.
- Adjustable 18" up and down: UA902.
- Extends 13"-22" (330 mm-559 mm) for overhead showering: U6930.

### WARRANTY

- Lifetime limited warranty on parts (other than electronic parts and batteries) and finishes: or, for commercial users, for 5 years from date of purchase.
- 5 year limited warranty on electronic parts (other than batteries); or, for commercial users, for 1 year from the date of purchase. No warranty is provided on batteries.



55 E. 111th Street, Indianapolis, Indiana 46280  
 350 South Edgeware Road, St. Thomas, ON N5P 4L1  
 © 2012 Masco Corporation of Indiana

Delta reserves the right (1) to make changes in specifications and materials, and (2) to change or discontinue models, both without notice or obligation. Dimensions are for reference only. See current full-line price book or www.specselect.com for finish options and product availability.