

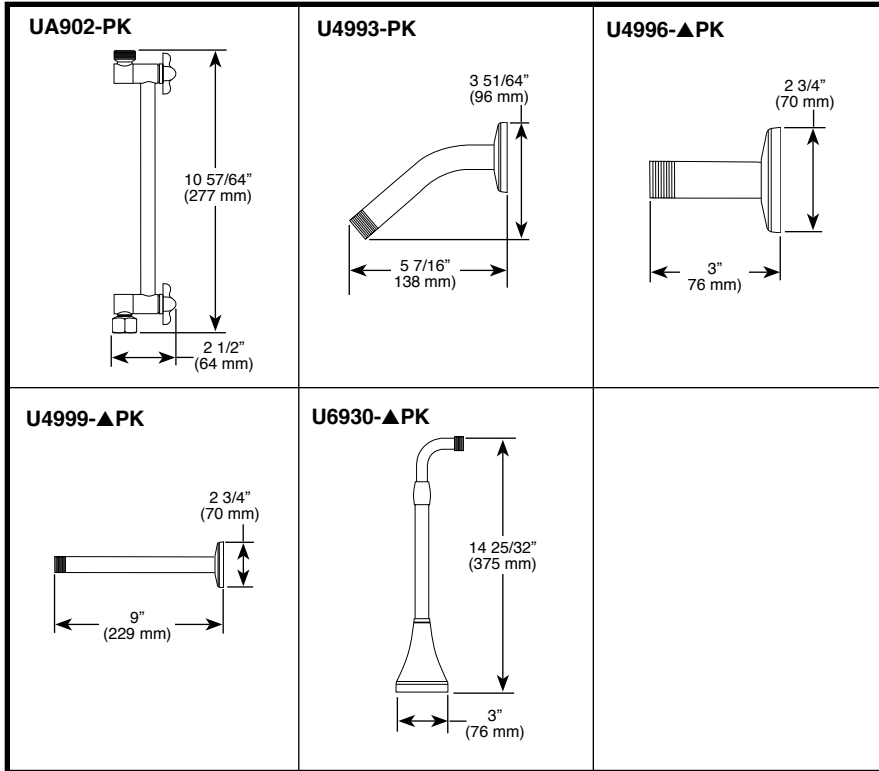
Submitted Model No.: \_\_\_\_\_

Specific Features: \_\_\_\_\_



# SHOWER ARMS

- Fixed, Extendable, and Adjustable Shower Arms
- Brass Construction



▲ Designate proper finish suffix

### STANDARD SPECIFICATIONS:

- Shower arms attach directly to water supply.
- Brass construction.
- Shower arm and flange: U4993, U4996, U4999.
- Adjustable 18" up and down: U902.
- Extendable: U6930.

### WARRANTY

- Lifetime Faucet and Finish Limited Warranty to the original consumer purchaser to be free from defects in material and workmanship.
- 5 Year Limited Warranty for usage in all industrial, commercial and business applications.



55 E. 111th Street, Indianapolis, Indiana 46280  
 350 South Edgeware Road, St. Thomas, ON N5P 4L1  
 © 2012 Masco Corporation of Indiana

Delta reserves the right (1) to make changes in specifications and materials, and (2) to change or discontinue models, both without notice or obligation. Dimensions are for reference only. See current full-line price book or [www.specselect.com](http://www.specselect.com) for finish options and product availability.