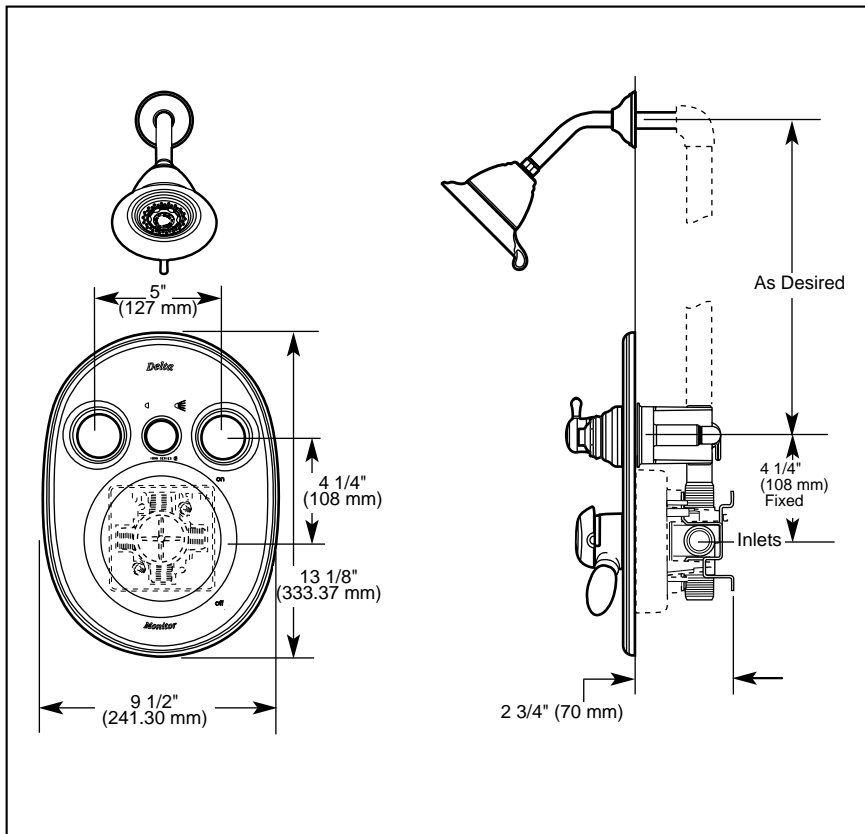


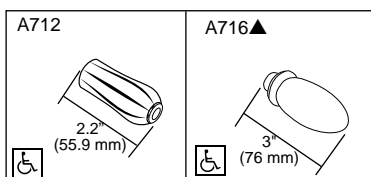
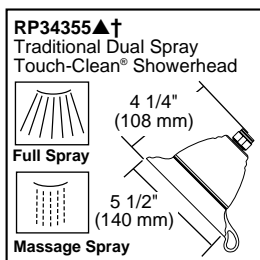
T18255

Submitted Model No.: \_\_\_\_\_

Specific Features: \_\_\_\_\_



▲ Designate proper finish suffix  
 † Designates the accent color on split finish models.



# TUB AND SHOWER JETTED SHOWER™ TRIM

- Victorian® Collection
- Shower Only

## STANDARD SPECIFICATIONS:

- Monitor® 18 Series pressure balanced bath mixing valve with Scald-Guard®.
- Maintains a balanced pressure of hot and cold water even when a valve is turned on or off elsewhere in the system.
- Must also order R18222 Jetted Shower XO™ or R18224 Jetted Shower™ rough valve body.
- Back to back installation capability.
- Lever volume control handle; temperature adjustment dial.
- Red and Blue graphics indicate hot/cold temperature adjustment.
- Field adjustable to limit handle rotation into hot water zone.
- All parts are replaceable from the front of the valve.
- Maximum dial rotation adjustable between 90° and 180°.
- Adjusts for up to 1" wall thickness.

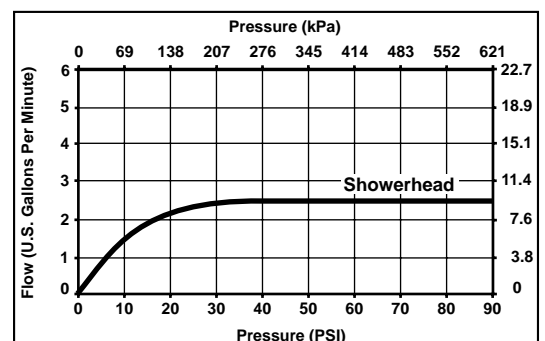
## WARRANTY

- Lifetime Faucet and Finish Limited Warranty to the original consumer purchaser to be free from defects in material and workmanship.
- 5 Year Limited Warranty for usage in all industrial, commercial and business applications.



## COMPLETE VALVE COMPLIES WITH:

- ASME A112.18.1 / CSA B125.1
- ASSE 1016
- ☑ Indicates ADA compliance to ICC/ANSI A117.1
- CSA Certified
- IAPMO Listed



Indianapolis, Indiana 46280  
 A Division of Masco Corporation of Indiana  
 © 2006 Masco Corporation of Indiana