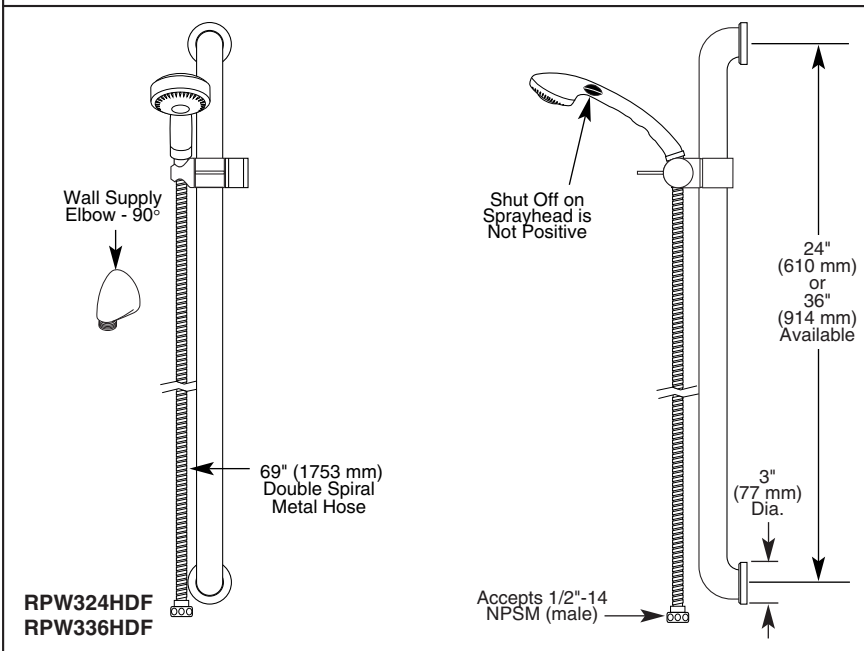
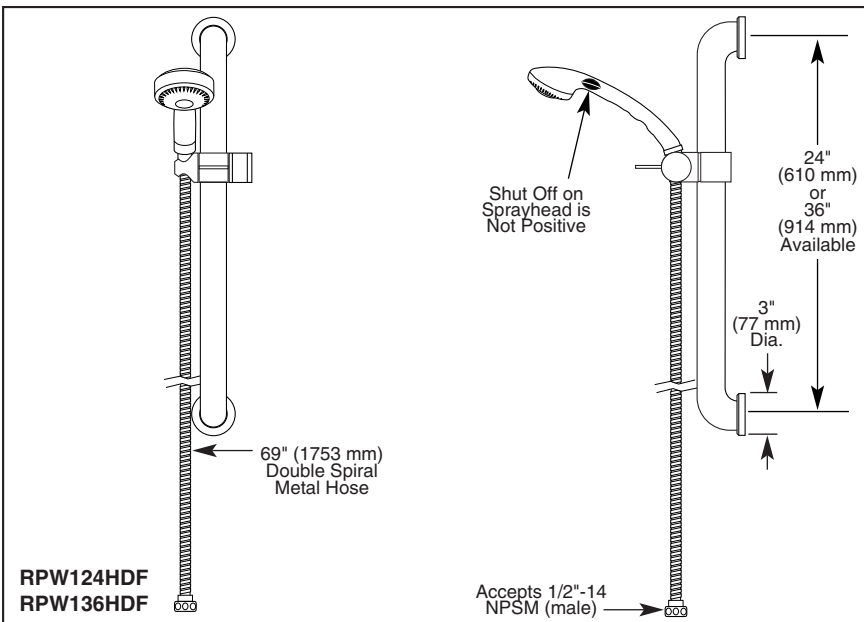


- 24" (610 mm) Slide/Grab Bar (RPW124HDF, RPW324HDF)
- 36" (914 mm) Slide/Grab Bars (RPW136HDF, RPW336HDF)
- 90° Wall Supply Elbow (RPW324HDF, RPW336HDF)

Submitted Model No.: \_\_\_\_\_

Specific Features: \_\_\_\_\_



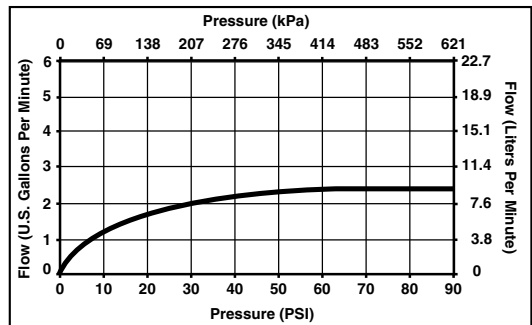
### STANDARD SPECIFICATIONS:

- Personal white ABS hand held shower with fixed spray with push button on-off control, not a positive shut-off.
- 69" (1753 mm) double spiral metal hose.
- 24" (610 mm) and 36" (914 mm) stainless steel finish slide/grab bars.
- ADA compliant adjustable slide mechanism.
- 90° chrome plated wall supply elbow, 1/2" IPS female inlet; 1/2"-14 NPSM male threaded outlet. (Models RPW324HDF and RPW336HDF only).
- 2.5 gpm @ 80 psi (9.5 L/min @ 552 kPa) from sprayhead.
- Back flow protection in handshower provided by two integral certified check valves in series, which operate independently.

### COMPLIES WITH:

ASME A112.18.3 and ASME A112.18.1 / CSA B125.1

Indicates ADA compliance to ICC/ANSI A117.1



Delta reserves the right (1) to make changes in specifications and materials, and (2) to change or discontinue models, both without notice or obligation. Dimensions are for reference only. See current full-line price book or [www.specselect.com](http://www.specselect.com) for finish options and product availability.

June 2009

### **TO WHOM IT MAY CONCERN**

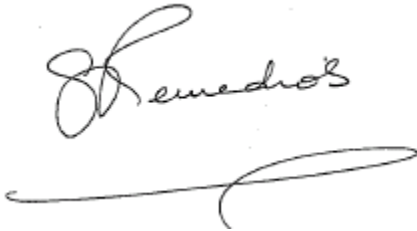
Delta Faucet Company handshowers are certified as being compliant to the national consensus standard ASME A112.18.1/CSAB125.1 for Plumbing Supply Fittings. This standard is referenced in many state/provincial and city codes as well as the International Plumbing Code, the Uniform Plumbing Code and the Canadian Plumbing code.

The backflow protection provided in these hand showers is by means of two check valves which individually meet the requirements of ASME A112.18.3 Performance Requirements for Backflow Protection Devices and Systems in Plumbing Fixture Fittings, which is referenced in ASME A112.18.1/CSA B125.1. These check valves are listed as being in compliance with the ASME A112.18.3 standard, which requires that two such devices are required for suitable backflow protection in a finished product.

With this type of backflow protection these handshowers can be used with any valve which may or may not have its own backflow protection system and do not rely on additional devices such as vacuum breakers to be installed with them as the protection is integral and cannot be removed.

If you require any additional information, please contact us.

Yours sincerely,



Sally Remedios,  
Manager, Product Compliance  
Ph: 317 587 1270  
Fax: 317 848 0750  
E-mail sar@deltafaucet.com