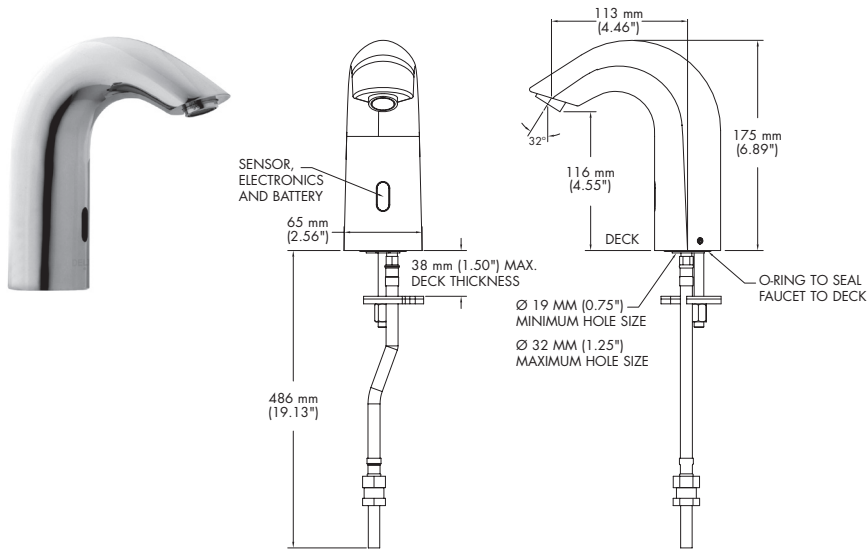
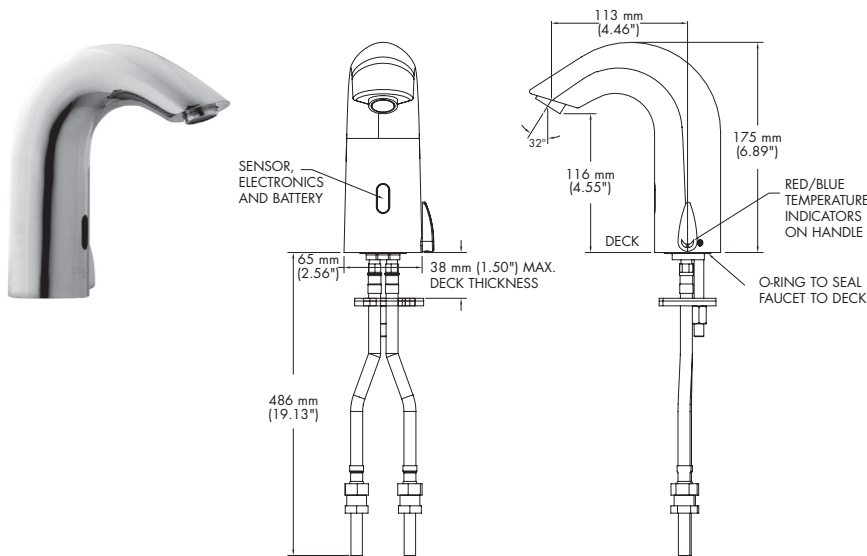


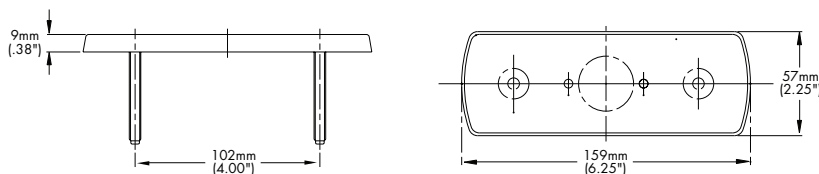
DEMD-101 (BATTERY OPERATED WITH NO MIX)



DEMD-111 (BATTERY OPERATED WITH USER MIX)



OPTIONAL 4" FORGED COVERPLATE - 060585A



SPECIFICATION: (example)

- Deck mount electronic lavatory faucet
- Sensor detects user's hand to activate water flow
- One 9V battery (included)
- Adjustable maximum run time and optional Remote Control below
- Above deck battery and electronics
- Red light indicator blinks when battery is low
- 0.5 USGPM (1.9 L/min) aerator

DEMD-101

- Electronic faucet for cold or pre-mixed water

DEMD-111

- Electronic faucet with mixer to adjust temperature

OPERATION

Sensing Range:

- Factory set to 8.6" (220 mm)
- Adjustable from 3.15" to 11.8" (80 mm to 300 mm) with optional remote control

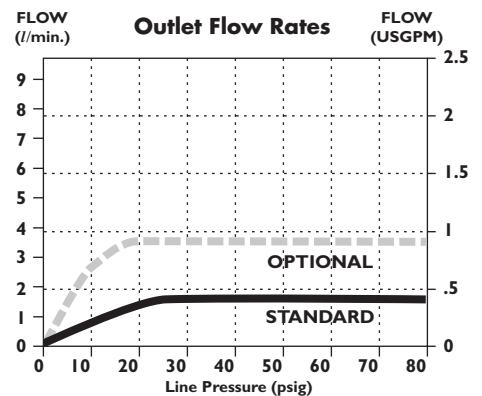
Maximum Run Time:

- 90 seconds, adjustable with remote control

Optional Accessories:

- 060967A
 - Remote Control
- 060585A
 - 4" forged coverplate
- 060961A
 - 1.0 USGPM (3.8 L/min) aerator

FLOW RATE vs PRESSURE



Approvals:

- ADA Compliant and meets Handicapped Accessibility Standard ASME A117.1 of less than 5 lbs. handle operating force.

Note: Measurements may vary ± 6mm (0.25")