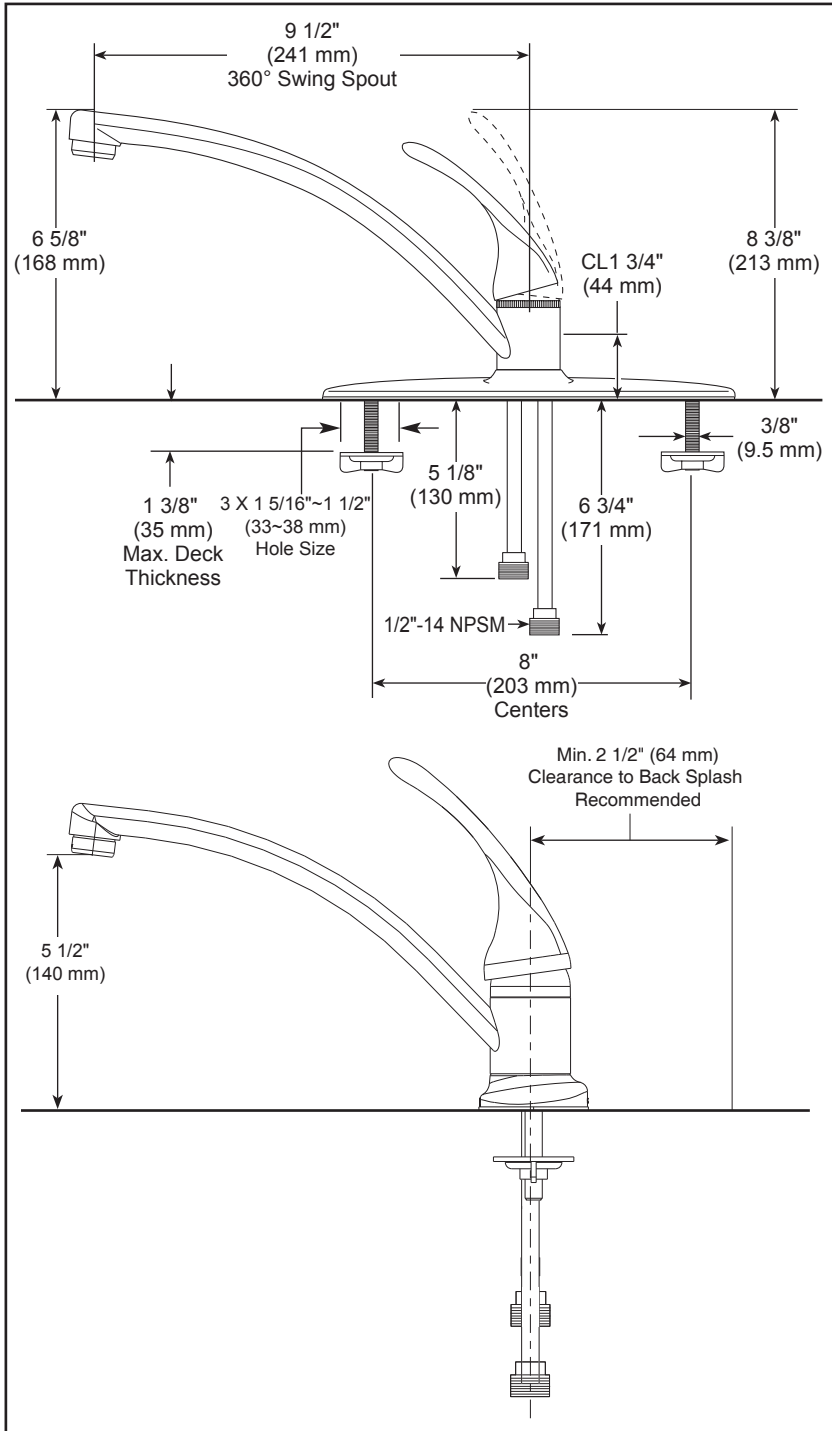


B1310LF

Submitted Model No.: _____

Specific Features: _____



KITCHEN FAUCETS

- Single Handle Deck Mount
- 3 Hole Sink Applications
- 8" Centerset

STANDARD SPECIFICATIONS

- 8" (203 mm) centerset.
- 9 1/2" (241 mm) long, 6 5/8" (168 mm) high spout swings 360°.
- All operating parts shall be replaceable from the top.
- 1/2" -14 NPSM threaded male inlet adapters.
- Lever handle. Control mechanism is the rotating stainless steel ball type with replaceable non-metallic seats.
- Control handle shall return to neutral position when valve is turned off.

WARRANTY

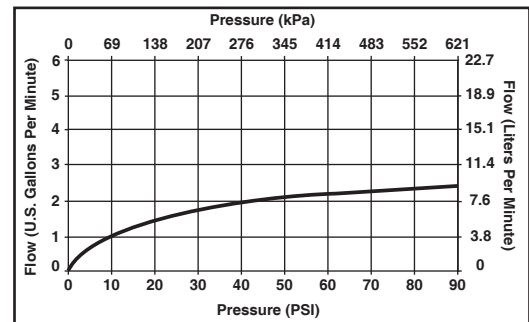
- Lifetime Faucet and Finish Limited Warranty to the Original consumer purchaser to be free from defects in material and workmanship.
- 5 Year Limited Warranty for usage in all Industrial, Commercial and business applications.



COMPLIES WITH

- ASME A112.18.1 / CSA B125.1
- Indicates compliance to ICC / ANSI A117.1
- CSA Certified

Verified compliant with 0.25% weighted average Pb content regulations.



55 E. 111th Street, Indianapolis, Indiana 46280
 395 Matheson Blvd. E., Mississauga, ON L4Z 2H2
 © 2010 Masco Corporation of Indiana

Delta reserves the right (1) to make changes in specifications and materials, and (2) to change or discontinue models, both without notice or obligation. Dimensions are for reference only. See full-line price book or www.specselect.com for finish options and product availability.