

SPECIFICATION: (example)

- **HEAVY-DUTY CAST BRASS**
- single hole mount faucet
- Polished chrome plated finish
- Vandal Resistant Brass Handle activator
- Delta® metering slow close cartridge
- Two Body mounted stainless steel Anti-Rotation locking pins
- Vandal resistant spout outlet
- **Total flow not to exceed 0.25 gallon per handle activation**



87T104 With Push Button

87T105 With Lever Handle
ADA compliant requires less than 5 lbs. operating force



SPECIFICATION: (example)

- **HEAVY-DUTY CAST BRASS**
- single hole mount faucet
- Polished chrome plated finish
- Vandal Resistant Brass Handle activator
- Delta® metering slow close cartridge
- Two Body mounted stainless steel Anti-Rotation locking pins
- Mixing tee and inlet checks
- Vandal resistant spout outlet
- **Total flow not to exceed 0.25 gallon per handle activation**

87T110 With Push Button

87T111 With Lever Handle
ADA compliant requires less than 5 lbs. operating force



SPECIFICATION: (example)

86T1104

- Single hole mount faucet
- Polished chrome plated finish
- Vandal Resistant brass push button
- Delta® metering slow close cartridge
- Vandal resistant spout outlet
- **Total flow not to exceed 0.25 gallon per handle activation**

86T0104

- Same as 86T1104 but with (87T151) 4" cast brass, polished chrome plated coverplate

COVERPLATE

SPECIFICATION: (example)

- 87T151** with center faucet hole, two holdown shanks
- **HEAVY DUTY FORGED CAST BRASS**
- 102mm (4") center
- Polished chrome plated finish
- With locating holes for 87T104, 87T105, 87T110 and 87T111 metering faucets with anti-rotation locking pins
- **For secure Public Washroom Faucet/Fixture Installations**



Engineer/Architect Approval

Model Specified:

Approval:

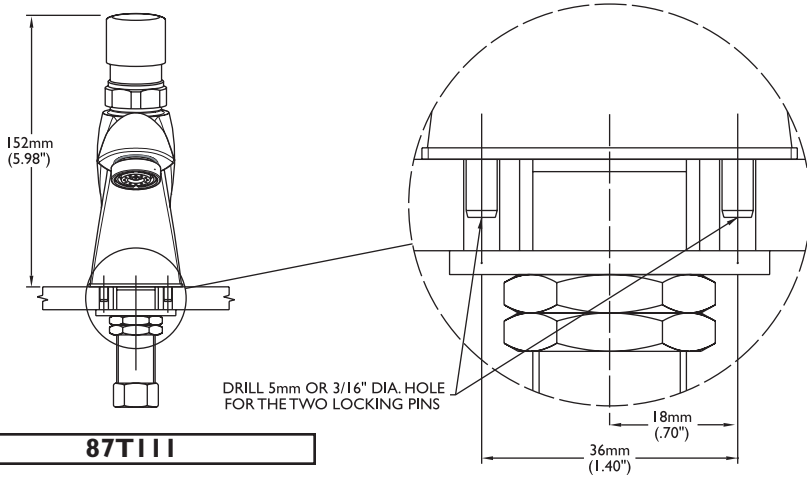
Date:

Approvals:

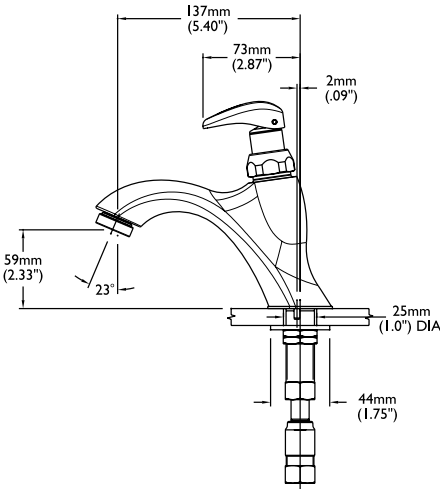
- CSA certified
- Complies to ASME A112.18.1
- Lever Handle ADA Compliant and meets Handicapped Accessibility Standard ASME A117.1 of less than 5 lbs. operating force.
- IAPMO listed

(Contact Delta Representative for State and/or Local Approvals.)

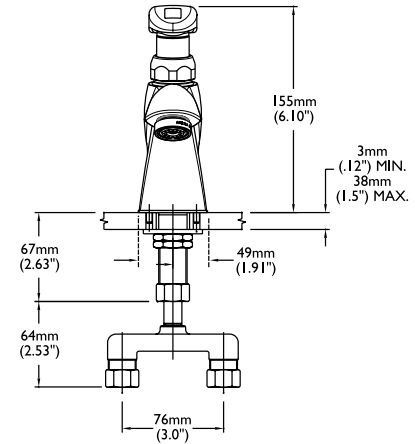
87TI04 - 87T111 - LOCKING PINS



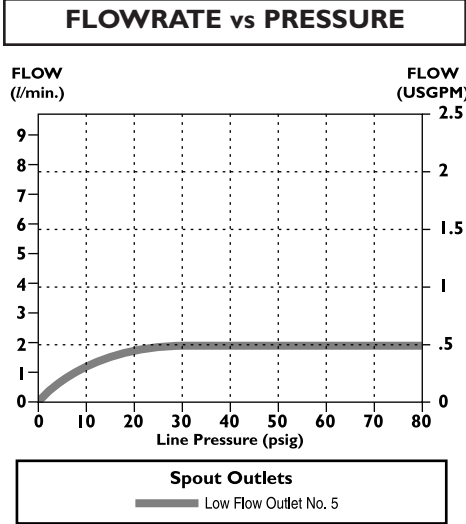
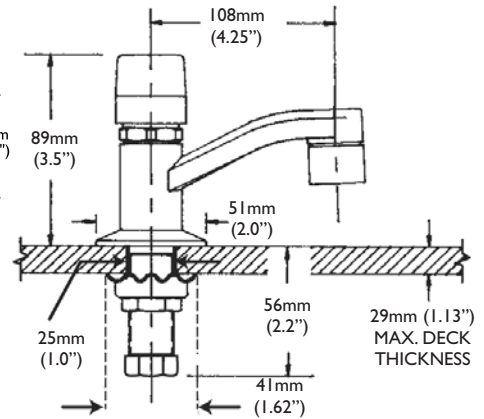
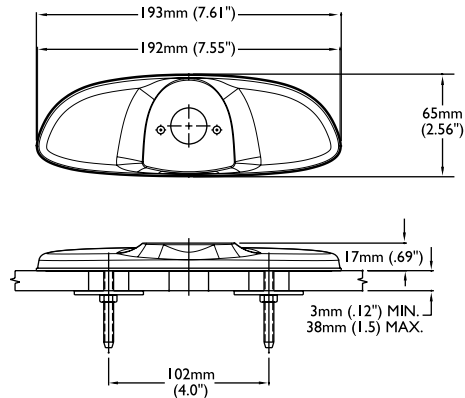
87T111



87T151



86T1104



INLETS - 1/2" MIP/Coupling Nuts
 Note: Measurements may vary \pm 6mm (0.25")

Refer to www.specselectonline for individual models.

Note: Use this page front and back as a product submittal sheet.

Mixing Metering Handwash Faucet

TECK®



Specification: (example)

- **HEAVY-DUTY CAST BRASS**
- Two handle mixing metering faucet
- Vandal resistant handle actuator
- Vandal resistant spout outlet
- Polished chrome plated finish
- Delta® metering slow close cartridge
- **Total flow not to exceed 0.25 gallon per handle activation**

and ...
with ... (add product variation required)
with ... (add handle required)



86T1153



86T1350

Engineer/Architect Approval







Model Specified:

Approval:

Date:

DESCRIPTION	PRODUCT NO.			
Mixing Metering Handwash Faucet	86T1		5	



PRODUCT VARIATION	OUTLET	HANDLE
0 102mm (4") Centerset with Open Grid Strainer  <input type="checkbox"/>	0 <input type="checkbox"/>	0 Vandal Resistant Push Button (For Product Variation No. 3 Only)  <input type="checkbox"/>
1 102mm (4") Centerset less Pop-up  <input type="checkbox"/>	1 <input type="checkbox"/>	1 <input type="checkbox"/>
2 <input type="checkbox"/>	2 <input type="checkbox"/>	2 <input type="checkbox"/>
3 Widespread Faucet, Cast Spout, less Pop-up  <input type="checkbox"/>	3 <input type="checkbox"/>	3 Vandal Resistant ADA Lever Handle (For Product Variation No's 0, & 1 Only)  <input type="checkbox"/>
4 <input type="checkbox"/>	4 <input type="checkbox"/>	4 <input type="checkbox"/>
5 <input type="checkbox"/>	5 Vandal Resistant 0.5 USGPM (1.9 L/min) Flow Control Non- Aerating Spray Outlet  <input checked="" type="checkbox"/>	5 <input type="checkbox"/>
6 <input type="checkbox"/>	6 <input type="checkbox"/>	6 <input type="checkbox"/>
7 <input type="checkbox"/>	7 <input type="checkbox"/>	7 <input type="checkbox"/>
8 <input type="checkbox"/>	8 <input type="checkbox"/>	8 <input type="checkbox"/>
9 <input type="checkbox"/>	9 <input type="checkbox"/>	9 <input type="checkbox"/>

Refer to www.specselectonline for individual models.

Flowrates are at 60 PSI.
Note: Use this page front and back as a product submittal sheet.

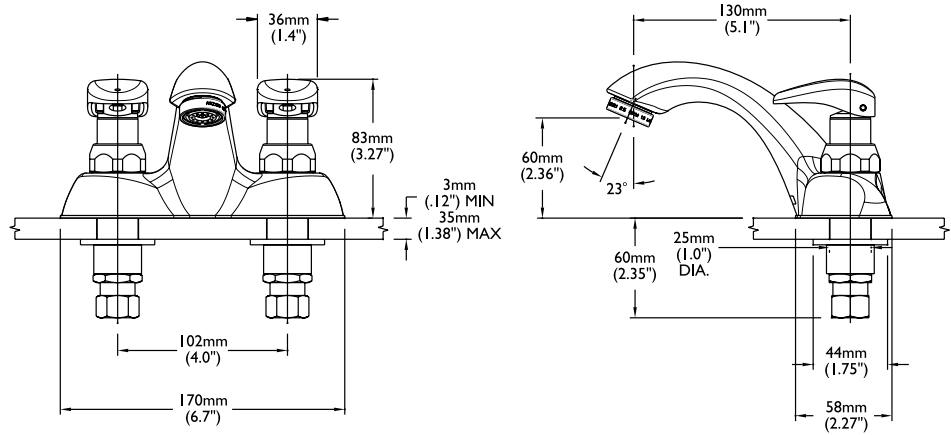
See current price list for product availability.

Approvals:

- CSA certified
- Complies to ASME Standard A112.18.1
- Lever Handle No. 3 ADA Compliant and meets Handicapped Accessibility Standard ASME A117.1 of less than 5 lbs. operating force.
- IAPMO listed

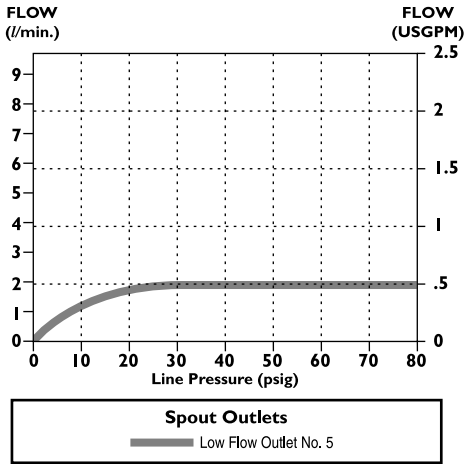
(Contact Delta Representative for State and/or Local Approvals.)

86TI153

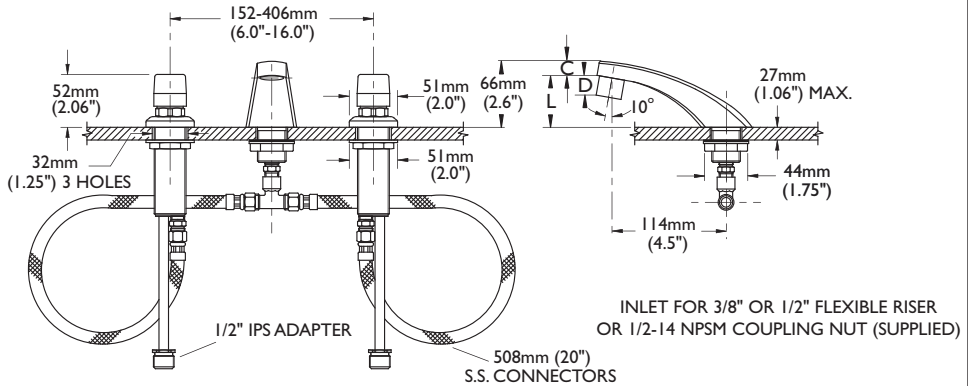


INLET FOR 3/8" OR 1/2" FLEXIBLE RISER OR 1/2-14 NPSM COUPLING NUT (SUPPLIED)

FLOWRATE vs PRESSURE

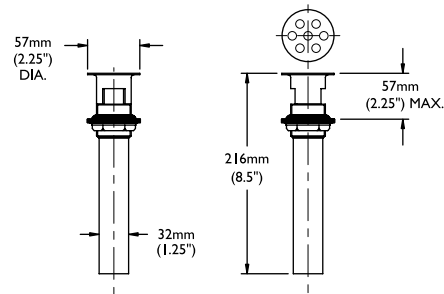


86TI350



INLET FOR 3/8" OR 1/2" FLEXIBLE RISER OR 1/2-14 NPSM COUPLING NUT (SUPPLIED)

OPEN GRID STRAINER (supplied with Product Variation 0)



CAST SPOUT OUTLET NO.	"D"	
	mm	in.
5	11	0.45

Use of check valves or check stops is recommended to prevent possible cross-flow.

SPOUT ASSEMBLIES

SPOUT TYPE	DIMENSIONS	"A"		"C"		"L"	
		mm	in.	mm	in.	mm	in.
Cast Spout		114	4.5	15	0.6	51	2

Note: Measurements may vary ± 6mm (0.25")

Refer to www.specselectonline for individual models.

Note: Use this page front and back as a product submittal sheet.