

Mixing Metering Handwash Faucet

TECK®



Specification: (example)

- **HEAVY-DUTY CAST BRASS**
- Two handle mixing metering faucet
- Vandal resistant handle actuator
- Vandal resistant spout outlet
- Polished chrome plated finish
- Delta® metering slow close cartridge
- **Total flow not to exceed 0.25 gallon per handle activation**

and ...

with ... (add product variation required)

with ... (add handle required)



86T1153



86T1350

Engineer/Architect Approval







Model Specified:

Approval:

Date:

DESCRIPTION	PRODUCT NO.			
Mixing Metering Handwash Faucet	86T1		5	



PRODUCT VARIATION	OUTLET	HANDLE
0 102mm (4") Centerset with Open Grid Strainer  <input type="checkbox"/>	0 <input type="checkbox"/>	0 Vandal Resistant Push Button (For Product Variation No. 3 Only)  <input type="checkbox"/>
1 102mm (4") Centerset less Pop-up  <input type="checkbox"/>	1 <input type="checkbox"/>	1 <input type="checkbox"/>
2 <input type="checkbox"/>	2 <input type="checkbox"/>	2 <input type="checkbox"/>
3 Widespread Faucet, Cast Spout, less Pop-up  <input type="checkbox"/>	3 <input type="checkbox"/>	3 Vandal Resistant ADA Lever Handle (For Product Variation No's 0, & 1 Only)  <input type="checkbox"/>
4 <input type="checkbox"/>	4 <input type="checkbox"/>	4 <input type="checkbox"/>
5 <input type="checkbox"/>	5 Vandal Resistant 0.5 USGPM (1.9 L/min) Flow Control Non-Aerating Spray Outlet  <input checked="" type="checkbox"/>	5 <input type="checkbox"/>
6 <input type="checkbox"/>	6 <input type="checkbox"/>	6 <input type="checkbox"/>
7 <input type="checkbox"/>	7 <input type="checkbox"/>	7 <input type="checkbox"/>
8 <input type="checkbox"/>	8 <input type="checkbox"/>	8 <input type="checkbox"/>
9 <input type="checkbox"/>	9 <input type="checkbox"/>	9 <input type="checkbox"/>

Refer to www.specselectonline for individual models.

Flowrates are at 60 PSI. Note: Use this page front and back as a product submittal sheet.

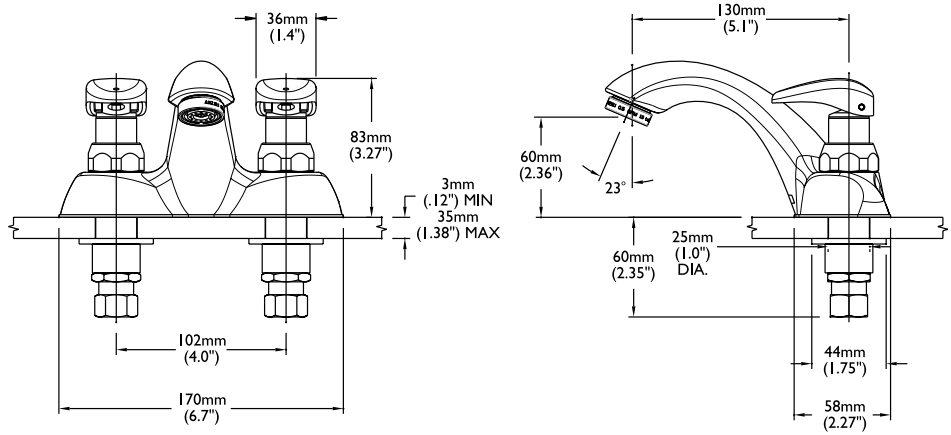
See current price list for product availability.

Approvals:

- CSA certified
- Complies to ASME Standard A112.18.1
- Lever Handle No. 3 ADA Compliant and meets Handicapped Accessibility Standard ASME A117.1 of less than 5 lbs. operating force.
- IAPMO listed

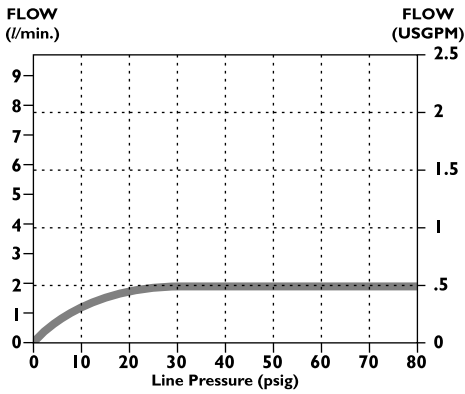
(Contact Delta Representative for State and/or Local Approvals.)

86TI153

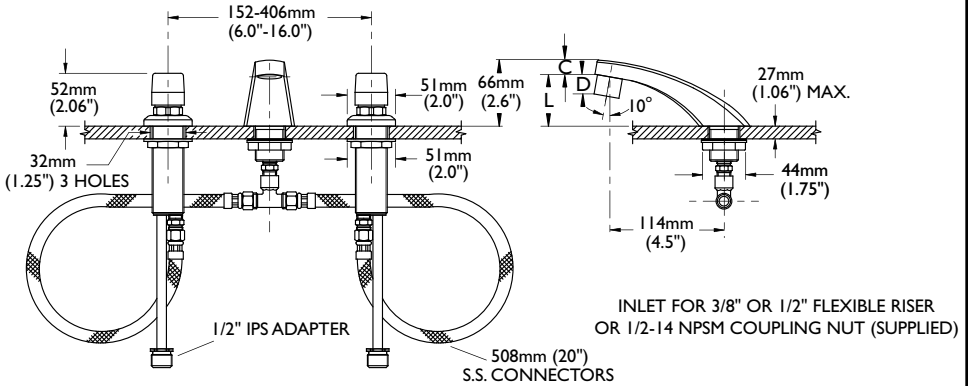


INLET FOR 3/8" OR 1/2" FLEXIBLE RISER OR 1/2-14 NPSM COUPLING NUT (SUPPLIED)

FLOWRATE vs PRESSURE

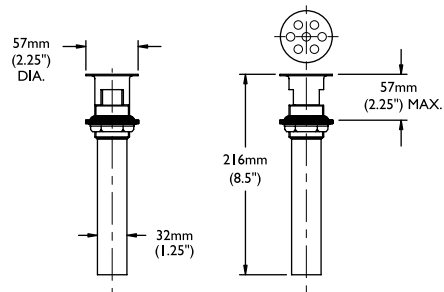


86TI350



INLET FOR 3/8" OR 1/2" FLEXIBLE RISER OR 1/2-14 NPSM COUPLING NUT (SUPPLIED)

OPEN GRID STRAINER (supplied with Product Variation 0)



CAST SPOUT OUTLET NO.	"D"	
	mm	in.
5	11	0.45

Use of check valves or check stops is recommended to prevent possible cross-flow.

SPOUT ASSEMBLIES

SPOUT TYPE	DIMENSIONS	"A"		"C"		"L"	
		mm	in.	mm	in.	mm	in.
Cast Spout		114	4.5	15	0.6	51	2

Note: Measurements may vary ± 6mm (0.25")

Refer to www.specselectonline for individual models.

Note: Use this page front and back as a product submittal sheet.