

Electronic Exposed TECK® Flush Valves

**TECK®
COMMERCIAL**



81T231-WMSBT - Exposed Battery Operated 3/4" Top Inlet Urinal Fixture

- Polished chrome plated vandal resistant metal cover with 4" wallmount sensor
- Right or left-hand supply installation
- ADA compliant, automatic operation battery powered H₂O PISTICS technology infrared sensor
- Four (4) 'C' cell batteries
- Low battery level indicator (5000 flushes remaining)
- Infrared sensor range adjustment of 305mm-711mm (12" - 28"), in 4" increments, factory set at 20" (±2")
- Vandal resistant copper tube conduit
- Adjustable 24 hour courtesy flush factory set to on
- 6 VDC input
- Electronic manual override button
- Quiet action, TECK® exposed diaphragm flush valve
- Chloramine resistant diaphragm
- Forged brass diaphragm retainer
- Renewable seat
- Polished chrome plated finish
- **External water conserving flush adjustment**, factory set at 60 PSI to 1.9 litre (0.50 US gal.)
- **1" FIP / 3/4" copper sweat inlet adaptor**, angle check stop with protecting cap
- Adjustable 121mm (4-3/4") plus or minus 11mm (7/16") inlet/valve outlet centers
- Vacuum breaker
- Cover tube, stainless steel wall flange, spud flange, spud nut, and 330mm (13") outlet tube.

81T231-38-WMSBT

Same as 81T231-WMSBT,
but set at 60 PSI to 3.8 litre (1.0 US gal),
Not Field Adjustable

81T231-19-WMSBT

Same as 81T231-WMSBT,
Not Field Adjustable

81T231-05-WMSBT

Same as 81T231-WMSBT,
but set at 60 PSI to 0.5 litre
(0.13 US gal),
Not Field Adjustable

Approvals:

- CSA certified
- Complies to ASSE 1037
- ADA Compliant and meets Handicapped Accessibility Standard ASME A117.1 of less than 5 lbs. operating force.
- IAPMO listed

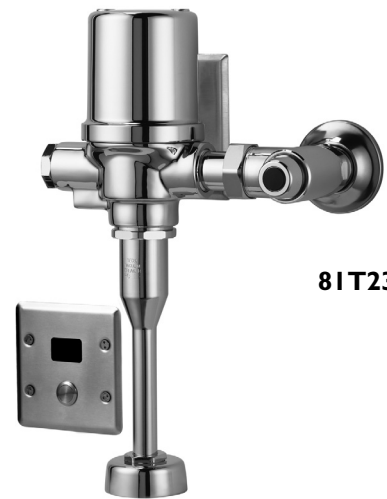
(Contact Delta Representative for State and/or Local Approvals.)

Engineer/Architect Approval

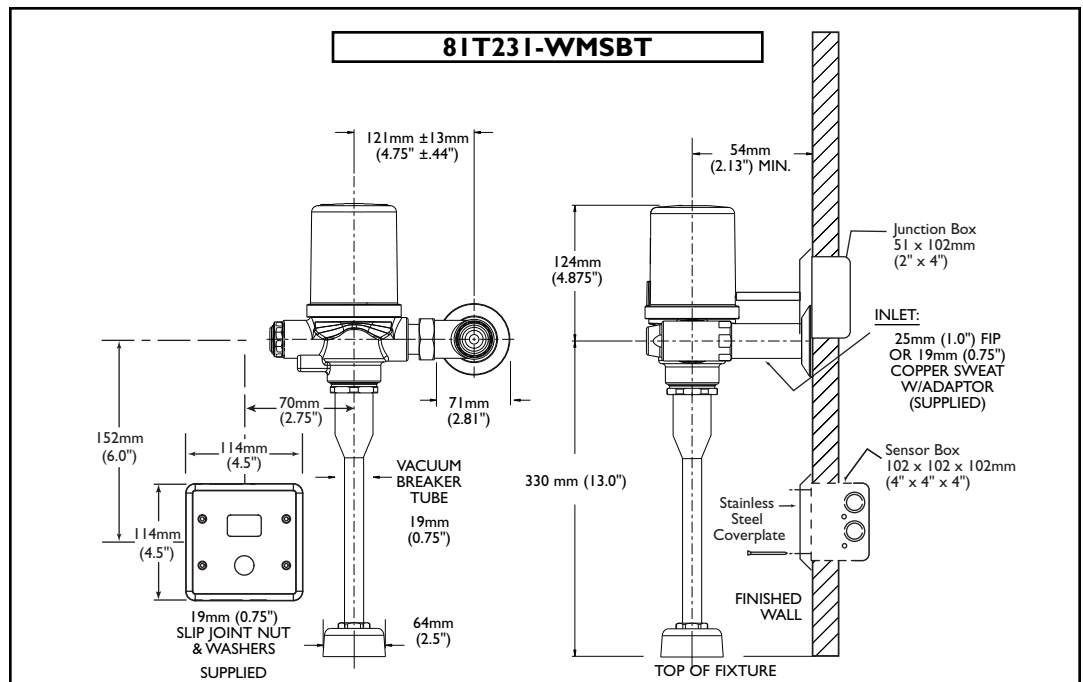
Model Specified:

Approval:

Date:



81T231-WMSBT



Note: Measurements may vary ± 6mm (0.25")

Note: For high and low pressure applications, please see page FEA-81T High Water Pressure note for more details. Verify flow requirements with bowl manufacturer.

Refer to www.specselect.com for individual models.

Note: Use this page as a product submittal sheet.