

# Exposed Teck® Flush Valves

**TECK®  
COMMERCIAL**

**DELTA®**

**Specification: (example)**

**(FOR TOP INLET URINAL FIXTURE)**

- Quiet action, TECK® exposed diaphragm flush valve
- Chloramine resistant diaphragm
- Forged brass diaphragm retainer
- Renewable seat
- Polished chrome plated finish
- **External water conserving flush volume adjustment**, factory set at 60 PSI to 1.9 litre (0.50 US gal.)
- Vandal resistant cover screw
- Metal "non hold open" handle
- **1" FIP/3/4" copper sweat inlet adaptor** angle check stop with protecting cap
- Adjustable 121mm (4-3/4") plus or minus 11mm (7/16") inlet/valve outlet centers
- Vacuum breaker
- Cover tube and SIS wall flange, spud flange and spud nut

**FOR 3/4" TOP INLET URINAL FIXTURE**

☐ **81T231**

As above

☐ **81T231-38**

Same as 81T231, but set at 60 PSI to 3.8 litre (1.0 US gal.), **Not field adjustable.**

☐ **81T231-19**

Same as 81T231, **Not field adjustable.**

☐ **81T231-05**

Same as 81T231, but set at 60 PSI to 0.5 litre (0.13 US gal.), **Not field adjustable.**

**FOR 1-1/4" TOP INLET URINAL FIXTURE (with 1" copper inlet adaptor)**

☐ **81T291**

As above


**OPTIONS AVAILABLE (for Field Conversion):**

☐ **060253A**

3/4" x 19-1/2" VB Tube (for 81T231)

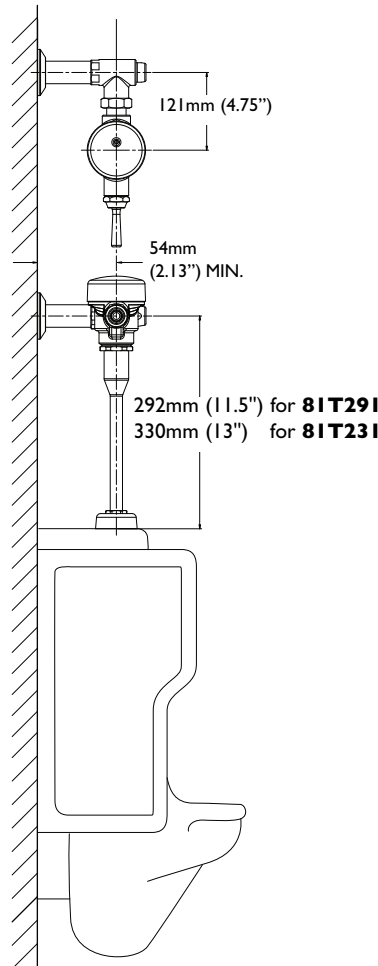


**Approvals:**

- CSA certified
  - Complies to ASSE 1037
  - ADA compliant and meets Handicapped Accessibility Standard ASME A117.1 of less than 5 lbs. operating force. 
  - IAPMO Listed
- (Contact Delta Representative for State and/or Local Approvals.)



**81T231**



**Engineer/Architect Approval**

Model Specified: \_\_\_\_\_

Approval: \_\_\_\_\_ Date: \_\_\_\_\_

Note: For high and low pressure applications, please see page FEA-81T High Water Pressure note for more details. Verify flow requirements with bowl manufacturer.

Note: Measurements may vary ± 6mm (0.25")