



## Flush Valves

Flush valve for 3/4" top spud flushing urinal-maximum 13" height (c/l of inlet to top of urinal)

### Model No: 81T231

#### COMPLIES WITH:

- CSA certified.
- Complies to ASSE 1037
- ADA compliant and meets Handicapped Accessibility Standard ASME A117.1 of less than 5 lbs operating force
- (Contact Delta Representative for State and/or Local Approvals)



#### NOTES:

To convert 81T231 Flush Valves to Electronic, see 81T231-20BT (battery operated) or 81T231-20HW (hard wire)

For complete listing of Electronic Flush Valve models, see Electronic Flush Valves & Retrofit Kits

#### SPECIFICATION:

- Quiet action, Teck® exposed diaphragm flush valve
- Polished chrome plated finish
- Vandal resistant cover screw
- Metal "non hold open" ADA Compliant oscillating handle
- Vacuum breaker
- Renewable seat
- Chloramine resistant diaphragm attached to guide with forged metal retainer.
- Spud flange and concealed spud nut
- For flushing urinals with 3/4" top spud
- Maximum 330mm (13") from centerline of valve inlet to top of urinal
- 1" FIP/3/4" Copper sweat inlet adaptor for angle check stop with protecting cap
- Adjustable 121mm (4.75") plus or minus 11mm (7/16") inlet/valve outlet centers
- Cover tube and S/S wall flange
- External water conserving flush adjustment: 1.9 Litre (0.5 US GAL.) Factory Set Flush at 60 psi - FIELD ADJUSTABLE from 0.47 to 3.78 Litre Flush (1/8 to 1.0 US GAL.)

#### OPERATION:

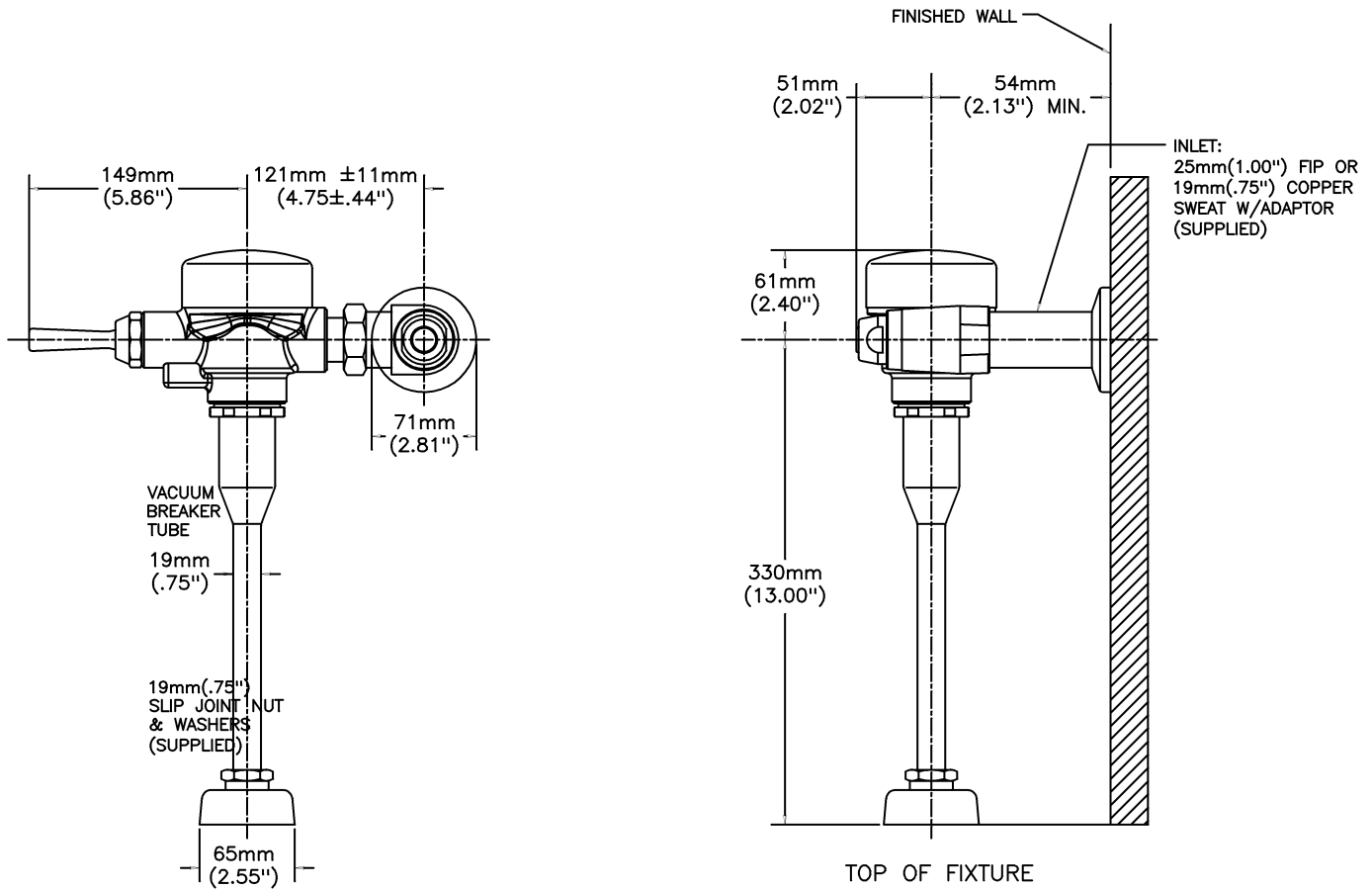
- Adjustable flush volume using adjustment screw on flush valve

***(Dimensional drawing on following page)***

Delta reserves the right (1) to make changes to specifications and materials, and (2) to change or discontinue models, both without notice or obligation. Dimensions are for reference. Measurement may vary plus or minus 6mm (0.25"). Mounting locations are suggested only. Check with local codes for requirements in your area. This spec was produced February 27, 2012.

Delta Faucet Company - 55 East 111th St. - Indianapolis, Indiana, USA 46280 - (317) 848-1812  
Delta Faucet Canada - 395 Matheson Blvd E - Mississauga, Ontario, Canada L4Z 2H2 - (905) 712-3030

Teck® flushometer valves are designed to operate at any supply pressure between 10 psi and 125 psi in accordance with CSA B125. The Teck® flush valve delivers the industry's highest peak flows to enhance bowl scrubbing. At high water pressures, splash out, noise or reduced life of plumbing components may be observed with a few models of water closet or urinal fixtures. To minimize or eliminate these effects, select a different model of water closet or urinal from the same or another manufacturer, or install a pressure reducing valve. If the installation does not allow for either of these options, the control stop adjusting screw may be used to reduce pressure to the valve.



Delta reserves the right (1) to make changes to specifications and materials, and (2) to change or discontinue models, both without notice or obligation. Dimensions are for reference. Measurement may vary plus or minus 6mm(0.25"). Mounting locations are suggested only. Check with local codes for requirements in your area. This spec was produced February 27, 2012.