



Flush Valves

Flush valve for 3/4" top spud flushing UR with tail to fit Sloan®/Zurn® stop-maximum 13" height (c/l of inlet to top of urinal)

Model No: 81T231-30-38

COMPLIES WITH:

- CSA certified.
- Complies to ASSE 1037
- IAPMO listed
- ADA compliant and meets Handicapped Accessibility Standard ASME A117.1 of less than 5 lbs operating force
- (Contact Delta Representative for State and/or Local Approvals)



NOTES:

To convert Sloan®/Zurn® 3/4" Top Inlet Urinal Flush Valves to Electronic, see 81T231-30BT (battery operated) or 81T231-30HW (hard wire)

For complete listing of Electronic Flush Valve models, see Electronic Flush Valves & Retrofit Kits

SPECIFICATION:

- Quiet action, Teck® exposed diaphragm flush valve
- Polished chrome plated finish
- Vandal resistant cover screw
- Metal "non hold open" ADA Compliant oscillating handle
- Vacuum breaker
- Renewable seat
- Chloramine resistant diaphragm attached to guide with forged metal retainer.
- Spud flange and concealed spud nut
- For flushing urinals with 3/4" top spud
- With tail to fit Sloan®/Zurn® stop
- Adjustable 114mm (4.5") to 131mm (5.18") inlet/valve outlet centers
- Maximum 330mm (13") from centerline of valve inlet to top of urinal
- 3.8L (1.0 US Gal.) Factory Set flush at 60 psi - NOT FIELD ADJUSTABLE

OPERATION:

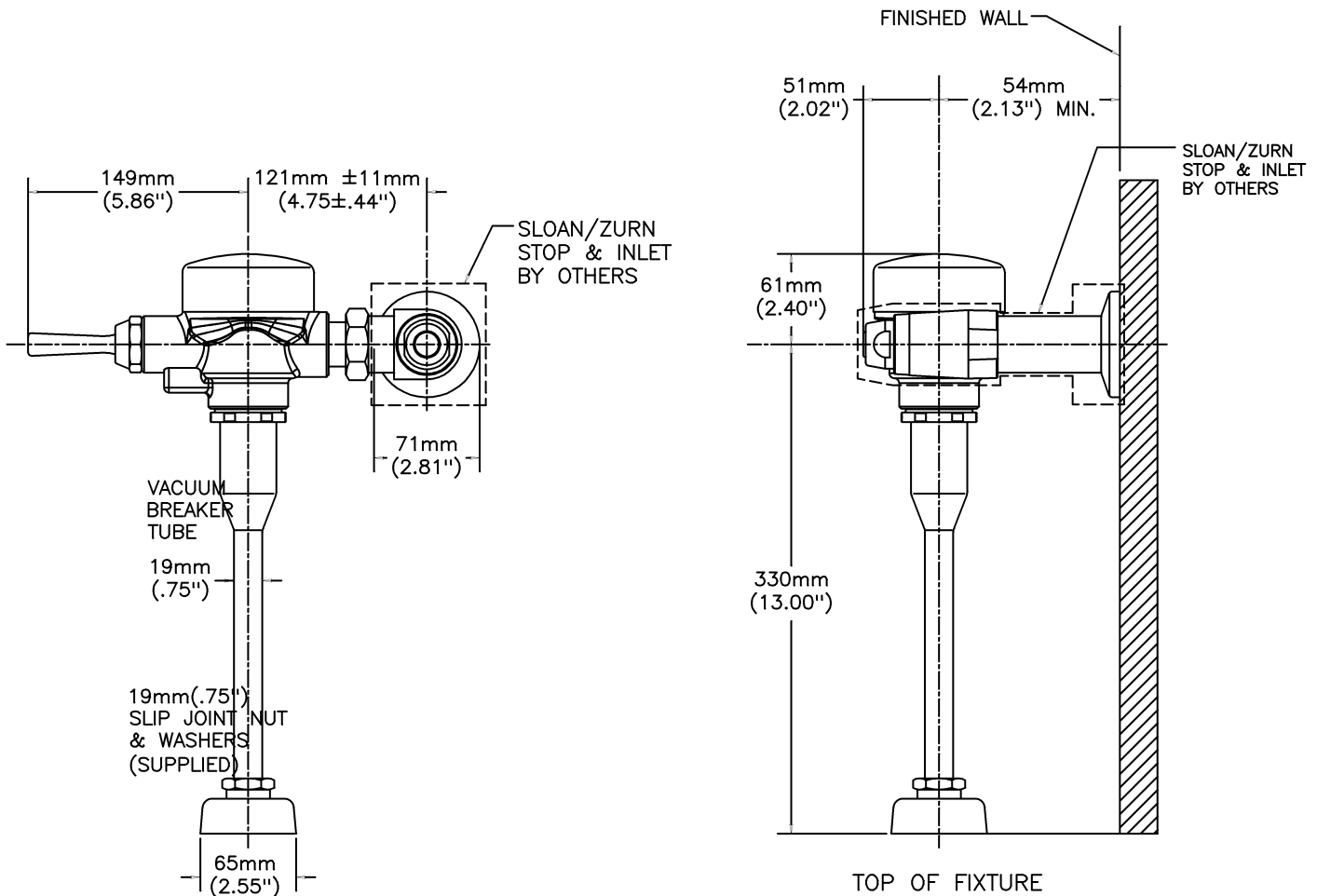
- Not Available

(Dimensional drawing on following page)

Delta reserves the right (1) to make changes to specifications and materials, and (2) to change or discontinue models, both without notice or obligation. Dimensions are for reference. Measurement may vary plus or minus 6mm(0.25"). Mounting locations are suggested only. Check with local codes for requirements in your area. This spec was produced November 03, 2011.

Delta Faucet Company - 55 East 111th St. - Indianapolis, Indiana, USA 46280 - (317) 848-1812
Delta Faucet Canada - 395 Matheson Blvd E - Mississauga, Ontario, Canada L4Z 2H2 - (905) 712-3030

Teck® flushometer valves are designed to operate at any supply pressure between 10 psi and 125 psi in accordance with CSA B125. The Teck® flush valve delivers the industry's highest peak flows to enhance bowl scrubbing. At high water pressures, splash out, noise or reduced life of plumbing components may be observed with a few models of water closet or urinal fixtures. To minimize or eliminate these effects, select a different model of water closet or urinal from the same or another manufacturer, or install a pressure reducing valve. If the installation does not allow for either of these options, the control stop adjusting screw may be used to reduce pressure to the valve.



Delta reserves the right (1) to make changes to specifications and materials, and (2) to change or discontinue models, both without notice or obligation. Dimensions are for reference. Measurement may vary plus or minus 6mm(0.25"). Mounting locations are suggested only. Check with local codes for requirements in your area. This spec was produced November 03, 2011.