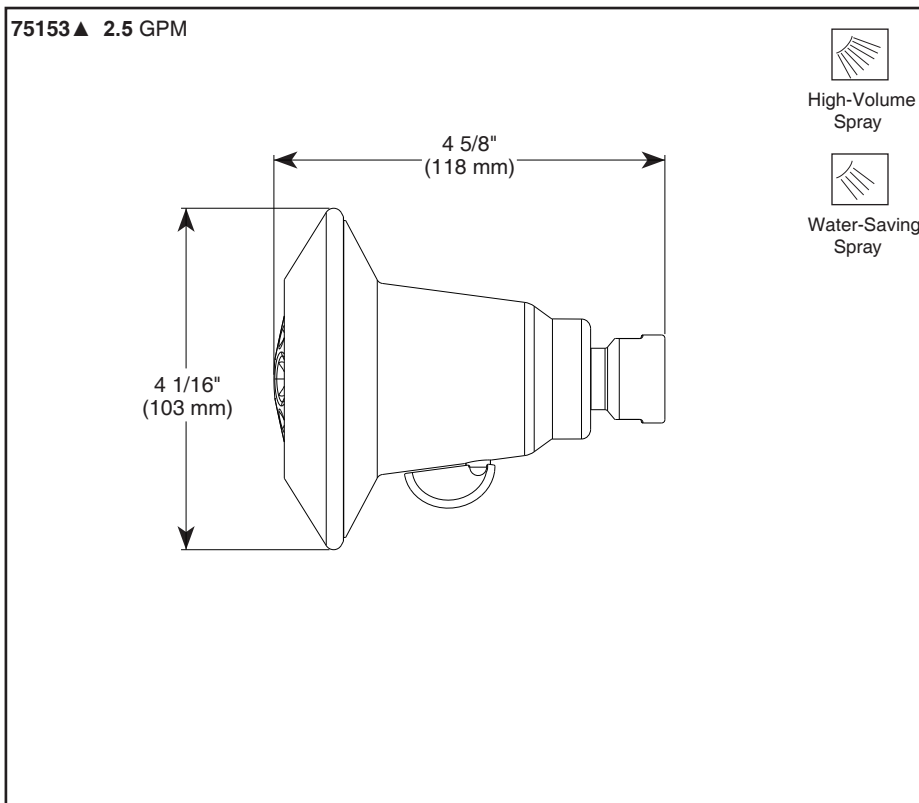


75152▲

Submitted Model No.: _____

Specific Features: _____



▲ Designate proper finish suffix



SHOWERHEAD

- Adjustable Water-Amplifying® showerhead
- H2Okinetic® Technology showerhead
- Dual setting

STANDARD SPECIFICATIONS:

- Standard 1/2" pipe fitting.
- Delivers volume enhance shower yet uses 26% less water.
- Water and energy saving shower head; operates at 2.5/1.85 gallons per minute.
- Spray holes never need cleaning.
- Maximum water consumption 2.5 gpm (9.5 L/min) @ 80 psi.
- Actual water consumption 1.75 gpm (6.6 L/min) @ 45 psi.
- For use with automatic compensating valves rated at 1.0 gpm (3.8 L/min) or less.

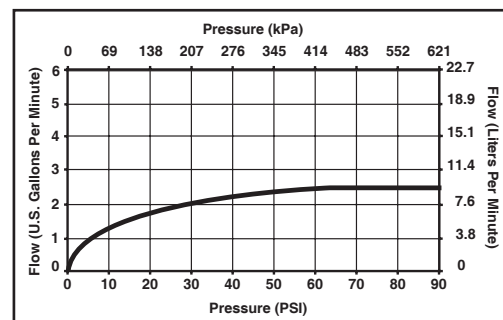
WARRANTY

- Lifetime limited warranty on parts (other than electronic parts and batteries) and finishes; or for commercial users, for 5 years from the date of purchase.
- 5 year limited warranty on electronic parts (other than batteries); or for commercial users, for 1 year from the date of purchase. No warranty is provided on batteries.



COMPLIES WITH

- ASME A112.18.1/CSA B125.1



55 E. 111th Street, Indianapolis, Indiana 46280
 350 South Edgeware Road, St. Thomas, Ontario Canada N5P 4L1
 © 2013 Masco Corporation of Indiana

Delta reserves the right (1) to make changes in specifications and materials, and (2) to change or discontinue models, both without notice or obligation. Dimensions are for reference only. See current full-line price book or www.specselect.com for finish options and product availability.