



Electronic Faucets

Battery Operated - 4" Lavatory - Cast Brass one-piece body with integral waterproof sensor and connector

Model No: 591T1228

COMPLIES WITH:

- For optimum performance of this product, we recommend a system pressure between 20 and 80 PSI static. This product will operate up to a maximum of 125 PSI static per ANSI and CSA requirements. However, we do not recommend pressures above 80 PSI. Thermal expansion or leaking pressure reducing valves may require use of expansion tanks or relief valves to ensure your system never exceeds its maximum intended pressure setting.
- CSA certified.
- Complies to ASME A112.18.1
- IAPMO listed
- ADA compliant and meets Handicapped Accessibility Standard ASME A117.1 of less than 5 lbs. handle operating force
- U.S.Patent # 6, 826, 455
- (Contact Delta Representative for State and/or Local Approvals)
- Control Box option 8 Thermostatic Mixing Valve CSA certified and meets ASSE 1016, 1017, 1070



NOTES:

For Additional Hi Rise Electronic Faucet models, see Electronic - Delta HDF

SPECIFICATION:

- CAST BRASS one piece body with Integral waterproof sensor and connector
- H²Optics® technology- no external adjustments required
- Serviceable filter upstream of the solenoid valve
- Metal hold-down package
- Adjustable sensing range and timeout
- BATTERY OPERATED (4 'C' cell, except when -HP selected) infrared electronic handwash
- Audible low battery indicator
- Chrome Finish
- Spout#: 2 - 4" (102mm) Cast Brass Electronic Faucet
- Outlet#: 2 - Vandal Resistant Laminar Flow Outlet- 1.5 USGPM (5.7 L/Min) flow rate at 60 psi- with Antimicrobial by AgION™
- Vandal Resistant RECESS Mounted 10" x 10" Metal Box for solenoid, controller and THERMOSTATIC MIXING VALVE-with Metal Cover

OPERATION:

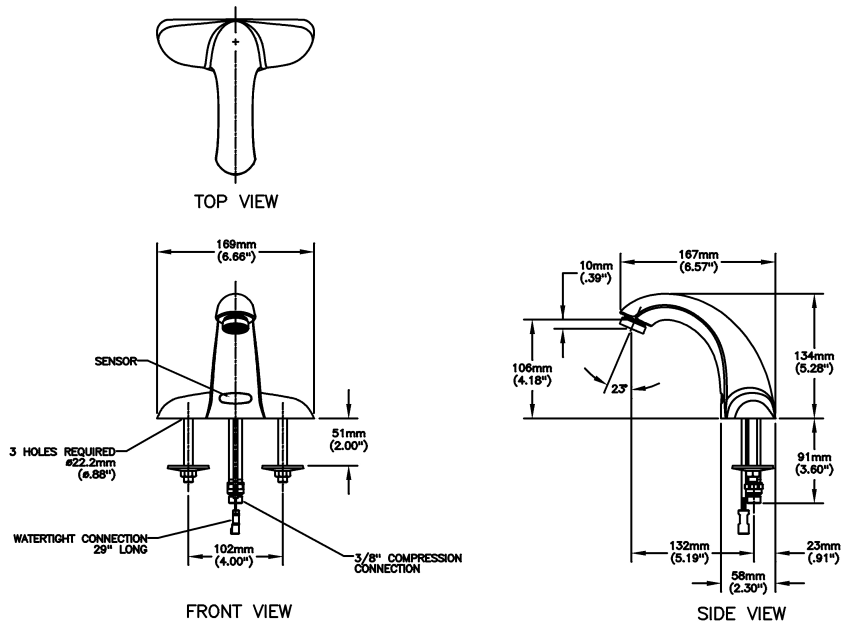
- Hands free (touchless) operation
- Water flows when sensor is activated
- Water flow stops upon deactivation of sensor
- Auto shut-off feature that is selectable between 15 to 75 seconds- factory set to 45 seconds- will reset once obstruction is removed
- Adjustable sensing distance from 76 to 381 mm (3" to 15")- factory set to 229 mm (9" plus or minus 1")
- Low battery audible beep- will activate after faucet shuts off when approximately 1500 cycles remain.

(Dimensional drawing on following page)

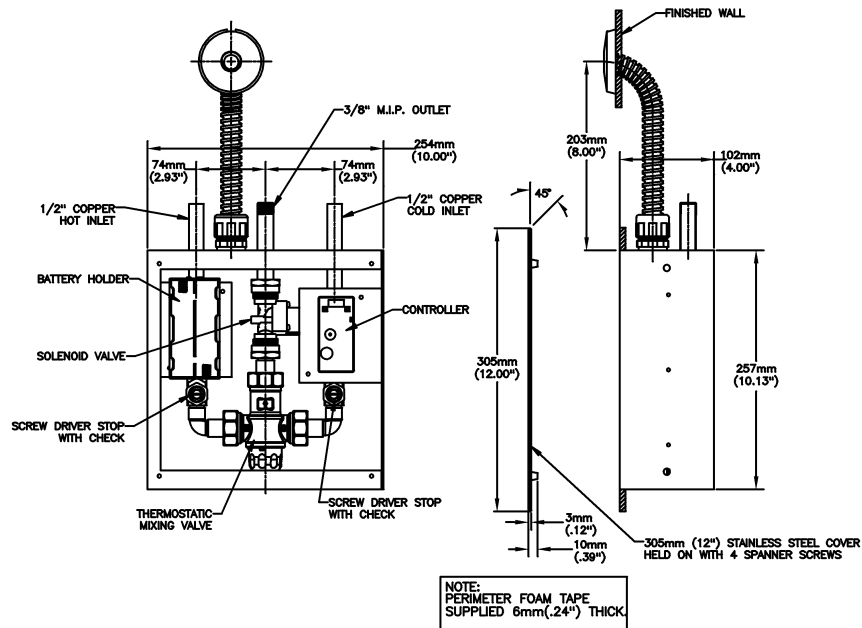
Delta reserves the right (1) to make changes to specifications and materials, and (2) to change or discontinue models, both without notice or obligation. Dimensions are for reference. Measurement may vary plus or minus 6mm(0.25"). Mounting locations are suggested only. Check with local codes for requirements in your area. This spec was produced November 03, 2011.

Delta Faucet Company - 55 East 111th St. - Indianapolis, Indiana, USA 46280 - (317) 848-1812
Delta Faucet Canada - 395 Matheson Blvd E - Mississauga, Ontario, Canada L4Z 2H2 - (905) 712-3030

Model No: 591T1228



NOTE:
 1. ALL DIMENSIONS ARE IN MM
 2. DIMENSION INSIDE ϕ ARE IN INCHES.



Delta reserves the right (1) to make changes to specifications and materials, and (2) to change or discontinue models, both without notice or obligation. Dimensions are for reference. Measurement may vary plus or minus 6mm(0.25"). Mounting locations are suggested only. Check with local codes for requirements in your area. This spec was produced November 03, 2011.

Delta Faucet Company - 55 East 111th St. - Indianapolis, Indiana, USA 46280 - (317) 848-1812
 Delta Faucet Canada - 395 Matheson Blvd E - Mississauga, Ontario, Canada L4Z 2H2 - (905) 712-3030