



Battery/Hard Wire Lavatory Faucets

Innovations® 3 hole 4" centerset battery operated faucet with anti-rotational forged coverplate - vandal resistant 0.5 gpm spray outlet - H2Optics® technology

Model No: 591-LGHGMHDF

COMPLIES WITH:

- ASME A112.18.1
- CSA B125
- Wheelchair symbol indicates ADA compliance to ICC/ANSI A117.1
- NOTE: For optimal performance of this product, we recommend a system pressure between 20 and 80 PSI static. The product will operate up to a maximum of 125 PSI static per ANSI and CSA requirements. However, we do not recommend pressures above 80 PSI. Thermal expansion or leaking pressure reducing valves may require use of expansion tanks or relief valves to ensure your system never exceeds it's maximum intended pressure setting.
- U.S. Patent # 6,826,455
- (Contact Delta Representative for State and/or Local Approvals)



NOTES:

UNITS CONVERTED TO HARD WIRE ALSO REQUIRE A MULTI-UNIT TRANSFORMER, TO BE PURCHASED SEPARATELY:

RP32856
OR
RP32508

SPECIFICATION:

- Hands free (touchless) on/off operation.
- H2Optics® technology
- No external adjustments required
- All metal faucet construction
- 5 1/4" long rigid spout
- No lift rod hole
- Vandal resistant 0.5 gpm (1.9 L/min) spray outlet
- Powered by 4 "AA" batteries
- 4" (102mm) centers - 2-1/2" x 7" (64 mm x 178 mm) forged coverplate with locking mechanism (anti-rotation)
- 3 hole installation
- Chrome Finish
- Battery

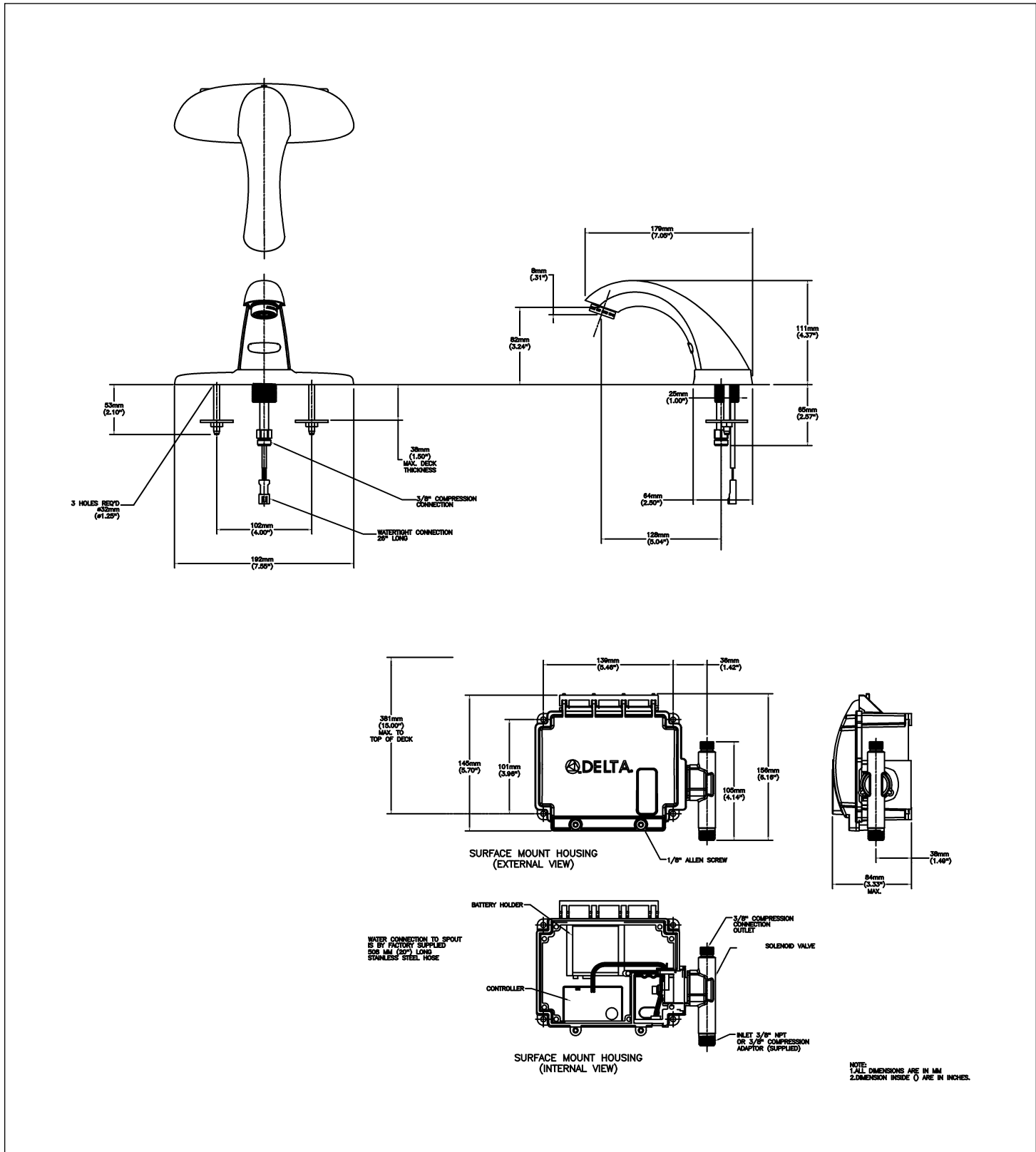
OPERATION:

- Low battery audible beep will activate after faucet shuts off when approximately 1500 cycles remain
- Operates with a 45 second maximum run time. Will reset once obstruction is removed.
- Serviceable filter screen upstream of the valve

(Dimensional drawing on following page)

Delta reserves the right (1) to make changes to specifications and materials, and (2) to change or discontinue models, both without notice or obligation. Dimensions are for reference. Measurement may vary plus or minus 6mm(0.25"). Mounting locations are suggested only. Check with local codes for requirements in your area. This spec was produced November 02, 2011.

Model No: 591-LGHGMHDF



Delta reserves the right (1) to make changes to specifications and materials, and (2) to change or discontinue models, both without notice or obligation. Dimensions are for reference. Measurement may vary plus or minus 6mm(0.25"). Mounting locations are suggested only. Check with local codes for requirements in your area. This spec was produced November 02, 2011.

Delta Faucet Company - 55 East 111th St. - Indianapolis, Indiana, USA 46280 - (317) 848-1812
 Delta Faucet Canada - 395 Matheson Blvd E - Mississauga, Ontario, Canada L4Z 2H2 - (905) 712-3030