



## Electronic Faucets



### Model No: 590TP1150

#### COMPLIES WITH:

- CSA certified
- Complies to ASME A112.18.1
- ADA Compliant and meets Handicapped Accessibility Standard ASME A117.1 of less than 5 lbs. handle operating force.
- IAPMO listed
- U.S. Patent #6, 826, 455.
- (Contact Delta Representative for State and/or Local Approvals)



#### NOTES:

Verified to <0.25% Pb average wetted surface regulations

#### SPECIFICATION:

- Deck mount electronic Proximity™ Sensing lavatory faucet
- Outlet#: 5 - Vandal Resistant Non-Aerating Spray Outlet -0.5 USGPM (1.9 L/min) Flow Rate at 60 psi- pressure compensating
- Cast Hi-Rise Spout-Single Hole Installation
- Battery powered (4 "C" cell batteries, except when -HP selected)
- Solenoid (forged brass) and Controller in Plastic Surface Mount Housing- REQUIRES SINGLE TEMPERED WATER SUPPLY

#### OPERATION:

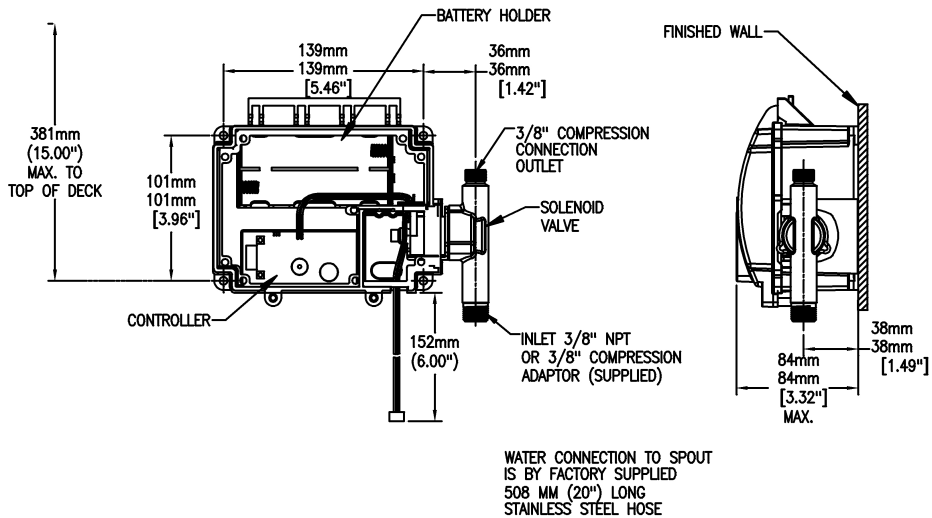
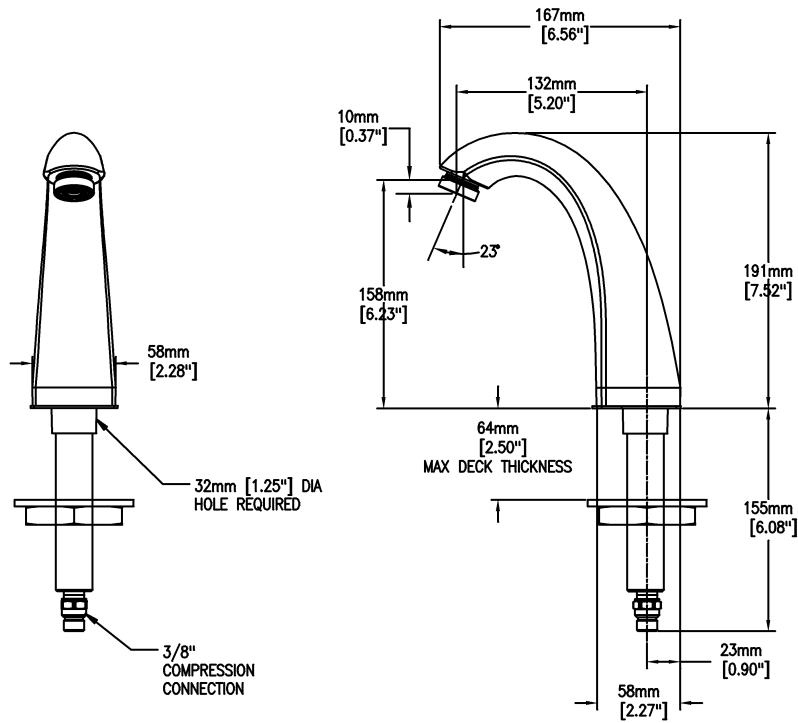
- Hands free (touchless) operation.
- No visible sensor, the spout is the sensor.
- Water flows when sensing is activated.
- Water flow stops upon de-activation of sensing.
- Auto shut-off feature. Factory set to 45 seconds. Will reset once obstruction is removed.
- Adjustable sensing distance 0 to 89 mm (0 to 3.5") factory set to 89 mm (3.5") (± 1/8")
- NOTE: For optimum performance of this product, we recommend a system pressure between 20 and 80 PSI static. This product will operate up to a maximum of 125 PSI static per ANSI and CSA requirements. However, we do not recommend pressures above 80 PSI. Thermal expansion or leaking pressure reducing valves may require use of expansion tanks or relief valves to ensure your system never exceeds its maximum intended pressure setting.
- Low battery audible beep (for battery models only) will activate after faucet shuts off when approximately 1500 cycles remain.

***(Dimensional drawing on following page)***

Delta reserves the right (1) to make changes to specifications and materials, and (2) to change or discontinue models, both without notice or obligation. Dimensions are for reference. Measurement may vary plus or minus 6mm(0.25"). Mounting locations are suggested only. Check with local codes for requirements in your area. This spec was produced November 02, 2011.

Delta Faucet Company - 55 East 111th St. - Indianapolis, Indiana, USA 46280 - (317) 848-1812  
Delta Faucet Canada - 395 Matheson Blvd E - Mississauga, Ontario, Canada L4Z 2H2 - (905) 712-3030

Model No: 590TP1150



Delta reserves the right (1) to make changes to specifications and materials, and (2) to change or discontinue models, both without notice or obligation. Dimensions are for reference. Measurement may vary plus or minus 6mm(0.25"). Mounting locations are suggested only. Check with local codes for requirements in your area. This spec was produced November 02, 2011.

Delta Faucet Company - 55 East 111th St. - Indianapolis, Indiana, USA 46280 - (317) 848-1812  
 Delta Faucet Canada - 395 Matheson Blvd E - Mississauga, Ontario, Canada L4Z 2H2 - (905) 712-3030