



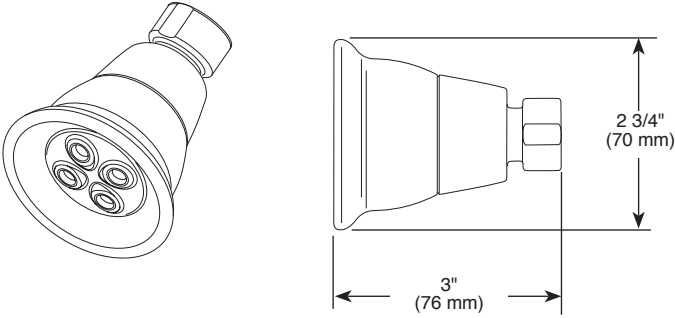
SHOWERHEAD
 ■ One Spray Showerhead

Submitted Model No.: _____


Specific Features: _____

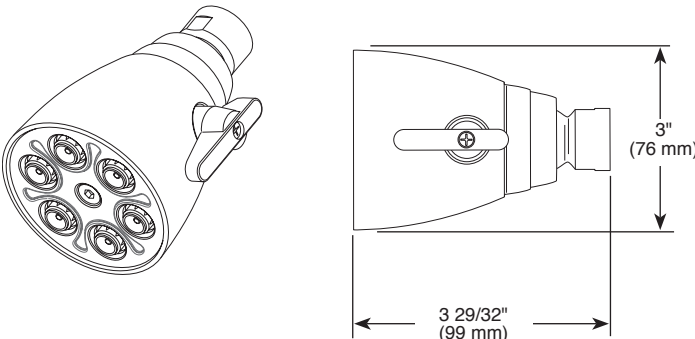
52653-▲PK 1.5 GPM Showerhead 

 Full Body Spray



52667-▲PK 2.5 GPM Showerhead

 Full Body Spray



▲ Designate proper finish suffix

STANDARD SPECIFICATIONS

- One spray showerhead.
- 2 1/2" diameter spray face: 52667.
- 2 1/4" diameter spray face: 52653.
- 2.5 GPM Maximum at 80 psi (9.5L/min @ 552 kPa).
- 1.5 GPM Maximum at 80 psi (5.7L/min @ 552 kPa).

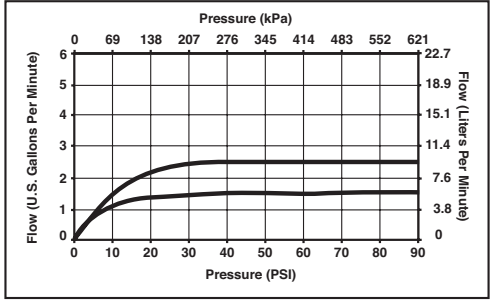
WARRANTY

- Lifetime limited warranty on parts (other than electronic parts and batteries) and finishes: or, for commercial users, for 5 years from date of purchase.
- 5 year limited warranty on electronic parts (other than batteries); or, for commercial users, for 1 year from the date of purchase. No warranty is provided on batteries.



COMPLIES WITH:

- ASME A112.18.1 / CSA B125.1
- EPA WaterSense®



Delta reserves the right (1) to make changes in specifications and materials, and (2) to change or discontinue models, both without notice or obligation. Dimensions are for reference only. See current full-line price book or www.specselect.com for finish options and product availability.

